

MICRO SWITCH

FREEMONT ILLINOIS U.S.A.
A DIVISION OF HONEYWELL
FED. MFG. CODE 91929

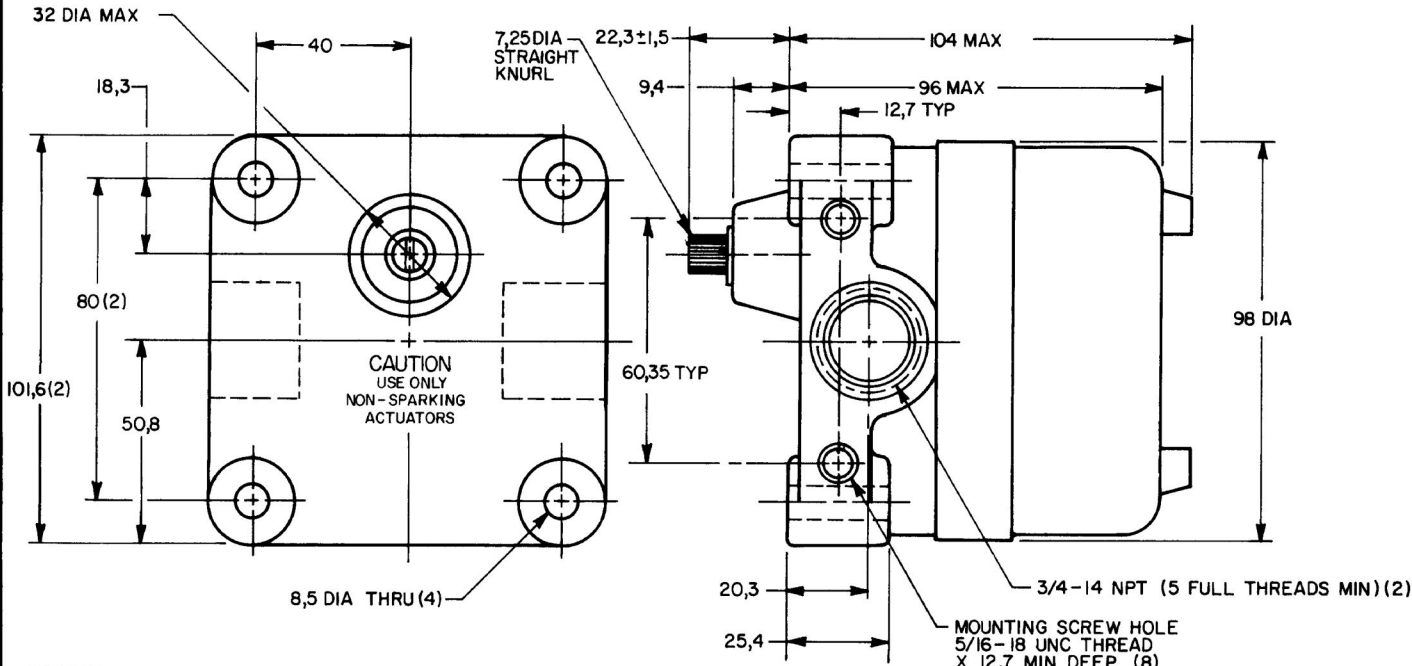
SWITCH - ENCLOSED

CATALOG LISTING
11CX 12CX
SERIES CHART 5

CONVERSION CHART

7,25	.285
7,29	.287
7,92	.312
8,5	.33
9,4	.37
12,7	.50
17,8	.70
18,3	.72
20,3	.80
22,3±1,5	.880±.059
25,4	1.00
32,0	1.26
40,0	1.57
50,8	2.00
60,35	2.38
80,0	3.15
96,0	3.78
98,0	3.86
101,6	4.00
104,0	4.09
1,25 Nm	.922 PF
0,113 Nm	.083 PF
1,13 Kg	2.49 LB

M11CX 12CX SERIES
 CHART 5
 PAGE 1 OF 1
 RELEASE NO. PR-1471
 DRAWING NUMBER
 ISSUE
 X 2
 X 9
 X 8
 X 9



- NOTES**
- 1 - EXPLOSION PROOF-UNDERWRITERS LAB INC LISTING FOR HAZARDOUS LOCATIONS CLASS I, GROUPS C & D; CLASS II, GROUPS E, F AND G
 - 2 - ALUMINUM ENCLOSURE FINISHED WITH BLUE AND BLACK EPOXY PAINT
 - 3 - 6-32 UNC X 7,92 REF PAN HEAD TERMINAL SCREW AND LOCK WASHER (SEMS TERMI-LOX) (3 PER BASIC)
 - 4 - CAMS MAY BE REPOSITIONED IN 7°20' INCREMENTS
 - 5 - FOR USE IN TEMPERATURES UP TO 85°C
 - 6 - SEE (M) 7CX CHARTS 1 AND 2 FOR LEVER ACTUATORS

REVISIONS
 A PR14731
 17 APR 86 K E W
 B PR14806
 23 MAY 86 T S K
 C CO59786
 9 JUL 88 W J K
 D PR15164
 31 OCT 88 J A S
 E CO61401
 17 APR 87 O A W
 F CO60111
 21 MAR 85 J A K
 G PR 22716
 24 MAR 85 S J W
 H PR23515
 7 JUL 98 J A T
 J CO95297
 3 JUL 99 G J W

THIS DRAWING COVERS A PROPRIETARY ITEM AND IS THE PROPERTY OF MICRO SWITCH A DIVISION OF HONEYWELL THIS DRAWING IS NOT TO BE COPIED OR USED WITHOUT THE APPROVAL OF MICRO SWITCH

CHARACTERISTICS	11CX	12CX	CONTACT ARRANGEMENT SPDT (EACH BASIC)
OPERATING FORCE	1,25 Nm MAX	1,25 Nm MAX	
RELEASE FORCE	0,113 Nm MIN	0,113 Nm MIN	
PRETRAVEL	15° MAX	15° MAX	
DIFFERENTIAL TRAVEL	10° MAX	10° MAX	
OVERTRAVEL	90° MIN	90° MIN	

SCALE 3/4 TO 1

DO NOT SCALE PRINT

TOLERANCES
APPLY TO DIMENSION LINES. CONVERSIONS ARE ONLY FOR REFERENCE UNLESS NOTED. TOLERANCES ARE:

DIM	TOL	DIM	TOL
ONE PLACE	±.04	ONE PLACE	±.04
TWO PLACES	±.01	TWO PLACES	±.01
THREE PLACES	±.005	THREE PLACES	±.005

DESIGN UNITS: METRIC US CUSTOMARY

THIRD ANGLE PROJECTION

WEIGHT 1,13 Kg APPROX

CAT. LIST.	DESCRIPTION	ELECTRICAL DATA
		UL LISTED-FILE E14274 L23 20A 125, 250, OR 480 VAC 10A 125 VAC "L" 1 HP 125 VAC, 2 HP 250 VAC 1/2 A 125 VDC, 1/4 A 250 VDC
12CX5A	2 BASICS; 1 OPERATES CLOCKWISE ONLY; 1 OPERATES COUNTER CLOCKWISE ONLY	Ⓢ
12CX2A-2A	2 BASICS, EACH OPERATES CLOCKWISE AND COUNTER CLOCKWISE	
12CX5A-2A	2 BASICS, 1 OPERATES CLOCKWISE ONLY; 1 OPERATES COUNTER CLOCKWISE ONLY	L96
11CX2A	2 BASICS; EACH OPERATES CLOCKWISE & COUNTER CLOCKWISE	
11CX1A	1 BASIC, OPERATES CLOCKWISE AND COUNTER-CLOCKWISE	15A 125, 250 OR 480 VAC 1/8HP 125 VAC, 1/4HP 250 VAC 1/2A 125 VDC, 1/4A 250 VDC

