

Incoming terminal PKZ2

Part no.
Article no.

BK50/3-PKZ2
033941



Powering Business Worldwide™

For three-phase commoning link, protected against accidental contact

$U_e = 690\text{ V}$, $I_u = 120\text{ A}$

Delivery programme

Product range			Accessories: PKZ2 System - PRODUCT DISCONTINUATION IN 2012
Accessories			Incoming terminal
			for three-phase commoning link Protection against direct contact. $U_e = 690\text{ V}$, $I_u = 120\text{ A}$
Notes			
For connection of:			
max. $1 \times 50\text{ mm}^2$ or $2 \times 35\text{ mm}^2$;			
above one another min. $1 \times 1\text{ mm}^2$ or $2 \times 1\text{ mm}^2$			

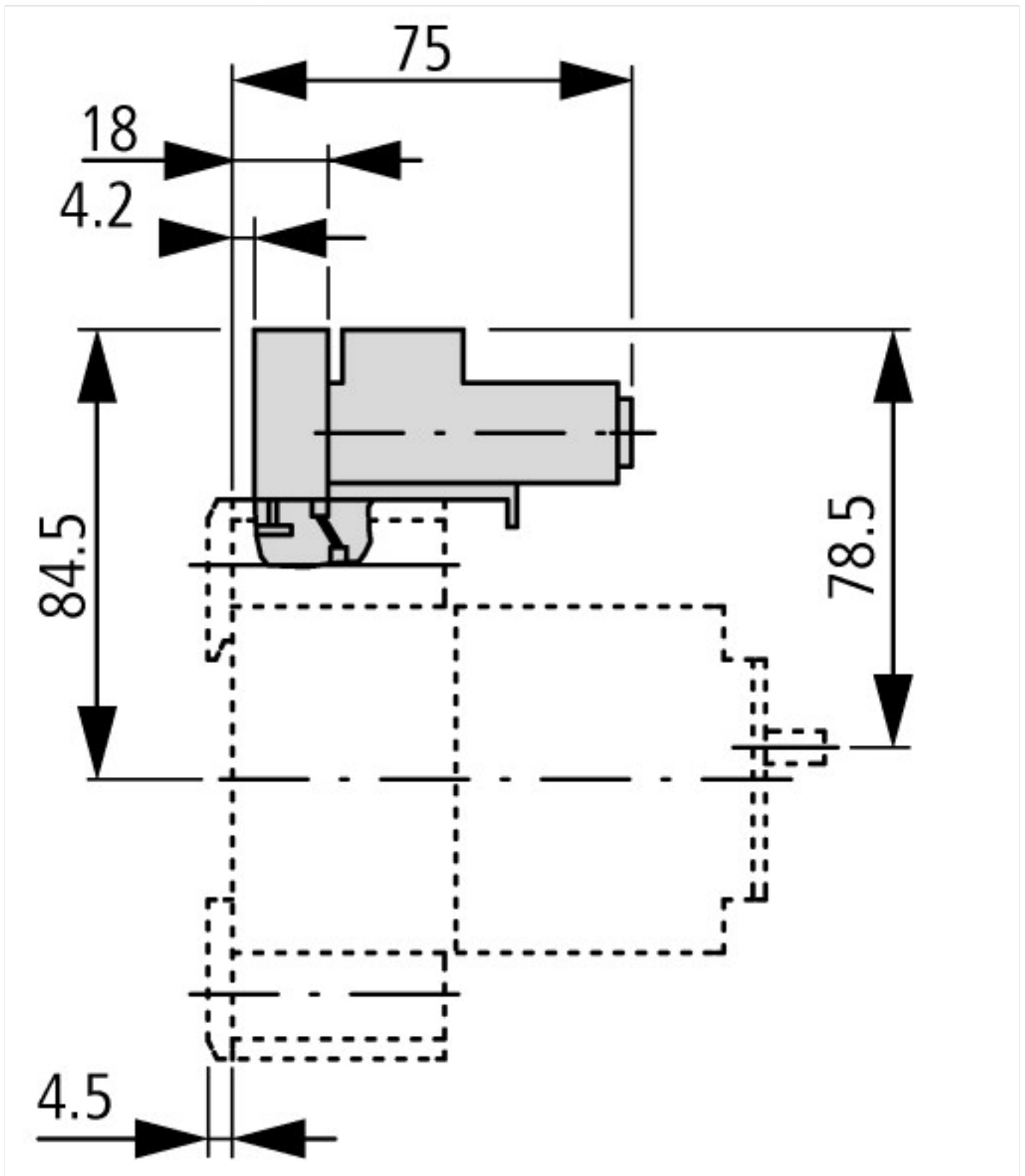
Approvals

Product Standards	UL 508; CSA-C22.2 No. 14; IEC60947-4-1; CE marking
UL File No.	E36332
UL CCN	NLRV
CSA File No.	98494
CSA Class No.	3211-06
NA Certification	UL listed, CSA certified
Specially designed for NA	No

Technical data ETIM 4.0

Suitable for			-
Max. conductor cross-section		mm^2	50
Width of terminal		mm	62.5
Busbar width		mm	0
Busbar thickness		mm	0
Suitable for flat cable connection			No
Suitable for round cable connection			YES
Suitable for sector cable connection			No
Max. rated operational current I_e		A	120

Dimensions



Additional product information (links)

Motor starters and "Special Purpose Ratings" for the North American market

http://www.moeller.net/binary/ver_techpapers/ver953en.pdf

Busbar Component Adapters for modern Industrial control panels

http://www.moeller.net/binary/ver_techpapers/ver960en.pdf