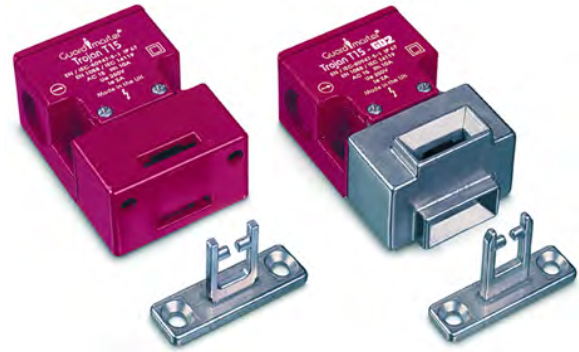


## Trojan T15 Tongue Interlock Switches

The Trojan T15 tongue interlock switches have the following features:

- Compact size, 75 x 52 x 32 mm (2.95 x 2.05 x 1.26 in.) case.
- 30 N actuator retention force
- Strong and versatile, can be used in most applications.
- Contacts: 2 N.C. safety or 1 N.C. safety and 1 N.O. auxiliary.
- GD2 style available for difficult applications



## Specifications

Attribute	Value			
<b>Safety Ratings</b>				
Standards	ISO 14119, IEC 60947-5-1			
Safety classification	Type 2 Interlocking Device per ISO 14119			
Functional safety data	Visit <a href="http://literature.rockwellautomation.com/idc/groups/literature/documents/sr/safety-sr001_-en-e.pdf">http://literature.rockwellautomation.com/idc/groups/literature/documents/sr/safety-sr001_-en-e.pdf</a>			
Certifications	c-UL-us Listed, TÜV Certified, and CE Marked for all applicable directives <a href="http://www.rockwellautomation.com/certification/overview.page">www.rockwellautomation.com/certification/overview.page</a>			
<b>Outputs</b>				
Safety contacts <sup>(1)</sup> Direct Opening Action	2 N.C.			2 N.C.
Auxiliary contacts	None			1 N.O.
Thermal current/ <i>I<sub>th</sub></i>	10 A			
Rated insulation voltage (U <sub>i</sub> )	2500V			
Switching current @ voltage	3 mA @ 18V DC, min			
<b>Utilization Category</b>				
A600/AC-15 (Ue)	600V	500V	240V	120V
A600/AC-15 (Ie)	1.2 A	1.4 A	3.0 A	6.0 A
DC-13 (Ue)	24V			
DC-13 (Ie)	2 A			
<b>Operating Characteristics</b>				
Break contact force	30 N (6.70 lbf), min			
Actuation speed	160 mm (6.29 in.)/s, max			
Actuation frequency	2 cycles/s, max			
Operating radius	175 mm (6.89 in.) [60 mm (2.36 in.) with GD2 kit], min			
Mechanical life	1,000,000 operations			
<b>Environmental</b>				
Enclosure type rating	IP67			
Operating temperature	-20...+80 °C (-4...+176 °F)			
<b>Physical Characteristics</b>				
Housing material	UL approved glass-filled PBT			
Actuator material	Stainless Steel			
Weight	120 g (0.265 lb)			
Color	Red			

(1) The safety contacts are described as normally closed (N.C.) for example, with the guard closed, actuator in place (where relevant) and the machine able to be started.

## Product Selection

Type	Contact		Contact Action	Actuator Type	Cat. No.			
	Safety	Auxiliary			M20 Conduit		Connector <sup>(1)</sup>	
					M20	1/2 inch NPT Adapter	Connect to Distribution Box 4-pin Micro (M12)	Connect to ArmorBlock Guard I/O 5-pin Micro (M12)
Trojan T15 Standard Switch	2 N.C.	—	—	Standard	440K-T11303	440K-T11267	440K-T11307	440K-V2NNSPS
				Fully flexible	440K-T11395	440K-T11273	440K-T11384	440K-V2NNBPS
				—	440K-T11269	—	440K-T11385	—
	1 N.C.	1 N.O.	BBM	Standard	440K-T11305	440K-T11268	440K-T11386	—
				Fully flexible	440K-T11396	440K-T11276	440K-T11387	—
				—	440K-T11270	—	440K-T11388	—
Trojan T15 GD2 Switch	2 N.C.	—	—	GD2 Standard	440K-T11463	440K-T11288	440K-T11389	440K-V2NNGPS-NG
				Fully flexible	440K-T11397	440K-T11287	440K-T11390	—
				—	440K-T11280	—	440K-T11391	—
	1 N.C.	1 N.O.	BBM	GD2 Standard	440K-T11398	440K-T11284	440K-T11392	—
				Fully flexible	440K-T11399	440K-T11283	440K-T11393	—
				—	440K-T11279	—	440K-T11394	—

(1) For connector ratings, see [Table 33](#) on [page 84](#).

**Table 35 - Connection Systems**

Description	Cat. No.		
	Connection to Distribution Box 4-pin Micro (M12)		Connection to ArmorBlock Guard I/O 5-pin Micro (M12)
	1 N.C. & 1 N.O.	2 N.C.	2 N.C.
Cordset	889D-F4AC-x <sup>(1)</sup>	889D-F4AC-x <sup>(1)</sup>	—
Patchcord	889D-F4ACDM-y <sup>(2)</sup>	889D-F4ACDM-y <sup>(2)</sup>	889D-F5ACDM-x <sup>(1)</sup>
Distribution Box	898D-P4z KT-DM4 <sup>(3)</sup>	898D-4z LT-DM4 <sup>(3)</sup>	—
Shorting Plug	898D-41KU-DM	898D-41LU-DM	—
T-Port	898D-43KY-D4	898D-43LY-D4	—

(1) Replace x with 2 [2 m (6.56 ft)], 5 [5 m (16.4 ft)], or 10 [10 m (32.8 ft)] for standard cable lengths.

(2) Replace y with 1 [1 m (3.28 ft)], 2 (2 m), 3 [3 m (9.8 ft)], 5 (5 m), or 10 (10 m) for standard cable lengths.

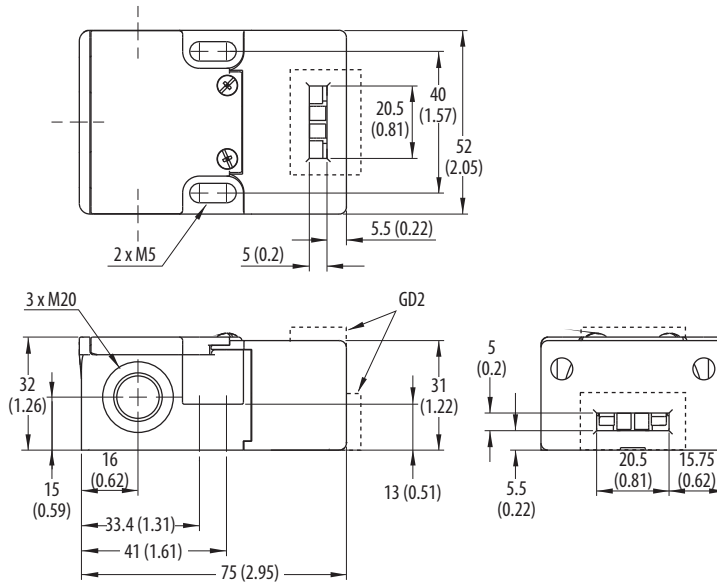
(3) Replace z with 4 or 8 for number of ports.

## Accessories

Description	To Be Used With	Cat. No.
	Standard actuator	Trojan T15 Standard Models Only
	GD2 standard actuator	Trojan GD2 Models Only
	GD2 flat actuator	Trojan GD2 Models Only
	Alignment guide with semi-flexible actuator	Discard Alignment Guide for GD2 Models
	Alignment guide with fully flexible actuator	Discard Alignment Guide for GD2 Models
	Sliding bolt actuator	Trojan GD2 Models Only
	Catch and Retainer Kit	Trojan T15 Standard Models Only
	Replacement Cover	All Models
	Dust Cover	All Models

## Approximate Dimensions

Dimensions are shown in mm (in.). Dimensions are not intended to be used for installation purposes. 2D, 3D, and electrical drawings are available on <https://ab.rockwellautomation.com/>.



## Typical Wiring Diagrams

Description	1 N.C. & 1 N.O.	1 N.C.
Contact Configuration		
Contact Action □ Open ■ Closed		
4-pin Micro (M12)		
5-pin Micro (M12)	—	

Description		1 N.C. & 1 N.O.	1 N.C.
Cordset 889D-F4AC-x <sup>(1)</sup>	Brown	Safety A	Safety A
	Blue		
	White	Aux A	Safety B
	Black		

(1) Replace x with 2 [2 m (6.56 ft)], 5 [5 m (16.4 ft)], or 10 [10 m (32.8 ft)] for standard cable lengths.