

11 Technical specifications

11.1 Data sheet

Tab. 28: Data sheet C4000

Minimum	Typical	Maximum
---------	---------	---------

General system data

Type	Type 4 (IEC 61496-1)		
Safety integrity level ²⁾	SIL3 (IEC 61508)		
SIL claim limit ²⁾	SILCL3 (EN 62061)		
Category	Category 4 (EN ISO 13849-1)		
Performance Level ²⁾	PL e (EN ISO 13849-1)		
PFHd (mean probability of a dangerous failure per hour)			
Standalone system ³⁾	15 × 10 ⁻⁹		
Cascaded system (host/guest)	43 × 10 ⁻⁹		
Cascaded system (host/guest/guest)	63 × 10 ⁻⁹		
T _M (mission time)	20 years (EN ISO 13849)		
Protection class	III (EN 50178) ⁴⁾		
Enclosure rating	IP 65 (EN 60529) ⁵⁾		
Protective field height, depending on type	300 mm to 1800 mm		
Resolution, depending on type	14 mm to 40 mm		
Protective field width			
Resolution 14 mm	0-8 m	0-10 m ⁶⁾	
Resolution 20, 30 or 40 mm	0-19 m	0-21 m ⁶⁾	
Supply voltage U _v at device ⁷⁾	19.2 V	24 V	28.8 V
Residual ripple ⁸⁾			± 10%
Synchronisation	Optical, without separate synchronisation		
Power-up delay of sender and receiver before ready			12 s

²⁾ For detailed information on the safety design of your machine/system, please contact your SICK subsidiary.

³⁾ These values apply to systems with a resolution of 14 mm. As a rule systems with other resolutions will achieve better results.

⁴⁾ Safety extra-low voltage SELV/PELV.

⁵⁾ Valid if all plug connections are closed.

⁶⁾ On the utilisation of this protective field width, it must be expected the orange LED will illuminate (cleaning or realignment required). The system then only has a reserve of 30%.

⁷⁾ The external voltage supply must be capable of buffering brief mains voltage failures of 20 ms as specified in EN 60204-1. Suitable power supplies are available as accessories from SICK.

⁸⁾ Within the limits of U_v.

C4000 Standard/Advanced

Minimum	Typical	Maximum
---------	---------	---------

 **Sender unit**

Test input			
Input voltage ⁹⁾ HIGH (active)	11 V	24 V	30 V
Input current HIGH	7 mA	10 mA	20 mA
Switching voltage LOW (inactive)	-30 V	0 V	5 V
Input current LOW ⁹⁾	-3.5 mA	0 mA	0.5 mA
Response time to test	Depending on the number of beams, maximum 150 ms		
Wavelength of sender		950 nm	
Power consumption			2 A (host/ guest/guest)
Weight	Depending on protective field height (see page 81)		

⁹⁾ As per IEC 61131-2.

Minimum	Typical	Maximum
---------	---------	---------

Receiver unit

Switching outputs (OSSDs)	2 PNP semiconductor, short-circuit protected ¹⁰⁾ , cross-circuit monitored		
Response time	See chapter 11.3 on page 78		
Switch off time	100 ms		
Switch on time	2.5 × response time (single system)		4.5 × response time (cascade)
Switching voltage ^{11) 12)} HIGH (active, U_{eff})	$U_V - 2.25\text{ V}$	24 V	U_V
Switching voltage ¹¹⁾ LOW (inactive)	0 V	0 V	2 V
Switching current	0 mA		500 mA
Leakage current ¹³⁾			0.25 mA
Load capacity			2.2 μF
Switching sequence	Depending on load inductance		
Load inductance ¹⁴⁾			2.2 H
Test pulse data ¹⁵⁾			
Test pulse width	120 μs	150 μs	300 μs
Test pulse rate	$3\text{ }^1/\text{s}$	$5\text{ }^1/\text{s}$	$10\text{ }^1/\text{s}$
Permissible line resistance between device and load ¹⁶⁾			2.5 Ω
Supply lead			1 Ω
Power consumption			3 A (host/guest/guest)

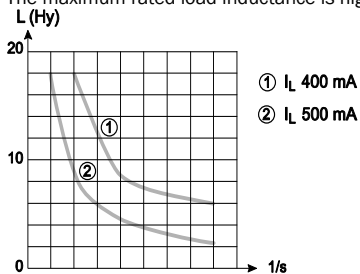
¹⁰⁾ Applies to the voltage range between -30 V and +30 V.

¹¹⁾ As per IEC 61131-2.

¹²⁾ On the device plug.

¹³⁾ In the case of a fault (0-V cable open circuit) the max. leakage current flows in the OSSD cable. The downstream controller must detect this status as LOW. A FPLC (Fail-safe Programmable Logic Controller) must be able to identify this status.

¹⁴⁾ The maximum rated load inductance is higher with lower switching sequence.



¹⁵⁾ When active, the outputs are tested cyclically (brief LOW). When selecting the downstream controllers, make sure that the test pulses do not result in deactivation when using the above parameters.

¹⁶⁾ Make sure to limit the individual line core resistance to the downstream controller to this value to ensure that a short-circuit between the outputs is safely detected. (Also note EN 60 204 Electrical Machine Equipment, Part 1: General Requirements.)

C4000 Standard/Advanced

	Minimum	Typical	Maximum
External device monitoring (EDM) input			
Input voltage ¹⁷⁾ HIGH (inactive)	11 V	24 V	30 V
Input current HIGH	6 mA	10 mA	20 mA
Input voltage ¹⁷⁾ LOW (active)	-30 V	0 V	5 V
Input current LOW	-2.5 mA	0 mA	0.5 mA
Contactors			
Permissible dropout time			300 ms
Permissible pick-up time			300 ms
Control input (reset button)			
Input voltage ¹⁷⁾ HIGH (active)	11 V	24 V	30 V
Input current HIGH	6 mA	10 mA	20 mA
Input voltage ¹⁷⁾ LOW (inactive)	-30 V	0 V	5 V
Input current LOW	-2.5 mA	0 mA	0.5 mA
Operation time control switch input	50 ms		
Devices with firmware \geq V3.36			
Operation time control switch input	200 ms		
Devices with firmware $<$ V3.36			
Output <i>Reset required</i>	PNP semiconductors, short-circuit protected ¹⁸⁾		
24 V lamp output			4 W/0.2 A
Switching voltage HIGH (active)	15 V	24 V	28.8 V
Switching voltage LOW (inactive)		High resistance	
Signal output (ADO)	PNP semiconductors, short-circuit protected ¹⁸⁾		
Switching voltage HIGH (active)	$U_V - 4.2$ V	24 V	U_V
Switching voltage LOW (inactive)		High resistance	
Switching current	0 mA		100 mA
Emergency stop/bypass			
Changeover time			2 s
Latency time			200 ms
Cable resistance			30 Ω
Cable capacitance			10 nF
Teach-in key-operated switch/ switch for deactivating the blinking			
Cable resistance			30 Ω
Cable capacitance			10 nF
Operation time (reset button)	240 ms		
Weight	Depending on protective field height (see page 81)		

¹⁷⁾ As per IEC 61131-2.¹⁸⁾ Applies to the voltage range between -30 V and +30 V.

Minimum	Typical	Maximum
---------	---------	---------

Operating data

System connection and extension connection	Hirschmann plug M26 × 11 + FE		
Alternative extension connection	Plug M12 × 8 + FE		
Cable length ¹⁹⁾			50 m
Wire cross-section		0.75 mm ²	
Bend radius			150 mm
Ambient operating temperature	0 °C		+55 °C
Air humidity (non-dewing)	15 %		95 %
Storage temperature	-25 °C		+70 °C
Housing cross-section	40 mm × 48 mm		
Rigidity	5 g, 10-55 Hz (EN 60 068-2-6)		
Shock resistance	10 g, 16 ms (EN 60 068-2-27)		

11.2 Data sheet C4000 Guest

At variance with 11.1 "Data sheet" for the C4000 Guest the following data apply.

Tab. 29: Data sheet C4000 Guest

Minimum	Typical	Maximum
---------	---------	---------

General system data

Protective field height, depending on type	150 mm to 1800 mm		
Resolution, depending on type	14 mm and 30 mm		
Protective field width			
Resolution 14 mm	0-8 m	0-10 m ²⁰⁾	
Resolution 30 mm	0-19 m	0-21 m ²⁰⁾	

☒ Sender unit

Weight	Depending on the protective field height (see page 81)		
--------	--	--	--

¹⁹⁾ Depending on load, power supply and wire cross-section. The technical specifications must be observed.

²⁰⁾ On the utilisation of this protective field width, it must be expected the orange LED will illuminate (cleaning or realignment required). The system then only has a reserve of 30%.

Minimum	Typical	Maximum
---------	---------	---------

Receiver unit

Output signal switching devices (OSSDs)	Not present
External device monitoring (EDM) input	Not present
Control switch input (reset button)	Not present
Output <i>Reset required</i>	Not present
Application diagnostic output (ADO)	Not present
Emergency stop/bypass	Not present
Teach-in key-operated switch/switch for deactivating the blanking	Not present
Weight	Depending on the protective field height (see page 81)

Operating data

Connection	Cable plug M12 × 7 + FE, 320 mm cable, maximum extension to 3 m		
Wire cross-section		0.25 mm ²	
Bend radius, rigid wiring			18 mm
Bend radius, flexible wiring			60 mm
Strain relief on the cable, static			90 N
Strain relief on the cable, dynamic			35 N

11.3 Response time

The response time depends on the following parameters:

- number of beams
- beam coding
- configuration of floating blanking
- number of cascaded systems
- the output signal switching device used (see section 11.3.1 “Different response times” on page 80)

How to determine the response time of the system:

- Read the response times of the individual systems (shown on type label). Note whether the system is operated with or without beam coding.

Note

If you are planning the application without actually having any devices available, you may also determine the response time using Tab. 31 and Tab. 32. When determining the number of beams in Tab. 31, the physical resolution is important. The physical resolution of the light curtain does not change even if fixed or floating blanking has been selected.

- Fill out the following table to determine the total response time.

Tab. 30: Determining the response time of a C4000 system

Line	Required detail		Response time
1	Host		ms
2	Guest 1		+ ms
3	Guest 2		+ ms
4	Only if floating blanking is used:	Greatest response time from lines 1 to 3: $\times 0.5 =$	+ ms
		Deduct 4 ms here.	- ms
5	If single guest is used, then add 8 ms here. (If no guest is used or two guests are used, do not add anything here.)		+ ms
6	Total response time to be taken into account (The total response time must be ≤ 108 ms!)		= ms

- Verify that the total response time determined is ≤ 108 ms. IEC 61496-1 does not permit response times exceeding 108 ms. If necessary, adjust the configuration.

C4000 Standard/Advanced

Example

Calculating the response time for a cascaded system without beam coding in which fields are configured with floating blanking:

Line	Required detail	Response time	
1	Host: 750 mm protective field height, resolution 14 mm	16 ms	
2	Guest 1: 300 mm protective field height, resolution 40 mm	+ 9 ms	
3	Guest 2: -	+ 0 ms	
4	Only if floating blanking is used:	Greatest response time from lines 1 to 3: $\underline{16 \text{ ms}} \times 0.5 =$	+ 8 ms
		Deduct 4 ms here.	- 4 ms
5	If single guest is used, then add 8 ms here. (If no guest is used or two guests are used, do not add anything here.)	+ 8 ms	
6	Total response time to be taken into account	= 37 ms	

Tab. 31: Number of beams depending on the protective field height and the physical resolution

Protective field height [mm]	Number of beams for physical resolution			
	14 mm	20 mm	30 mm	40 mm
150	20	-	8	-
300	40	30	15	10
450	60	45	23	15
600	80	60	30	20
750	100	75	38	25
900	120	90	45	30
1050	140	105	53	35
1200	160	120	60	40
1350	180	135	68	45
1500	200	150	75	50
1650	220	165	83	55
1800	240	180	90	60

Tab. 32: Response time as factor of the number of beams

Number of beams	Without beam coding	With beam coding
8	9 ms	11 ms
10	9 ms	11 ms
15	10 ms	12 ms
20	10 ms	13 ms
23	10 ms	14 ms
25	10 ms	14 ms
30	11 ms	15 ms
35	11 ms	16 ms
38	11 ms	17 ms
40	11 ms	17 ms
45	12 ms	18 ms
50	12 ms	19 ms
53	12 ms	20 ms
55	12 ms	20 ms
60	13 ms	21 ms
68	13 ms	22 ms
75	14 ms	24 ms
80	14 ms	25 ms
83	14 ms	25 ms
90	15 ms	27 ms
100	16 ms	29 ms
105	16 ms	30 ms
120	17 ms	33 ms
135	18 ms	36 ms
140	19 ms	37 ms
150	19 ms	39 ms
160	20 ms	40 ms
165	20 ms	41 ms
180	22 ms	44 ms
200	23 ms	48 ms
220	24 ms	52 ms
240	26 ms	56 ms

11.3.1 Different response times

In the following cases the total response time of a cascaded system is **reduced by 14 ms**:

- If interruption of the dangerous movement through the protective field of the guest can be excluded, i.e. if interruption is only possible by the host (e.g. if the guest is used for point-of-operation guarding; see Fig. 5 on page 16).

or

- If the interruption **through the protective field of the guest** can be assumed to be at a low approach speed (e.g. if the guest prevents reaching under the host).

Response time if external OSSDs are switched

If you use the OSSDs on another device via the EFI as external switching outputs (for example those on a sens:Control device), the response time will **increase by 4 ms**.

C4000 Standard/Advanced

11.4 Table of weights

11.4.1 C4000 Standard/Advanced

Tab. 33: Weight of sender and receiver C4000 Standard/Advanced

Protective field height [mm]	Weight [g]	
	☒ Sender	☒ Receiver
300	820	850
450	1100	1130
600	1390	1420
750	1670	1700
900	1960	1990
1050	2250	2280
1200	2530	2560
1350	2820	2850
1500	3110	3140
1650	3390	3420
1800	3680	3710

11.4.2 C4000 Standard/Advanced Guest

Tab. 34: Weight of sender and receiver C4000 Standard/Advanced Guest

Protective field height [mm]	Weight [g]	
	☒ Sender	☒ Receiver
150	540	570
300	820	850
450	1100	1130
600	1390	1420
750	1670	1700
900	1960	1990
1050	2250	2280
1200	2530	2560
1350	2820	2850
1500	3110	3140
1650	3390	3420
1800	3680	3710

11.4.3 Deflector mirrors PNS75 and PNS125

Tab. 35: Weight of the deflector mirrors PNS75 and PNS125

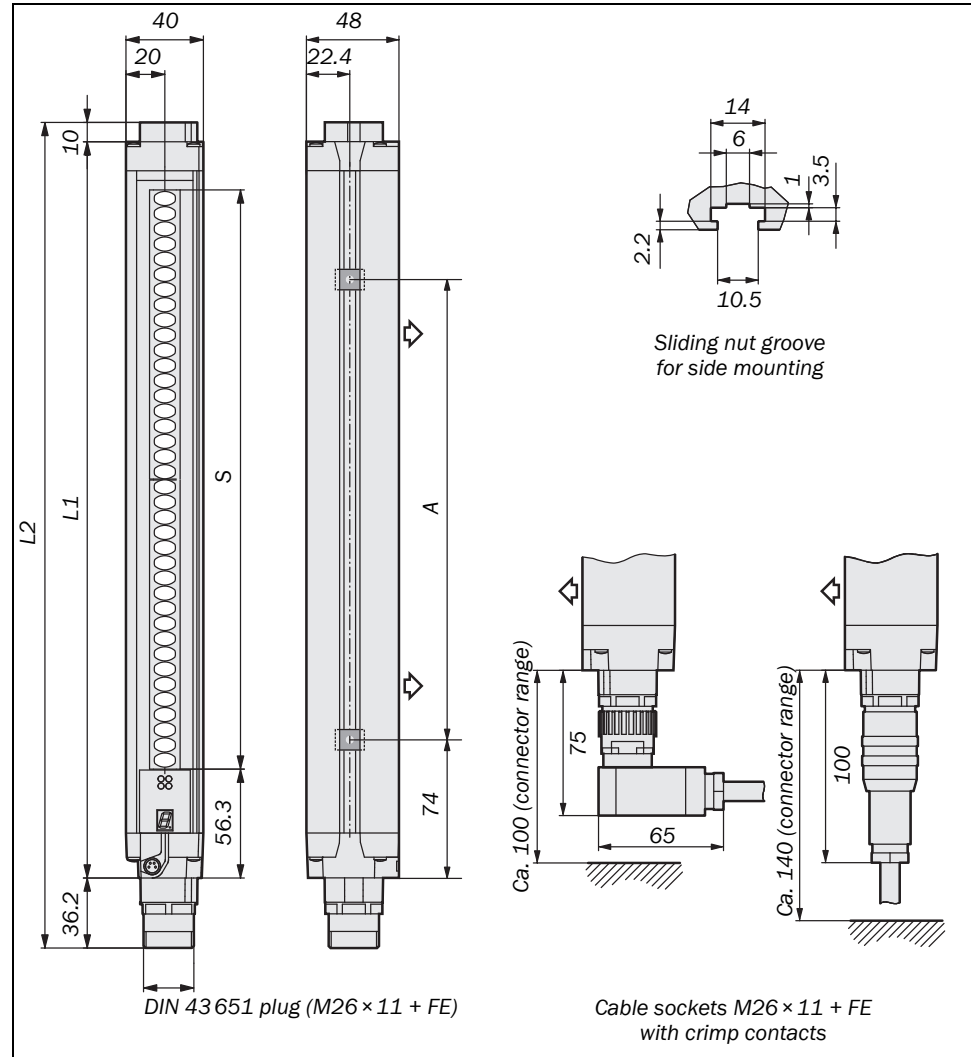
Mirror height [mm]	Weight [g]	
	PNS75	PNS125
340	1035	1580
490	1435	2190
640	1850	2820
790	2270	3450
940	2680	4080
1090	3095	4710
1240	3510	5345
1390	3925	5980
1540	4340	6610
1690	4755	7240
1840	5170	7870

C4000 Standard/Advanced

11.5 Dimensional drawings

11.5.1 C4000 Standard/Advanced without extension connection

Fig. 44: Dimensional drawing C4000 Standard/Advanced without extension connection, sender (mm)
Receiver, mirror image

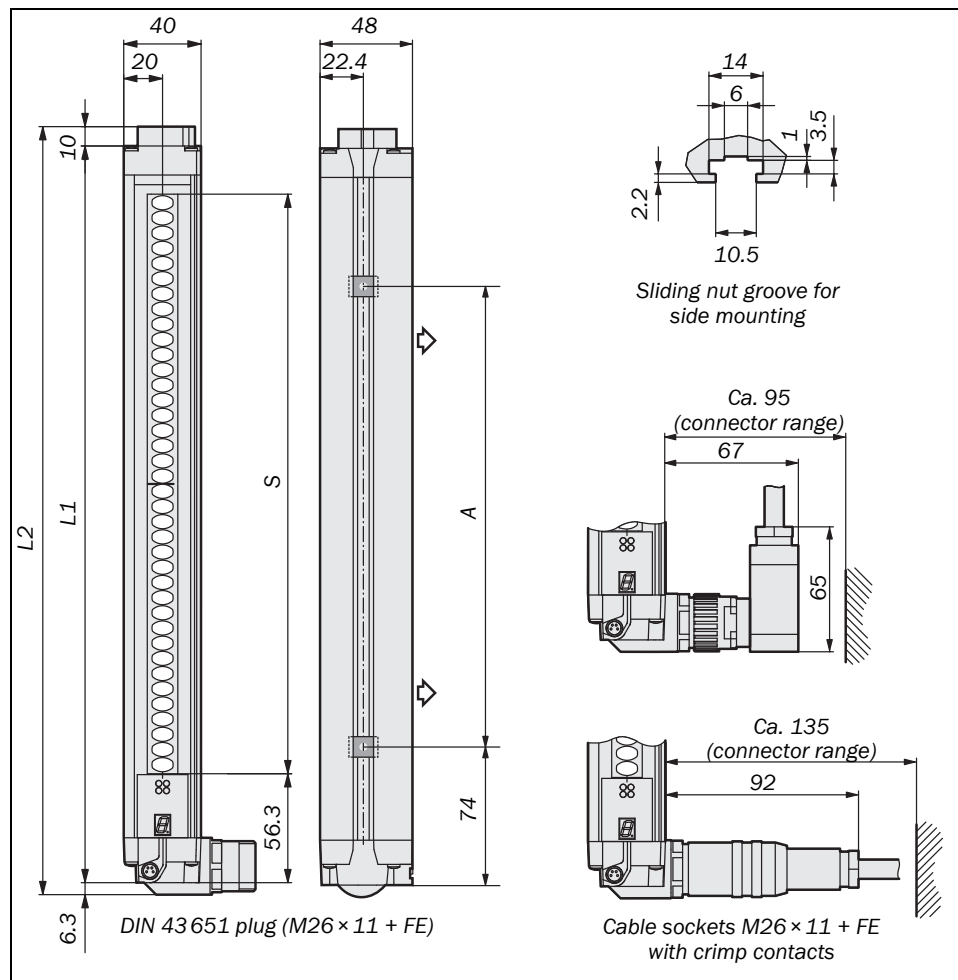


Tab. 36: Dimensions dependent on the protective field height, C4000 Standard/Advanced without extension connection

Protective field height S [mm]	Dimension L1 [mm]	Dimension L2 [mm]	Dimension A [mm]
300	381	427	224
450	532	578	374
600	682	728	524
750	833	879	674
900	984	1030	824
1050	1134	1180	974
1200	1283	1329	1124
1350	1435	1481	1274
1500	1586	1632	1424
1650	1736	1782	1574
1800	1887	1933	1724

11.5.2 C4000 Standard with angled system connection and without extension connection

Fig. 45: Dimensional drawing C4000 Standard, sender with angled system connection and without extension connection (mm)
Receiver, mirror image



Tab. 37: Dimensions dependent on the protective field height, C4000 Standard with angled system connection and without extension connection

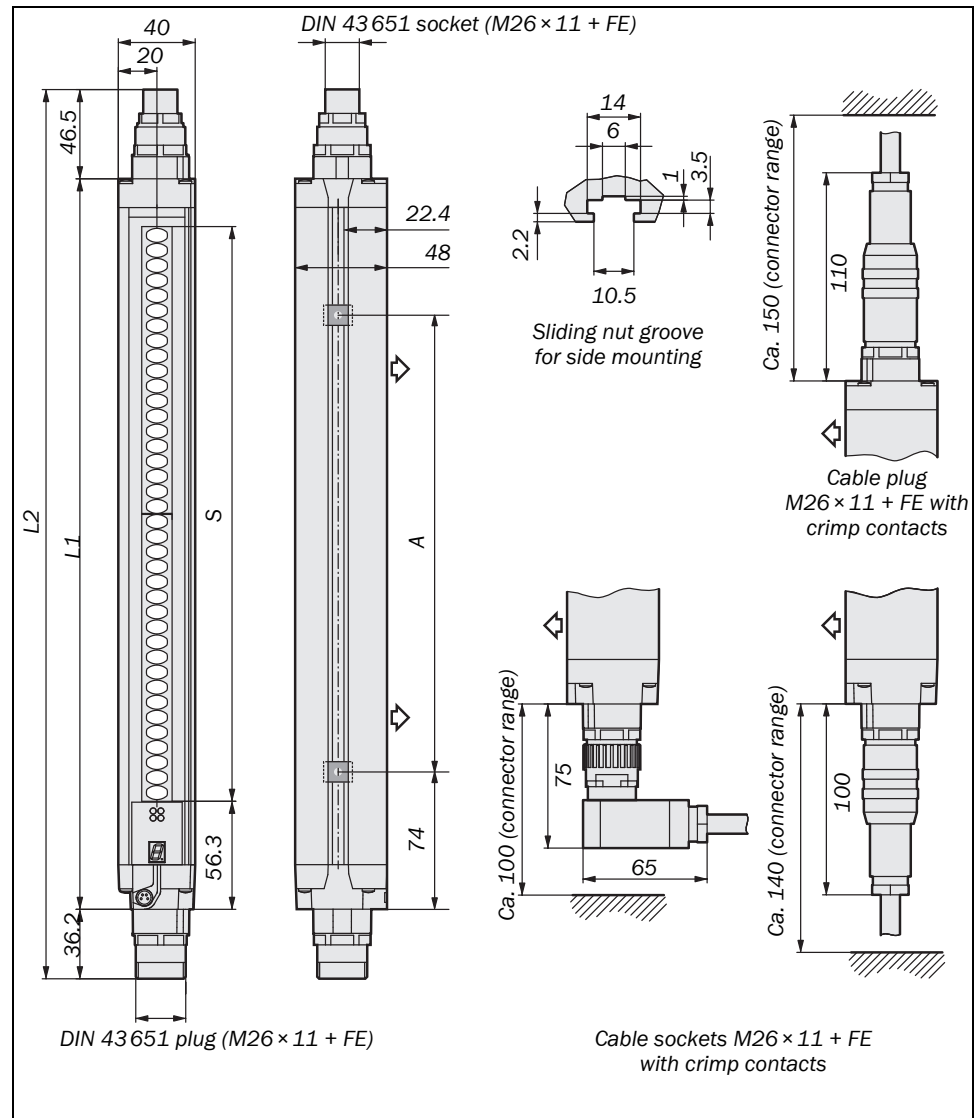
Protective field height S [mm]	Dimension L1 [mm]	Dimension L2 [mm]	Dimension A [mm]
300	381	397	224
450	532	548	374
600	682	698	524
900	984	1000	824
1050	1134	1150	974

Other systems on request.

C4000 Standard/Advanced

11.5.3 C4000 Standard/Advanced with M26 extension connection

Fig. 46: Dimensional drawing C4000 Standard/Advanced with M26 extension connection, sender (mm)
Receiver, mirror image

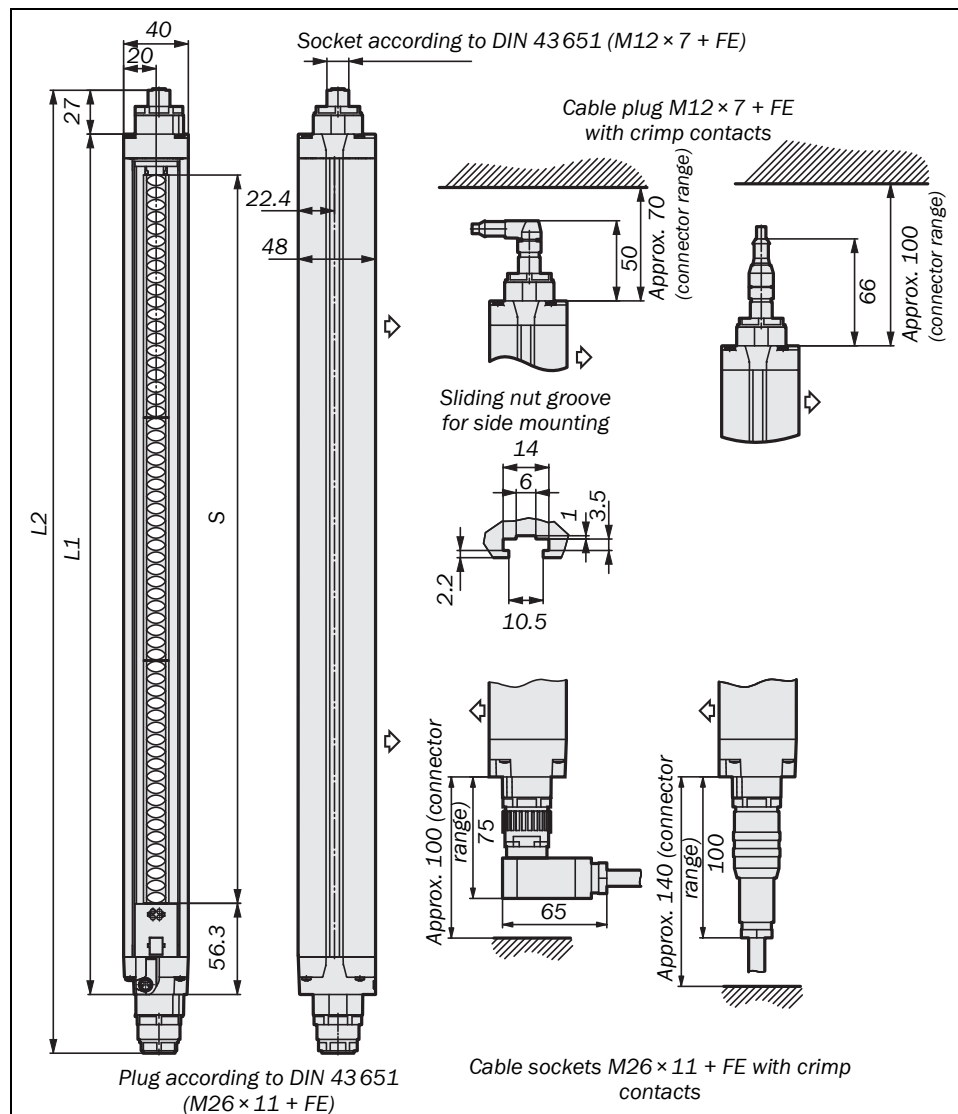


Tab. 38: Dimensions dependent on the protective field height S , C4000 Standard/Advanced with M26 extension connection

Protective field height S [mm]	Dimension $L1$ [mm]	Dimension $L2$ [mm]	Dimension A [mm]
300	381	464	224
450	532	614	374
600	682	765	524
750	833	915	674
900	984	1066	824
1050	1134	1216	974
1200	1283	1366	1124
1350	1435	1517	1274
1500	1586	1669	1424
1650	1736	1818	1574
1800	1887	1969	1724

11.5.4 C4000 Standard/Advanced with M12 extension connection

Fig. 47: Dimensional drawing C4000 Standard/Advanced with M12 extension connection, sender (mm) Receiver, mirror image



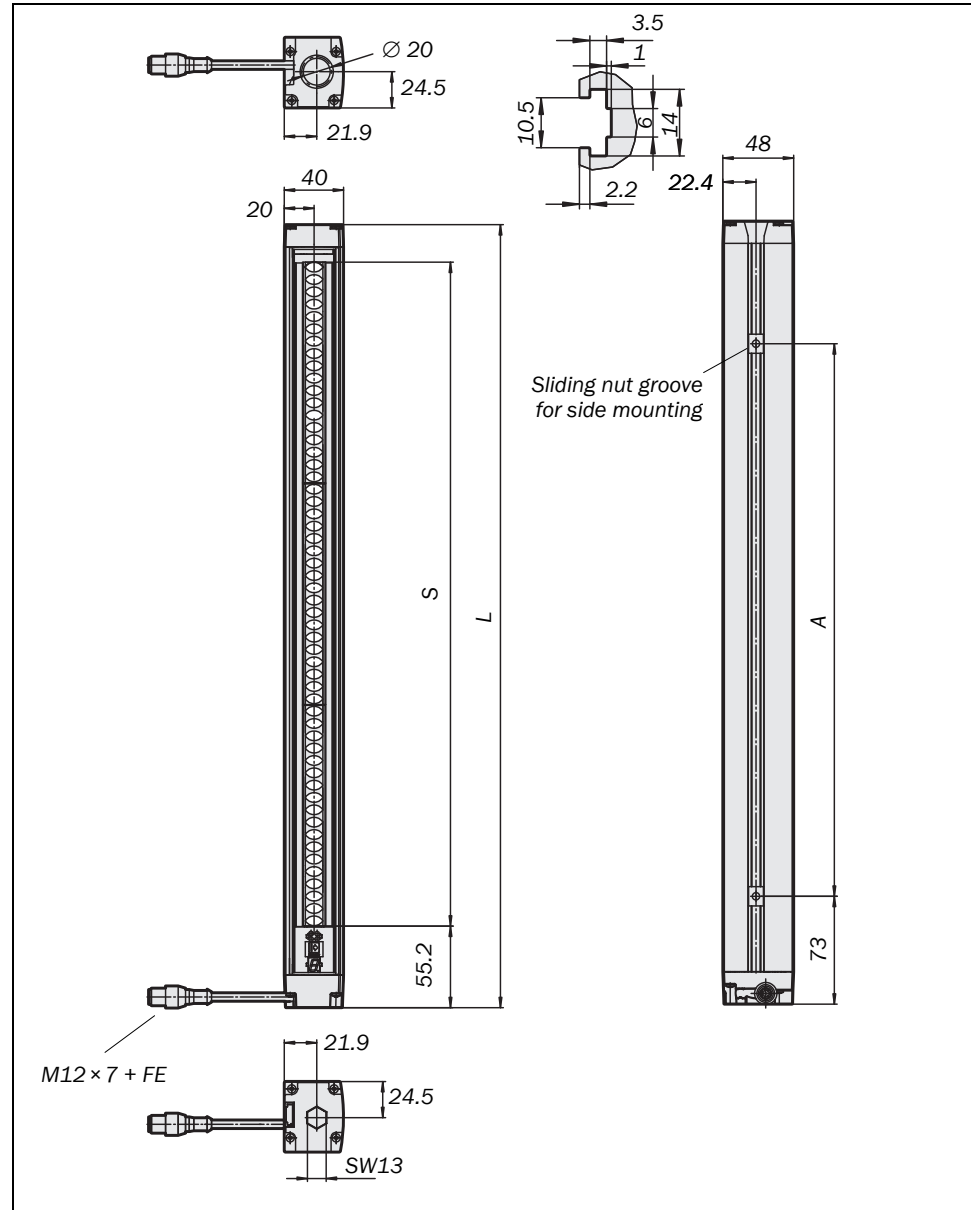
Tab. 39: Dimensions dependent on the protective field height, C4000 Standard/Advanced with M12 extension connection

Protective field height S [mm]	Dimension L1 [mm]	Dimension L2 [mm]
300	381	444
450	532	594
600	682	744
750	833	895
900	984	1046
1050	1134	1196
1200	1283	1346
1350	1435	1497
1500	1586	1649
1650	1736	1798
1800	1887	1949

C4000 Standard/Advanced

11.5.5 C4000 Standard/Advanced Guest

Fig. 48: Dimensional drawing C4000 Standard/Advanced Guest, sender (mm)
Receiver, mirror image



Tab. 40: Dimensions dependent on the protective field height, C4000 Standard/Advanced Guest

Protective field height S [mm]	Dimension L [mm]	Dimension A [mm]
150	220	76
300	380	224
450	530	374
600	680	524
750	830	674
900	981	825
1050	1131	975
1200	1281	1125
1350	1432	1276
1500	1583	1427
1650	1733	1504
1800	1884	1728

11.5.6 Swivel mount bracket

Fig. 49: Dimensional drawing, swivel mount bracket (mm)

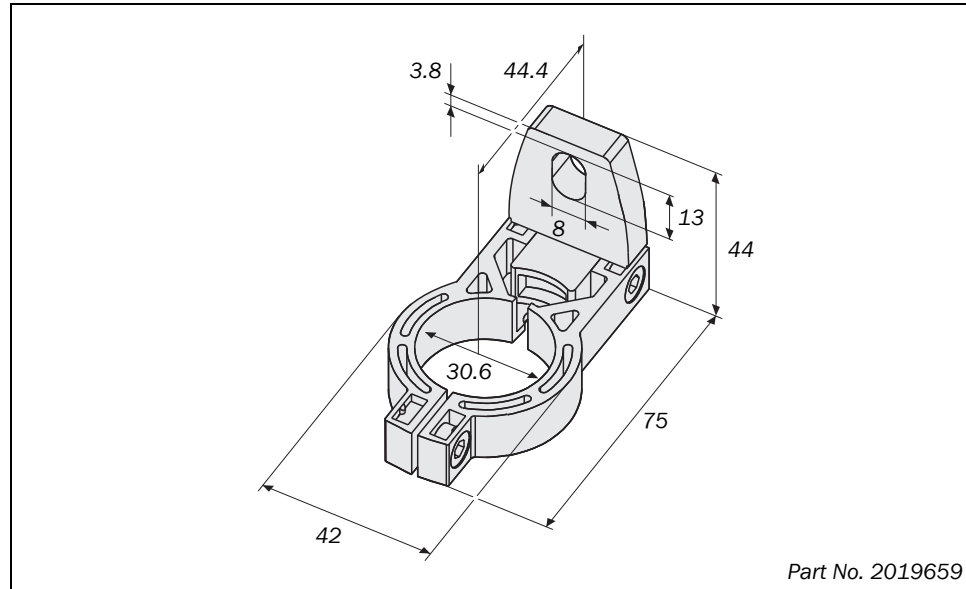
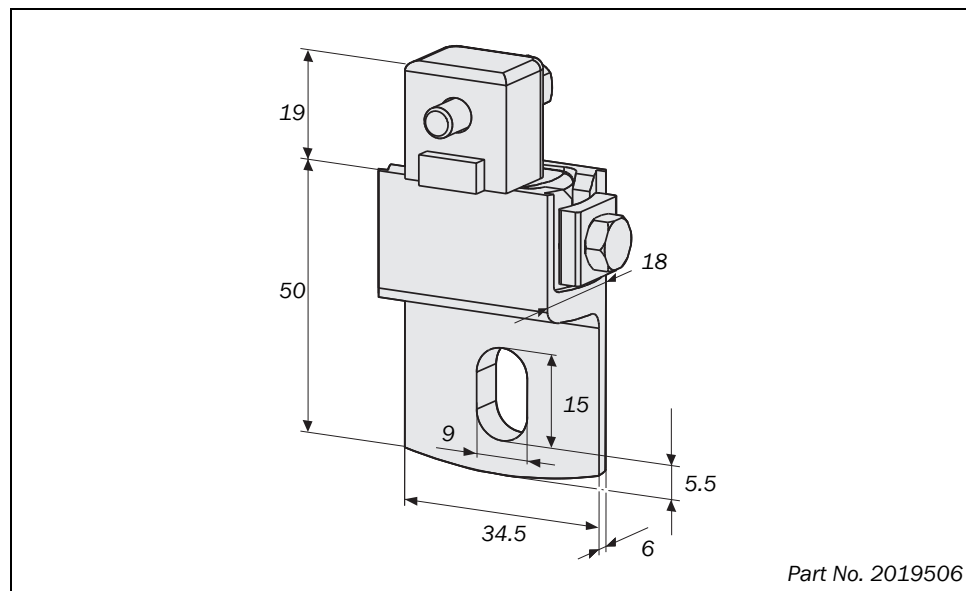
**11.5.7 Side bracket**

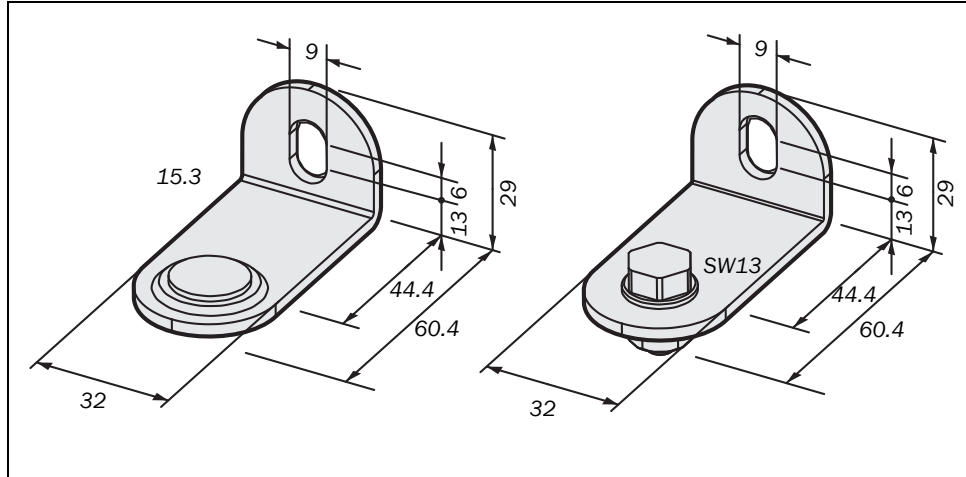
Fig. 50: Dimensional drawing, side bracket (mm)



C4000 Standard/Advanced

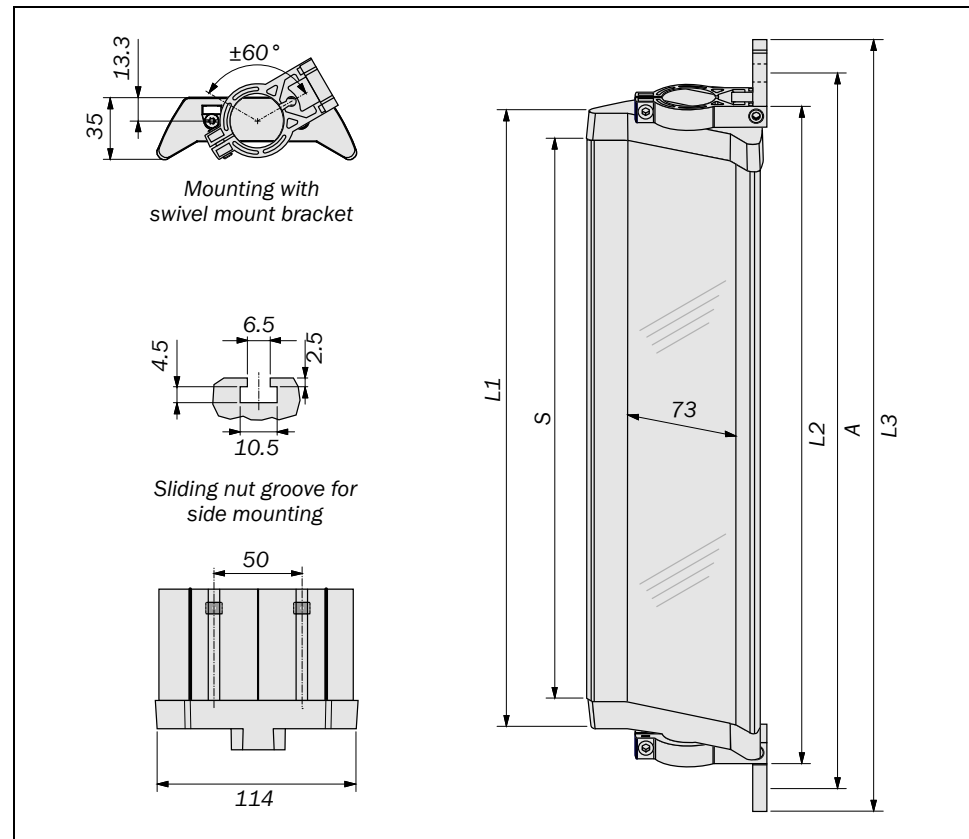
11.5.8 Swivel mount bracket for C4000 Guest

Fig. 51: Swivel mount bracket for C4000 Guest (mm)



11.5.9 Deflector mirror PNS75

Fig. 52: Dimensional drawing deflector mirror PNS75 (mm)



Tab. 41: Dimensions for the deflector mirror PNS75 dependent on the mirror height

Mirror height S [mm]	Dimension L1 [mm]	Dimension L2 [mm]	Dimension L3 [mm]	Dimension A [mm]
340	372	396	460	440
490	522	546	610	590
640	672	696	760	740
790	822	846	910	890
940	972	996	1060	1040
1090	1122	1146	1210	1190
1240	1272	1296	1360	1340
1390	1422	1446	1510	1490
1540	1572	1596	1660	1640
1690	1722	1746	1810	1790
1840	1872	1896	1960	1940

Note When using deflector mirrors, the overall scanning range is reduced (see Tab. 8 on page 26).



WARNING

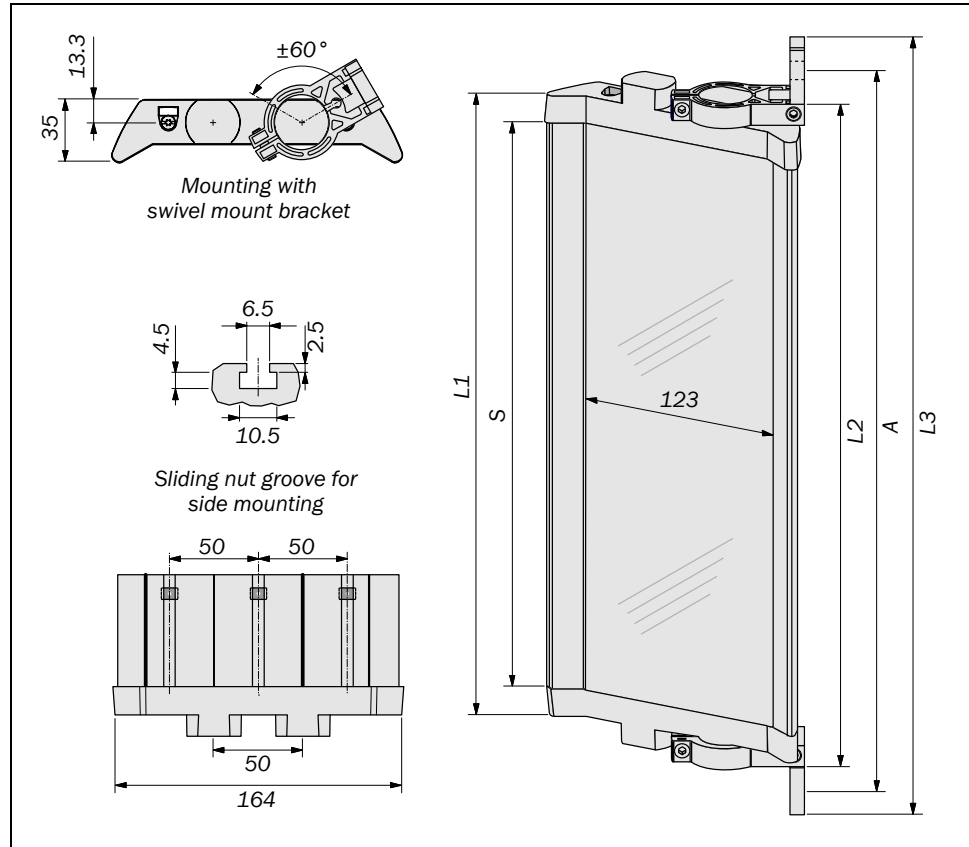
Do not use deflector mirrors if the formation of droplets or heavy contamination of the deflector mirrors is to be expected!

The formation of droplets or heavy contamination can be detrimental to the reflection behaviour. The protective function of the system will be affected and the system will thus become unsafe. This would mean that the operator is at risk.

C4000 Standard/Advanced

11.5.10 Deflector mirror PNS125

Fig. 53: Dimensional drawing deflector mirror PNS125 (mm)



Tab. 42: Dimensions for the deflector mirror PNS125 dependent on the mirror height

Mirror height S [mm]	Dimension L1 [mm]	Dimension L2 [mm]	Dimension L3 [mm]	Dimension A [mm]
340	372	396	460	440
490	522	546	610	590
640	672	696	760	740
790	822	846	910	890
940	972	996	1060	1040
1090	1122	1146	1210	1190
1240	1272	1296	1360	1340
1390	1422	1446	1510	1490
1540	1572	1596	1660	1640
1690	1722	1746	1810	1790
1840	1872	1896	1960	1940

Note When using deflector mirrors, the overall scanning range is reduced (see Tab. 8 on page 26).



WARNING

Do not use deflector mirrors if the formation of droplets or heavy contamination of the deflector mirrors is to be expected.

The formation of droplets of heavy contamination can be detrimental to the reflection behaviour. The protective function of the system will be affected and the system will thus become unsafe. This would mean that the operator is at risk.

12 Ordering information

12.1 Delivery

C4000 Standard

Delivery, sender

- sender unit
- 4 sliding nuts for side bracket

Delivery, receiver

- receiver unit
- 4 sliding nuts for side bracket
- test rod with diameter corresponding to the physical resolution of the safety light curtain
- label “Important Information”
- operating instructions on CD-ROM
- CDS (Configuration & Diagnostic Software) on CD-ROM
- information label “Operator’s notes”

C4000 Advanced

The C4000 Advanced also includes:

- additional test rods for testing the effective resolution:
 - for 14 mm systems: diameters 22, 30 and 37 mm
 - for 20 mm systems: diameters 30 and 40 mm
 - for 30 mm systems: diameter 40 mm
- information labels for the resolution of the device

Pre-configured systems

The C4000 Standard without extension connection is also available as an option with the pre-configurations C, D, E, F and R (see chapter 8.1 “Default delivery status” on page 65).

Deflector mirror

- deflector mirror
- 2 swivel mount brackets

12.2 System without extension connection

For use as single system or as last guest of a cascadable system.

12.2.1 C4000 Standard without extension connection

Tab. 43: Part numbers
C4000 Standard without
extension connection

Protective field height [mm]	Part numbers for resolution			
	14 mm	20 mm	30 mm	40 mm
300	▣ 1018591 (C40S-0301CA010)	▣ 1018613 (C40S-0302CA010)	▣ 1018635 (C40S-0303CA010)	▣ 1018657 (C40S-0304CA010)
	▣ 1018592 (C40E-0301CA010)	▣ 1018614 (C40E-0302CA010)	▣ 1018636 (C40E-0303CA010)	▣ 1018658 (C40E-0304CA010)
450	▣ 1018347 (C40S-0401CA010)	▣ 1018615 (C40S-0402CA010)	▣ 1018637 (C40S-0403CA010)	▣ 1018659 (C40S-0404CA010)
	▣ 1018348 (C40E-0401CA010)	▣ 1018616 (C40E-0402CA010)	▣ 1018638 (C40E-0403CA010)	▣ 1018660 (C40E-0404CA010)
600	▣ 1018593 (C40S-0601CA010)	▣ 1018617 (C40S-0602CA010)	▣ 1018639 (C40S-0603CA010)	▣ 1018661 (C40S-0604CA010)
	▣ 1018594 (C40E-0601CA010)	▣ 1018618 (C40E-0602CA010)	▣ 1018640 (C40E-0603CA010)	▣ 1018662 (C40E-0604CA010)
750	▣ 1018595 (C40S-0701CA010)	▣ 1018619 (C40S-0702CA010)	▣ 1018641 (C40S-0703CA010)	▣ 1018663 (C40S-0704CA010)
	▣ 1018596 (C40E-0701CA010)	▣ 1018620 (C40E-0702CA010)	▣ 1018642 (C40E-0703CA010)	▣ 1018664 (C40E-0704CA010)
900	▣ 1018597 (C40S-0901CA010)	▣ 1018621 (C40S-0902CA010)	▣ 1018643 (C40S-0903CA010)	▣ 1018665 (C40S-0904CA010)
	▣ 1018598 (C40E-0901CA010)	▣ 1018622 (C40E-0902CA010)	▣ 1018644 (C40E-0903CA010)	▣ 1018666 (C40E-0904CA010)
1050	▣ 1018599 (C40S-1001CA010)	▣ 1018623 (C40S-1002CA010)	▣ 1018645 (C40S-1003CA010)	▣ 1018667 (C40S-1004CA010)
	▣ 1018600 (C40E-1001CA010)	▣ 1018624 (C40E-1002CA010)	▣ 1018646 (C40E-1003CA010)	▣ 1018668 (C40E-1004CA010)
1200	▣ 1018601 (C40S-1201CA010)	▣ 1018625 (C40S-1202CA010)	▣ 1018647 (C40S-1203CA010)	▣ 1018669 (C40S-1204CA010)
	▣ 1018602 (C40E-1201CA010)	▣ 1018626 (C40E-1202CA010)	▣ 1018648 (C40E-1203CA010)	▣ 1018670 (C40E-1204CA010)
1350	▣ 1018603 (C40S-1301CA010)	▣ 1018627 (C40S-1302CA010)	▣ 1018649 (C40S-1303CA010)	▣ 1018671 (C40S-1304CA010)
	▣ 1018604 (C40E-1301CA010)	▣ 1018628 (C40E-1302CA010)	▣ 1018650 (C40E-1303CA010)	▣ 1018672 (C40E-1304CA010)
1500	▣ 1018605 (C40S-1501CA010)	▣ 1018629 (C40S-1502CA010)	▣ 1018651 (C40S-1503CA010)	▣ 1018673 (C40S-1504CA010)
	▣ 1018606 (C40E-1501CA010)	▣ 1018630 (C40E-1502CA010)	▣ 1018652 (C40E-1503CA010)	▣ 1018674 (C40E-1504CA010)
1650	▣ 1018607 (C40S-1601CA010)	▣ 1018631 (C40S-1602CA010)	▣ 1018653 (C40S-1603CA010)	▣ 1018675 (C40S-1604CA010)
	▣ 1018608 (C40E-1601CA010)	▣ 1018632 (C40E-1602CA010)	▣ 1018654 (C40E-1603CA010)	▣ 1018676 (C40E-1604CA010)
1800	▣ 1018609 (C40S-1801CA010)	▣ 1018633 (C40S-1802CA010)	▣ 1018655 (C40S-1803CA010)	▣ 1018677 (C40S-1804CA010)
	▣ 1018610 (C40E-1801CA010)	▣ 1018634 (C40E-1802CA010)	▣ 1018656 (C40E-1803CA010)	▣ 1018678 (C40E-1804CA010)

12.2.2 C4000 Standard with angled system connection and without extension connection

Tab. 44: Part numbers
C4000 Standard with angled
system connection and
without extension connection

Protective field height [mm]	Part numbers for resolution		
	14 mm	30 mm	40 mm
300	▣ 1022267 (C40S-0301CA020) ▣ 1022268 (C40E-0301CA010)	▣ 1026733 (C40S-0303CA020) ▣ 1026734 (C40E-0303CA020)	-
450	▣ 1026737 (C40S-0401CA020) ▣ 1026738 (C40E-0401CA020)	▣ 1026735 (C40S-0403CA020) ▣ 1026736 (C40E-0403CA020)	-
600	-	▣ 1029577 (C40S-0603CA020) ▣ 1029578 (C40E-0603CA020)	-
900	-	-	▣ 1026568 (C40S-0904CA020) ▣ 1026847 (C40E-0904CA020)
1050	-	-	▣ 1029579 (C40S-1004CA020) ▣ 1029580 (C40E-1004CA020)

Other systems on request.

C4000 Standard/Advanced

12.2.3 C4000 Advanced without extension connection

Tab. 45: Part numbers
C4000 Advanced without
extension connection

Protective field height [mm]	Part numbers for resolution			
	14 mm	20 mm	30 mm	40 mm
300	▣ 1018591 (C40S-0301CA010)	▣ 1018613 (C40S-0302CA010)	▣ 1018635 (C40S-0303CA010)	▣ 1018657 (C40S-0304CA010)
	▣ 1018781 (C40E-0301CB010)	▣ 1018792 (C40E-0302CB010)	▣ 1018803 (C40E-0303CB010)	▣ 1018815 (C40E-0304CB010)
450	▣ 1018347 (C40S-0401CA010)	▣ 1018615 (C40S-0402CA010)	▣ 1018637 (C40S-0403CA010)	▣ 1018659 (C40S-0404CA010)
	▣ 1018782 (C40E-0401CB010)	▣ 1018793 (C40E-0402CB010)	▣ 1018804 (C40E-0403CB010)	▣ 1018816 (C40E-0404CB010)
600	▣ 1018593 (C40S-0601CA010)	▣ 1018617 (C40S-0602CA010)	▣ 1018639 (C40S-0603CA010)	▣ 1018661 (C40S-0604CA010)
	▣ 1018783 (C40E-0601CB010)	▣ 1018794 (C40E-0602CB010)	▣ 1018805 (C40E-0603CB010)	▣ 1018817 (C40E-0604CB010)
750	▣ 1018595 (C40S-0701CA010)	▣ 1018619 (C40S-0702CA010)	▣ 1018641 (C40S-0703CA010)	▣ 1018663 (C40S-0704CA010)
	▣ 1018784 (C40E-0701CB010)	▣ 1018795 (C40E-0702CB010)	▣ 1018806 (C40E-0703CB010)	▣ 1018818 (C40E-0704CB010)
900	▣ 1018597 (C40S-0901CA010)	▣ 1018621 (C40S-0902CA010)	▣ 1018643 (C40S-0903CA010)	▣ 1018665 (C40S-0904CA010)
	▣ 1018785 (C40E-0901CB010)	▣ 1018796 (C40E-0902CB010)	▣ 1018807 (C40E-0903CB010)	▣ 1018819 (C40E-0904CB010)
1050	▣ 1018599 (C40S-1001CA010)	▣ 1018623 (C40S-1002CA010)	▣ 1018645 (C40S-1003CA010)	▣ 1018667 (C40S-1004CA010)
	▣ 1018786 (C40E-1001CB010)	▣ 1018797 (C40E-1002CB010)	▣ 1018809 (C40E-1003CB010)	▣ 1018820 (C40E-1004CB010)
1200	▣ 1018601 (C40S-1201CA010)	▣ 1018625 (C40S-1202CA010)	▣ 1018647 (C40S-1203CA010)	▣ 1018669 (C40S-1204CA010)
	▣ 1018787 (C40E-1201CB010)	▣ 1018798 (C40E-1202CB010)	▣ 1018810 (C40E-1203CB010)	▣ 1018821 (C40E-1204CB010)
1350	▣ 1018603 (C40S-1301CA010)	▣ 1018627 (C40S-1302CA010)	▣ 1018649 (C40S-1303CA010)	▣ 1018671 (C40S-1304CA010)
	▣ 1018788 (C40E-1301CB010)	▣ 1018799 (C40E-1302CB010)	▣ 1018811 (C40E-1303CB010)	▣ 1018822 (C40E-1304CB010)
1500	▣ 1018605 (C40S-1501CA010)	▣ 1018629 (C40S-1502CA010)	▣ 1018651 (C40S-1503CA010)	▣ 1018673 (C40S-1504CA010)
	▣ 1018789 (C40E-1501CB010)	▣ 1018800 (C40E-1502CB010)	▣ 1018812 (C40E-1503CB010)	▣ 1018823 (C40E-1504CB010)
1650	▣ 1018607 (C40S-1601CA010)	▣ 1018631 (C40S-1602CA010)	▣ 1018653 (C40S-1603CA010)	▣ 1018675 (C40S-1604CA010)
	▣ 1018790 (C40E-1601CB010)	▣ 1018801 (C40E-1602CB010)	▣ 1018813 (C40E-1603CB010)	▣ 1018824 (C40E-1604CB010)
1800	▣ 1018609 (C40S-1801CA010)	▣ 1018633 (C40S-1802CA010)	▣ 1018655 (C40S-1803CA010)	▣ 1018677 (C40S-1804CA010)
	▣ 1018791 (C40E-1801CB010)	▣ 1018802 (C40E-1802CB010)	▣ 1018814 (C40E-1803CB010)	▣ 1018825 (C40E-1804CB010)

12.2.4 C4000 Standard without extension connection with pre-configuration C

The pre-configuration is a specific system delivery state (see chapter 8.1 “Default delivery status” on page 65). You can change this configuration using the software supplied.

Tab. 46: Part numbers
C4000 Standard without
extension connection with
pre-configuration C

Protective field height [mm]	Part numbers for resolution			
	14 mm	20 mm	30 mm	40 mm
300	▶ 1018591 (C40S-0301CA010)	▶ 1018613 (C40S-0302CA010)	▶ 1018635 (C40S-0303CA010)	▶ 1018657 (C40S-0304CA010)
	▶ 1022358 (C40E-0301CC010)	▶ 1022369 (C40E-0302CC010)	▶ 1022380 (C40E-0303CC010)	▶ 1022391 (C40E-0304CC010)
450	▶ 1018347 (C40S-0401CA010)	▶ 1018615 (C40S-0402CA010)	▶ 1018637 (C40S-0403CA010)	▶ 1018659 (C40S-0404CA010)
	▶ 1022359 (C40E-0401CC010)	▶ 1022370 (C40E-0402CC010)	▶ 1022381 (C40E-0403CC010)	▶ 1022392 (C40E-0404CC010)
600	▶ 1018593 (C40S-0601CA010)	▶ 1018617 (C40S-0602CA010)	▶ 1018639 (C40S-0603CA010)	▶ 1018661 (C40S-0604CA010)
	▶ 1022360 (C40E-0601CC010)	▶ 1022371 (C40E-0602CC010)	▶ 1022382 (C40E-0603CC010)	▶ 1022393 (C40E-0604CC010)
750	▶ 1018595 (C40S-0701CA010)	▶ 1018619 (C40S-0702CA010)	▶ 1018641 (C40S-0703CA010)	▶ 1018663 (C40S-0704CA010)
	▶ 1022361 (C40E-0701CC010)	▶ 1022372 (C40E-0702CC010)	▶ 1022383 (C40E-0703CC010)	▶ 1022394 (C40E-0704CC010)
900	▶ 1018597 (C40S-0901CA010)	▶ 1018621 (C40S-0902CA010)	▶ 1018643 (C40S-0903CA010)	▶ 1018665 (C40S-0904CA010)
	▶ 1022362 (C40E-0901CC010)	▶ 1022373 (C40E-0902CC010)	▶ 1022384 (C40E-0903CC010)	▶ 1022395 (C40E-0904CC010)
1050	▶ 1018599 (C40S-1001CA010)	▶ 1018623 (C40S-1002CA010)	▶ 1018645 (C40S-1003CA010)	▶ 1018667 (C40S-1004CA010)
	▶ 1022363 (C40E-1001CC010)	▶ 1022374 (C40E-1002CC010)	▶ 1022385 (C40E-1003CC010)	▶ 1022396 (C40E-1004CC010)
1200	▶ 1018601 (C40S-1201CA010)	▶ 1018625 (C40S-1202CA010)	▶ 1018647 (C40S-1203CA010)	▶ 1018669 (C40S-1204CA010)
	▶ 1022364 (C40E-1201CC010)	▶ 1022375 (C40E-1202CC010)	▶ 1022386 (C40E-1203CC010)	▶ 1022397 (C40E-1204CC010)
1350	▶ 1018603 (C40S-1301CA010)	▶ 1018627 (C40S-1302CA010)	▶ 1018649 (C40S-1303CA010)	▶ 1018671 (C40S-1304CA010)
	▶ 1022365 (C40E-1301CC010)	▶ 1022376 (C40E-1302CC010)	▶ 1022387 (C40E-1303CC010)	▶ 1022398 (C40E-1304CC010)
1500	▶ 1018605 (C40S-1501CA010)	▶ 1018629 (C40S-1502CA010)	▶ 1018651 (C40S-1503CA010)	▶ 1018673 (C40S-1504CA010)
	▶ 1022366 (C40E-1501CC010)	▶ 1022377 (C40E-1502CC010)	▶ 1022388 (C40E-1503CC010)	▶ 1022399 (C40E-1504CC010)
1650	▶ 1018607 (C40S-1601CA010)	▶ 1018631 (C40S-1602CA010)	▶ 1018653 (C40S-1603CA010)	▶ 1018675 (C40S-1604CA010)
	▶ 1022367 (C40E-1601CC010)	▶ 1022378 (C40E-1602CC010)	▶ 1022389 (C40E-1603CC010)	▶ 1022400 (C40E-1604CC010)
1800	▶ 1018609 (C40S-1801CA010)	▶ 1018633 (C40S-1802CA010)	▶ 1018655 (C40S-1803CA010)	▶ 1018677 (C40S-1804CA010)
	▶ 1022368 (C40E-1801CC010)	▶ 1022379 (C40E-1802CC010)	▶ 1022390 (C40E-1803CC010)	▶ 1022401 (C40E-1804CC010)

C4000 Standard/Advanced

12.2.5 C4000 Standard without extension connection with pre-configuration D

The pre-configuration is a specific system delivery state (see chapter 8.1 “Default delivery status” on page 65). You can change this configuration using the software supplied.

Tab. 47: Part numbers
C4000 Standard without
extension connection with
pre-configuration D

Protective field height [mm]	Part numbers for resolution			
	14 mm	20 mm	30 mm	40 mm
300	▣ 1018591 (C40S-0301CA010)	▣ 1018613 (C40S-0302CA010)	▣ 1018635 (C40S-0303CA010)	▣ 1018657 (C40S-0304CA010)
	▣ 1022402 (C40E-0301CD010)	▣ 1022413 (C40E-0302CD010)	▣ 1022424 (C40E-0303CD010)	▣ 1022435 (C40E-0304CD010)
450	▣ 1018347 (C40S-0401CA010)	▣ 1018615 (C40S-0402CA010)	▣ 1018637 (C40S-0403CA010)	▣ 1018659 (C40S-0404CA010)
	▣ 1022403 (C40E-0401CD010)	▣ 1022414 (C40E-0402CD010)	▣ 1022425 (C40E-0403CD010)	▣ 1022436 (C40E-0404CD010)
600	▣ 1018593 (C40S-0601CA010)	▣ 1018617 (C40S-0602CA010)	▣ 1018639 (C40S-0603CA010)	▣ 1018661 (C40S-0604CA010)
	▣ 1022404 (C40E-0601CD010)	▣ 1022415 (C40E-0602CD010)	▣ 1022426 (C40E-0603CD010)	▣ 1022437 (C40E-0604CD010)
750	▣ 1018595 (C40S-0701CA010)	▣ 1018619 (C40S-0702CA010)	▣ 1018641 (C40S-0703CA010)	▣ 1018663 (C40S-0704CA010)
	▣ 1022405 (C40E-0701CD010)	▣ 1022416 (C40E-0702CD010)	▣ 1022427 (C40E-0703CD010)	▣ 1022438 (C40E-0704CD010)
900	▣ 1018597 (C40S-0901CA010)	▣ 1018621 (C40S-0902CA010)	▣ 1018643 (C40S-0903CA010)	▣ 1018665 (C40S-0904CA010)
	▣ 1022406 (C40E-0901CD010)	▣ 1022417 (C40E-0902CD010)	▣ 1022428 (C40E-0903CD010)	▣ 1022439 (C40E-0904CD010)
1050	▣ 1018599 (C40S-1001CA010)	▣ 1018623 (C40S-1002CA010)	▣ 1018645 (C40S-1003CA010)	▣ 1018667 (C40S-1004CA010)
	▣ 1022407 (C40E-1001CD010)	▣ 1022418 (C40E-1002CD010)	▣ 1022429 (C40E-1003CD010)	▣ 1022440 (C40E-1004CD010)
1200	▣ 1018601 (C40S-1201CA010)	▣ 1018625 (C40S-1202CA010)	▣ 1018647 (C40S-1203CA010)	▣ 1018669 (C40S-1204CA010)
	▣ 1022408 (C40E-1201CD010)	▣ 1022419 (C40E-1202CD010)	▣ 1022430 (C40E-1203CD010)	▣ 1022441 (C40E-1204CD010)
1350	▣ 1018603 (C40S-1301CA010)	▣ 1018627 (C40S-1302CA010)	▣ 1018649 (C40S-1303CA010)	▣ 1018671 (C40S-1304CA010)
	▣ 1022409 (C40E-1301CD010)	▣ 1022420 (C40E-1302CD010)	▣ 1022431 (C40E-1303CD010)	▣ 1022442 (C40E-1304CD010)
1500	▣ 1018605 (C40S-1501CA010)	▣ 1018629 (C40S-1502CA010)	▣ 1018651 (C40S-1503CA010)	▣ 1018673 (C40S-1504CA010)
	▣ 1022410 (C40E-1501CD010)	▣ 1022421 (C40E-1502CD010)	▣ 1022432 (C40E-1503CD010)	▣ 1022443 (C40E-1504CD010)
1650	▣ 1018607 (C40S-1601CA010)	▣ 1018631 (C40S-1602CA010)	▣ 1018653 (C40S-1603CA010)	▣ 1018675 (C40S-1604CA010)
	▣ 1022411 (C40E-1601CD010)	▣ 1022422 (C40E-1602CD010)	▣ 1022433 (C40E-1603CD010)	▣ 1022444 (C40E-1604CD010)
1800	▣ 1018609 (C40S-1801CA010)	▣ 1018633 (C40S-1802CA010)	▣ 1018655 (C40S-1803CA010)	▣ 1018677 (C40S-1804CA010)
	▣ 1022412 (C40E-1801CD010)	▣ 1022423 (C40E-1802CD010)	▣ 1022434 (C40E-1803CD010)	▣ 1022445 (C40E-1804CD010)

12.2.6 C4000 Standard without extension connection with pre-configuration E

The pre-configuration is a specific system delivery state (see chapter 8.1 “Default delivery status” on page 65). You can change this configuration using the software supplied.

Tab. 48: Part numbers
C4000 Standard without
extension connection with
pre-configuration E

Protective field height [mm]	Part numbers for resolution			
	14 mm	20 mm	30 mm	40 mm
300	▶ 1018591 (C40S-0301CA010)	▶ 1018613 (C40S-0302CA010)	▶ 1018635 (C40S-0303CA010)	▶ 1018657 (C40S-0304CA010)
	▶ 1022446 (C40E-0301CE010)	▶ 1022457 (C40E-0302CE010)	▶ 1022468 (C40E-0303CE010)	▶ 1022479 (C40E-0304CE010)
450	▶ 1018347 (C40S-0401CA010)	▶ 1018615 (C40S-0402CA010)	▶ 1018637 (C40S-0403CA010)	▶ 1018659 (C40S-0404CA010)
	▶ 1022447 (C40E-0401CE010)	▶ 1022458 (C40E-0402CE010)	▶ 1022469 (C40E-0403CE010)	▶ 1022480 (C40E-0404CE010)
600	▶ 1018593 (C40S-0601CA010)	▶ 1018617 (C40S-0602CA010)	▶ 1018639 (C40S-0603CA010)	▶ 1018661 (C40S-0604CA010)
	▶ 1022448 (C40E-0601CE010)	▶ 1022459 (C40E-0602CE010)	▶ 1022470 (C40E-0603CE010)	▶ 1022481 (C40E-0604CE010)
750	▶ 1018595 (C40S-0701CA010)	▶ 1018619 (C40S-0702CA010)	▶ 1018641 (C40S-0703CA010)	▶ 1018663 (C40S-0704CA010)
	▶ 1022449 (C40E-0701CE010)	▶ 1022460 (C40E-0702CE010)	▶ 1022471 (C40E-0703CE010)	▶ 1022482 (C40E-0704CE010)
900	▶ 1018597 (C40S-0901CA010)	▶ 1018621 (C40S-0902CA010)	▶ 1018643 (C40S-0903CA010)	▶ 1018665 (C40S-0904CA010)
	▶ 1022450 (C40E-0901CE010)	▶ 1022461 (C40E-0902CE010)	▶ 1022472 (C40E-0903CE010)	▶ 1022483 (C40E-0904CE010)
1050	▶ 1018599 (C40S-1001CA010)	▶ 1018623 (C40S-1002CA010)	▶ 1018645 (C40S-1003CA010)	▶ 1018667 (C40S-1004CA010)
	▶ 1022451 (C40E-1001CE010)	▶ 1022462 (C40E-1002CE010)	▶ 1022473 (C40E-1003CE010)	▶ 1022484 (C40E-1004CE010)
1200	▶ 1018601 (C40S-1201CA010)	▶ 1018625 (C40S-1202CA010)	▶ 1018647 (C40S-1203CA010)	▶ 1018669 (C40S-1204CA010)
	▶ 1022452 (C40E-1201CE010)	▶ 1022463 (C40E-1202CE010)	▶ 1022474 (C40E-1203CE010)	▶ 1022485 (C40E-1204CE010)
1350	▶ 1018603 (C40S-1301CA010)	▶ 1018627 (C40S-1302CA010)	▶ 1018649 (C40S-1303CA010)	▶ 1018671 (C40S-1304CA010)
	▶ 1022453 (C40E-1301CE010)	▶ 1022464 (C40E-1302CE010)	▶ 1022475 (C40E-1303CE010)	▶ 1022486 (C40E-1304CE010)
1500	▶ 1018605 (C40S-1501CA010)	▶ 1018629 (C40S-1502CA010)	▶ 1018651 (C40S-1503CA010)	▶ 1018673 (C40S-1504CA010)
	▶ 1022454 (C40E-1501CE010)	▶ 1022465 (C40E-1502CE010)	▶ 1022476 (C40E-1503CE010)	▶ 1022487 (C40E-1504CE010)
1650	▶ 1018607 (C40S-1601CA010)	▶ 1018631 (C40S-1602CA010)	▶ 1018653 (C40S-1603CA010)	▶ 1018675 (C40S-1604CA010)
	▶ 1022455 (C40E-1601CE010)	▶ 1022466 (C40E-1602CE010)	▶ 1022477 (C40E-1603CE010)	▶ 1022488 (C40E-1604CE010)
1800	▶ 1018609 (C40S-1801CA010)	▶ 1018633 (C40S-1802CA010)	▶ 1018655 (C40S-1803CA010)	▶ 1018677 (C40S-1804CA010)
	▶ 1022456 (C40E-1801CE010)	▶ 1022467 (C40E-1802CE010)	▶ 1022478 (C40E-1803CE010)	▶ 1022489 (C40E-1804CE010)

C4000 Standard/Advanced

12.2.7 C4000 Standard without extension connection with pre-configuration F

The pre-configuration is a specific system delivery state (see chapter 8.1 “Default delivery status” on page 65). You can change this configuration using the software supplied.

Tab. 49: Part numbers
C4000 Standard without
extension connection with
pre-configuration F

Protective field height [mm]	Part numbers for resolution			
	14 mm	20 mm	30 mm	40 mm
300	☐ 1018591 (C40S-0301CA010)	☐ 1018613 (C40S-0302CA010)	☐ 1018635 (C40S-0303CA010)	☐ 1018657 (C40S-0304CA010)
	☑ 1022490 (C40E-0301CF010)	☑ 1022501 (C40E-0302CF010)	☑ 1022512 (C40E-0303CF010)	☑ 1022523 (C40E-0304CF010)
450	☐ 1018347 (C40S-0401CA010)	☐ 1018615 (C40S-0402CA010)	☐ 1018637 (C40S-0403CA010)	☐ 1018659 (C40S-0404CA010)
	☑ 1022491 (C40E-0401CF010)	☑ 1022502 (C40E-0402CF010)	☑ 1022513 (C40E-0403CF010)	☑ 1022524 (C40E-0404CF010)
600	☐ 1018593 (C40S-0601CA010)	☐ 1018617 (C40S-0602CA010)	☐ 1018639 (C40S-0603CA010)	☐ 1018661 (C40S-0604CA010)
	☑ 1022492 (C40E-0601CF010)	☑ 1022503 (C40E-0602CF010)	☑ 1022514 (C40E-0603CF010)	☑ 1022525 (C40E-0604CF010)
750	☐ 1018595 (C40S-0701CA010)	☐ 1018619 (C40S-0702CA010)	☐ 1018641 (C40S-0703CA010)	☐ 1018663 (C40S-0704CA010)
	☑ 1022493 (C40E-0701CF010)	☑ 1022504 (C40E-0702CF010)	☑ 1022515 (C40E-0703CF010)	☑ 1022526 (C40E-0704CF010)
900	☐ 1018597 (C40S-0901CA010)	☐ 1018621 (C40S-0902CA010)	☐ 1018643 (C40S-0903CA010)	☐ 1018665 (C40S-0904CA010)
	☑ 1022494 (C40E-0901CF010)	☑ 1022505 (C40E-0902CF010)	☑ 1022516 (C40E-0903CF010)	☑ 1022527 (C40E-0904CF010)
1050	☐ 1018599 (C40S-1001CA010)	☐ 1018623 (C40S-1002CA010)	☐ 1018645 (C40S-1003CA010)	☐ 1018667 (C40S-1004CA010)
	☑ 1022495 (C40E-1001CF010)	☑ 1022506 (C40E-1002CF010)	☑ 1022517 (C40E-1003CF010)	☑ 1022528 (C40E-1004CF010)
1200	☐ 1018601 (C40S-1201CA010)	☐ 1018625 (C40S-1202CA010)	☐ 1018647 (C40S-1203CA010)	☐ 1018669 (C40S-1204CA010)
	☑ 1022496 (C40E-1201CF010)	☑ 1022507 (C40E-1202CF010)	☑ 1022518 (C40E-1203CF010)	☑ 1022529 (C40E-1204CF010)
1350	☐ 1018603 (C40S-1301CA010)	☐ 1018627 (C40S-1302CA010)	☐ 1018649 (C40S-1303CA010)	☐ 1018671 (C40S-1304CA010)
	☑ 1022497 (C40E-1301CF010)	☑ 1022508 (C40E-1302CF010)	☑ 1022519 (C40E-1303CF010)	☑ 1022530 (C40E-1304CF010)
1500	☐ 1018605 (C40S-1501CA010)	☐ 1018629 (C40S-1502CA010)	☐ 1018651 (C40S-1503CA010)	☐ 1018673 (C40S-1504CA010)
	☑ 1022498 (C40E-1501CF010)	☑ 1022509 (C40E-1502CF010)	☑ 1022520 (C40E-1503CF010)	☑ 1022531 (C40E-1504CF010)
1650	☐ 1018607 (C40S-1601CA010)	☐ 1018631 (C40S-1602CA010)	☐ 1018653 (C40S-1603CA010)	☐ 1018675 (C40S-1604CA010)
	☑ 1022499 (C40E-1601CF010)	☑ 1022510 (C40E-1602CF010)	☑ 1022521 (C40E-1603CF010)	☑ 1022532 (C40E-1604CF010)
1800	☐ 1018609 (C40S-1801CA010)	☐ 1018633 (C40S-1802CA010)	☐ 1018655 (C40S-1803CA010)	☐ 1018677 (C40S-1804CA010)
	☑ 1022500 (C40E-1801CF010)	☑ 1022511 (C40E-1802CF010)	☑ 1022522 (C40E-1803CF010)	☑ 1022533 (C40E-1804CF010)

12.2.8 C4000 Standard without extension connection with pre-configuration R

The pre-configuration is a specific system delivery state (see chapter 8.1 “Default delivery status” on page 65). You can change this configuration using the software supplied.

Tab. 50: Part numbers
C4000 Standard without
extension connection with
pre-configuration R

Protective field height [mm]	Part numbers for resolution
	30 mm
300	☐ 1018635 (C40S-0303CA010)
	☐ 1041119 (C40E-0303CR010)
600	☐ 1018639 (C40S-0603CA010)
	☐ 1041120 (C40E-0603CR010)
750	☐ 1018641 (C40S-0703CA010)
	☐ 1040258 (C40E-0703CR010)
900	☐ 1018643 (C40S-0903CA010)
	☐ 1041121 (C40E-0903CR010)
1050	☐ 1018645 (C40S-1003CA010)
	☐ 1040259 (C40E-1003CR010)
1350	☐ 1018649 (C40S-1303CA010)
	☐ 1040260 (C40E-1303CR010)
1500	☐ 1018651 (C40S-1503CA010)
	☐ 1040261 (C40E-1503CR010)
1800	☐ 1018655 (C40S-1803CA010)
	☐ 1041569 (C40E-1803CR010)

Other systems on request.

12.3 System with extension connection

For use as single system, as host or as first or second guest of a cascaded system.

12.3.1 C4000 Standard with M26 extension connection

Tab. 51: Part numbers
C4000 Standard with M26
extension connection

Protective field height [mm]	Part numbers for resolution			
	14 mm	20 mm	30 mm	40 mm
300	▣ 1018690 (C40S-0301DA010)	▣ 1018710 (C40S-0302DA010)	▣ 1018733 (C40S-0303DA010)	▣ 1018755 (C40S-0304DA010)
	▣ 1018691 (C40E-0301DA010)	▣ 1018711 (C40E-0302DA010)	▣ 1018734 (C40E-0303DA010)	▣ 1018756 (C40E-0304DA010)
450	▣ 1018349 (C40S-0401DA010)	▣ 1018712 (C40S-0402DA010)	▣ 1018735 (C40S-0403DA010)	▣ 1018757 (C40S-0404DA010)
	▣ 1018350 (C40E-0401DA010)	▣ 1018713 (C40E-0402DA010)	▣ 1018736 (C40E-0403DA010)	▣ 1018758 (C40E-0404DA010)
600	▣ 1018692 (C40S-0601DA010)	▣ 1018714 (C40S-0602DA010)	▣ 1018737 (C40S-0603DA010)	▣ 1018759 (C40S-0604DA010)
	▣ 1018693 (C40E-0601DA010)	▣ 1018715 (C40E-0602DA010)	▣ 1018738 (C40E-0603DA010)	▣ 1018760 (C40E-0604DA010)
750	▣ 1018694 (C40S-0701DA010)	▣ 1018716 (C40S-0702DA010)	▣ 1018739 (C40S-0703DA010)	▣ 1018762 (C40S-0704DA010)
	▣ 1018695 (C40E-0701DA010)	▣ 1018717 (C40E-0702DA010)	▣ 1018740 (C40E-0703DA010)	▣ 1018763 (C40E-0704DA010)
900	▣ 1018696 (C40S-0801DA010)	▣ 1018718 (C40S-0802DA010)	▣ 1018741 (C40S-0803DA010)	▣ 1018765 (C40S-0804DA010)
	▣ 1018697 (C40E-0801DA010)	▣ 1018719 (C40E-0802DA010)	▣ 1018742 (C40E-0803DA010)	▣ 1018766 (C40E-0804DA010)
1050	▣ 1018698 (C40S-1001DA010)	▣ 1018720 (C40S-1002DA010)	▣ 1018743 (C40S-1003DA010)	▣ 1018767 (C40S-1004DA010)
	▣ 1018699 (C40E-1001DA010)	▣ 1018721 (C40E-1002DA010)	▣ 1018744 (C40E-1003DA010)	▣ 1018768 (C40E-1004DA010)
1200	▣ 1018700 (C40S-1201DA010)	▣ 1018722 (C40S-1202DA010)	▣ 1018745 (C40S-1203DA010)	▣ 1018769 (C40S-1204DA010)
	▣ 1018701 (C40E-1201DA010)	▣ 1018723 (C40E-1202DA010)	▣ 1018746 (C40E-1203DA010)	▣ 1018770 (C40E-1204DA010)
1350	▣ 1018702 (C40S-1301DA010)	▣ 1018724 (C40S-1302DA010)	▣ 1018747 (C40S-1303DA010)	▣ 1018771 (C40S-1304DA010)
	▣ 1018703 (C40E-1301DA010)	▣ 1018725 (C40E-1302DA010)	▣ 1018748 (C40E-1303DA010)	▣ 1018772 (C40E-1304DA010)
1500	▣ 1018704 (C40S-1501DA010)	▣ 1018726 (C40S-1502DA010)	▣ 1018749 (C40S-1503DA010)	▣ 1018773 (C40S-1504DA010)
	▣ 1018705 (C40E-1501DA010)	▣ 1018727 (C40E-1502DA010)	▣ 1018750 (C40E-1503DA010)	▣ 1018774 (C40E-1504DA010)
1650	▣ 1018706 (C40S-1601DA010)	▣ 1018728 (C40S-1602DA010)	▣ 1018751 (C40S-1603DA010)	▣ 1018775 (C40S-1604DA010)
	▣ 1018707 (C40E-1601DA010)	▣ 1018729 (C40E-1602DA010)	▣ 1018752 (C40E-1603DA010)	▣ 1018776 (C40E-1604DA010)
1800	▣ 1018708 (C40S-1801DA010)	▣ 1018730 (C40S-1802DA010)	▣ 1018753 (C40S-1803DA010)	▣ 1018777 (C40S-1804DA010)
	▣ 1018709 (C40E-1801DA010)	▣ 1018731 (C40E-1802DA010)	▣ 1018754 (C40E-1803DA010)	▣ 1018778 (C40E-1804DA010)

12.3.2 C4000 Advanced with M26 extension connection

Tab. 52: Part numbers
C4000 Advanced with M26
extension connection

Protective field height [mm]	Part numbers for resolution			
	14 mm	20 mm	30 mm	40 mm
300	▣ 1018690 (C40S-0301DA010)	▣ 1018710 (C40S-0302DA010)	▣ 1018733 (C40S-0303DA010)	▣ 1018755 (C40S-0304DA010)
	▣ 1018827 (C40E-0301DB010)	▣ 1018838 (C40E-0302DB010)	▣ 1018849 (C40E-0303DB010)	▣ 1018860 (C40E-0304DB010)
450	▣ 1018349 (C40S-0401DA010)	▣ 1018712 (C40S-0402DA010)	▣ 1018735 (C40S-0403DA010)	▣ 1018757 (C40S-0404DA010)
	▣ 1018828 (C40E-0401DB010)	▣ 1018839 (C40E-0402DB010)	▣ 1018850 (C40E-0403DB010)	▣ 1018861 (C40E-0404DB010)
600	▣ 1018692 (C40S-0601DA010)	▣ 1018714 (C40S-0602DA010)	▣ 1018737 (C40S-0603DA010)	▣ 1018759 (C40S-0604DA010)
	▣ 1018829 (C40E-0601DB010)	▣ 1018840 (C40E-0602DB010)	▣ 1018851 (C40E-0603DB010)	▣ 1018862 (C40E-0604DB010)
750	▣ 1018694 (C40S-0701DA010)	▣ 1018716 (C40S-0702DA010)	▣ 1018739 (C40S-0703DA010)	▣ 1018762 (C40S-0704DA010)
	▣ 1018830 (C40E-0701DB010)	▣ 1018841 (C40E-0702DB010)	▣ 1018852 (C40E-0703DB010)	▣ 1018863 (C40E-0704DB010)
900	▣ 1018696 (C40S-0901DA010)	▣ 1018718 (C40S-0902DA010)	▣ 1018741 (C40S-0903DA010)	▣ 1018765 (C40S-0904DA010)
	▣ 1018831 (C40E-0901DB010)	▣ 1018842 (C40E-0902DB010)	▣ 1018853 (C40E-0903DB010)	▣ 1018864 (C40E-0904DB010)
1050	▣ 1018698 (C40S-1001DA010)	▣ 1018720 (C40S-1002DA010)	▣ 1018743 (C40S-1003DA010)	▣ 1018767 (C40S-1004DA010)
	▣ 1018832 (C40E-1001DB010)	▣ 1018843 (C40E-1002DB010)	▣ 1018854 (C40E-1003DB010)	▣ 1018865 (C40E-1004DB010)
1200	▣ 1018700 (C40S-1201DA010)	▣ 1018722 (C40S-1202DA010)	▣ 1018745 (C40S-1203DA010)	▣ 1018769 (C40S-1204DA010)
	▣ 1018833 (C40E-1201DB010)	▣ 1018844 (C40E-1202DB010)	▣ 1018855 (C40E-1203DB010)	▣ 1018866 (C40E-1204DB010)
1350	▣ 1018702 (C40S-1301DA010)	▣ 1018724 (C40S-1302DA010)	▣ 1018747 (C40S-1303DA010)	▣ 1018771 (C40S-1304DA010)
	▣ 1018834 (C40E-1301DB010)	▣ 1018845 (C40E-1302DB010)	▣ 1018856 (C40E-1303DB010)	▣ 1018867 (C40E-1304DB010)
1500	▣ 1018704 (C40S-1501DA010)	▣ 1018726 (C40S-1502DA010)	▣ 1018749 (C40S-1503DA010)	▣ 1018773 (C40S-1504DA010)
	▣ 1018835 (C40E-1501DB010)	▣ 1018846 (C40E-1502DB010)	▣ 1018857 (C40E-1503DB010)	▣ 1018868 (C40E-1504DB010)
1650	▣ 1018706 (C40S-1601DA010)	▣ 1018728 (C40S-1602DA010)	▣ 1018751 (C40S-1603DA010)	▣ 1018775 (C40S-1604DA010)
	▣ 1018836 (C40E-1601DB010)	▣ 1018847 (C40E-1602DB010)	▣ 1018858 (C40E-1603DB010)	▣ 1018869 (C40E-1604DB010)
1800	▣ 1018708 (C40S-1801DA010)	▣ 1018730 (C40S-1802DA010)	▣ 1018753 (C40S-1803DA010)	▣ 1018777 (C40S-1804DA010)
	▣ 1018837 (C40E-1801DB010)	▣ 1018848 (C40E-1802DB010)	▣ 1018859 (C40E-1803DB010)	▣ 1018870 (C40E-1804DB010)

C4000 Standard/Advanced

12.3.3 C4000 Standard with M12 extension connection

Tab. 53: Part numbers
C4000 Standard with M12
extension connection

Protective field height [mm]	Part numbers for resolution	
	14 mm	30 mm
300	▣ 1028969 (C40S-0301DA040)	▣ 1029001 (C40S-0303DA040)
	▣ 1028970 (C40E-0301DA040)	▣ 1029002 (C40E-0303DA040)
450	▣ 1028967 (C40S-0401DA040)	▣ 1029003 (C40S-0403DA040)
	▣ 1028968 (C40E-0401DA040)	▣ 1029004 (C40E-0403DA040)
600	▣ 1028971 (C40S-0601DA040)	▣ 1029005 (C40S-0603DA040)
	▣ 1028972 (C40E-0601DA040)	▣ 1029006 (C40E-0603DA040)
750	▣ 1028973 (C40S-0701DA040)	▣ 1029007 (C40S-0703DA040)
	▣ 1028974 (C40E-0701DA040)	▣ 1029008 (C40E-0703DA040)
900	▣ 1028975 (C40S-0801DA040)	▣ 1029009 (C40S-0903DA040)
	▣ 1028976 (C40E-0801DA040)	▣ 1029010 (C40E-0903DA040)
1050	▣ 1028977 (C40S-1001DA040)	▣ 1029011 (C40S-1003DA040)
	▣ 1028978 (C40E-1001DA040)	▣ 1029012 (C40E-1003DA040)
1200	▣ 1028979 (C40S-1201DA040)	▣ 1029013 (C40S-1203DA040)
	▣ 1028980 (C40E-1201DA040)	▣ 1029014 (C40E-1203DA040)
1350	▣ 1028981 (C40S-1301DA040)	▣ 1029015 (C40S-1303DA040)
	▣ 1028982 (C40E-1301DA040)	▣ 1029016 (C40E-1303DA040)
1500	▣ 1028983 (C40S-1501DA040)	▣ 1029017 (C40S-1503DA040)
	▣ 1028984 (C40E-1501DA040)	▣ 1029018 (C40E-1503DA040)
1650	▣ 1028985 (C40S-1601DA040)	▣ 1029019 (C40S-1603DA040)
	▣ 1028986 (C40E-1601DA040)	▣ 1029020 (C40E-1603DA040)
1800	▣ 1028987 (C40S-1801DA040)	▣ 1029021 (C40S-1803DA040)
	▣ 1028988 (C40E-1801DA040)	▣ 1029022 (C40E-1803DA040)

12.3.4 C4000 Advanced with M12 extension connection

Tab. 54: Part numbers
C4000 Advanced with M12
extension connection

Protective field height [mm]	Part numbers for resolution	
	14 mm	30 mm
300	☑ 1028969 (C40S-0301DA040)	☑ 1029001 (C40S-0303DA040)
	☑ 1028989 (C40E-0301DB040)	☑ 1029023 (C40E-0303DB040)
450	☑ 1028967 (C40S-0401DA040)	☑ 1029003 (C40S-0403DA040)
	☑ 1028990 (C40E-0401DB040)	☑ 1029024 (C40E-0403DB040)
600	☑ 1028971 (C40S-0601DA040)	☑ 1029005 (C40S-0603DA040)
	☑ 1028991 (C40E-0601DB040)	☑ 1029025 (C40E-0603DB040)
750	☑ 1028973 (C40S-0701DA040)	☑ 1029007 (C40S-0703DA040)
	☑ 1028992 (C40E-0701DB040)	☑ 1029026 (C40E-0703DB040)
900	☑ 1028975 (C40S-0901DA040)	☑ 1029009 (C40S-0903DA040)
	☑ 1028993 (C40E-0901DB040)	☑ 1029027 (C40E-0903DB040)
1050	☑ 1028977 (C40S-1001DA040)	☑ 1029011 (C40S-1003DA040)
	☑ 1028994 (C40E-1001DB040)	☑ 1029028 (C40E-1003DB040)
1200	☑ 1028979 (C40S-1201DA040)	☑ 1029013 (C40S-1203DA040)
	☑ 1028995 (C40E-1201DB040)	☑ 1029029 (C40E-1203DB040)
1350	☑ 1028981 (C40S-1301DA040)	☑ 1029015 (C40S-1303DA040)
	☑ 1028996 (C40E-1301DB040)	☑ 1029030 (C40E-1303DB040)
1500	☑ 1028983 (C40S-1501DA040)	☑ 1029017 (C40S-1503DA040)
	☑ 1028997 (C40E-1501DB040)	☑ 1029031 (C40E-1503DB040)
1650	☑ 1028985 (C40S-1601DA040)	☑ 1029019 (C40S-1603DA040)
	☑ 1028998 (C40E-1601DB040)	☑ 1029032 (C40E-1603DB040)
1800	☑ 1028987 (C40S-1801DA040)	☑ 1029021 (C40S-1803DA040)
	☑ 1028999 (C40E-1801DB040)	☑ 1029033 (C40E-1803DB040)

12.4 C4000 Guest





12.4.1 C4000 Standard Guest with straight system connection

Tab. 55: Part numbers
C4000 Standard Guest with
straight system connection

Protective field height [mm]	Part numbers for resolution	
	14 mm	30 mm
150	▣ 1028796 (C46S-0101CT400)	▣ 1028879 (C46S-0103CT400)
	▣ 1028797 (C46E-0101CT400)	▣ 1028880 (C46E-0103CT400)
300	▣ 1028802 (C46S-0301CT400)	▣ 1028881 (C46S-0303CT400)
	▣ 1028803 (C46E-0301CT400)	▣ 1028882 (C46E-0303CT400)
450	▣ 1028804 (C46S-0401CT400)	▣ 1028883 (C46S-0403CT400)
	▣ 1028805 (C46E-0401CT400)	▣ 1028884 (C46E-0403CT400)
600	▣ 1028806 (C46S-0601CT400)	▣ 1028885 (C46S-0603CT400)
	▣ 1028807 (C46E-0601CT400)	▣ 1028886 (C46E-0603CT400)
750	▣ 1028808 (C46S-0701CT400)	▣ 1028887 (C46S-0703CT400)
	▣ 1028809 (C46E-0701CT400)	▣ 1028888 (C46E-0703CT400)
900	▣ 1040173 (C46S-0901CT400)	▣ 1040193 (C46S-0903CT400)
	▣ 1040174 (C46E-0901CT400)	▣ 1040194 (C46E-0903CT400)
1050	▣ 1040175 (C46S-1001CT400)	▣ 1040195 (C46S-1003CT400)
	▣ 1040176 (C46E-1001CT400)	▣ 1040196 (C46E-1003CT400)
1200	▣ 1040177 (C46S-1201CT400)	▣ 1040197 (C46S-1203CT400)
	▣ 1040178 (C46E-1201CT400)	▣ 1040198 (C46E-1203CT400)
1350	▣ 1040179 (C46S-1301CT400)	▣ 1040199 (C46S-1303CT400)
	▣ 1040180 (C46E-1301CT400)	▣ 1040200 (C46E-1303CT400)
1500	▣ 1040181 (C46S-1501CT400)	▣ 1040201 (C46S-1503CT400)
	▣ 1040214 (C46E-1501CT400)	▣ 1040202 (C46E-1503CT400)
1650	▣ 1040182 (C46S-1601CT400)	▣ 1040203 (C46S-1603CT400)
	▣ 1040183 (C46E-1601CT400)	▣ 1040204 (C46E-1603CT400)
1800	▣ 1040184 (C46S-1801CT400)	▣ 1040205 (C46S-1803CT400)
	▣ 1040185 (C46E-1801CT400)	▣ 1040206 (C46E-1803CT400)

12.4.2 C4000 Standard Guest with angled system connection

Tab. 56: Part numbers
C4000 Standard Guest with
angled system connection

Protective field height [mm]	Part numbers for resolution	
	14 mm	30 mm
150	 1028810 (C46S-0101CT500)	 1028901 (C46S-0103CT500)
	 1028811 (C46E-0101CT500)	 1028902 (C46E-0103CT500)

C4000 Standard/Advanced





12.4.3 C4000 Advanced Guest with straight system connection

Tab. 57: Part numbers
C4000 Advanced Guest with
straight system connection

Protective field height [mm]	Part numbers for resolution	
	14 mm	30 mm
150	▣ 1028796 (C46S-0101CT400)	▣ 1028879 (C46S-0103CT400)
	▣ 1028820 (C46E-0101CU400)	▣ 1028889 (C46E-0103CU400)
300	▣ 1028802 (C46S-0301CT400)	▣ 1028881 (C46S-0303CT400)
	▣ 1028821 (C46E-0301CU400)	▣ 1028890 (C46E-0303CU400)
450	▣ 1028804 (C46S-0401CT400)	▣ 1028883 (C46S-0403CT400)
	▣ 1028822 (C46E-0401CU400)	▣ 1028891 (C46E-0403CU400)
600	▣ 1028806 (C46S-0601CT400)	▣ 1028885 (C46S-0603CT400)
	▣ 1028823 (C46E-0601CU400)	▣ 1028892 (C46E-0603CU400)
750	▣ 1028808 (C46S-0701CT400)	▣ 1028887 (C46S-0703CT400)
	▣ 1028824 (C46E-0701CU400)	▣ 1028893 (C46E-0703CU400)
900	▣ 1040173 (C46S-0901CT400)	▣ 1040193 (C46S-0903CT400)
	▣ 1040186 (C46E-0901CU400)	▣ 1040207 (C46E-0903CU400)
1050	▣ 1040175 (C46S-1001CT400)	▣ 1040195 (C46S-1003CT400)
	▣ 1040187 (C46E-1001CU400)	▣ 1040208 (C46E-1003CU400)
1200	▣ 1040177 (C46S-1201CT400)	▣ 1040197 (C46S-1203CT400)
	▣ 1040188 (C46E-1201CU400)	▣ 1040209 (C46E-1203CU400)
1350	▣ 1040179 (C46S-1301CT400)	▣ 1040199 (C46S-1303CT400)
	▣ 1040189 (C46E-1301CU400)	▣ 1040210 (C46E-1303CU400)
1500	▣ 1040181 (C46S-1501CT400)	▣ 1040201 (C46S-1503CT400)
	▣ 1040190 (C46E-1501CU400)	▣ 1040211 (C46E-1503CU400)
1650	▣ 1040182 (C46S-1601CT400)	▣ 1040203 (C46S-1603CT400)
	▣ 1040191 (C46E-1601CU400)	▣ 1040212 (C46E-1603CU400)
1800	▣ 1040184 (C46S-1801CT400)	▣ 1040205 (C46S-1803CT400)
	▣ 1040192 (C46E-1801CU400)	▣ 1040213 (C46E-1803CU400)

12.4.4 C4000 Advanced Guest with angled system connection

Tab. 58: Part numbers
C4000 Advanced Guest with
angled system connection

Protective field height [mm]	Part numbers for resolution	
	14 mm	30 mm
150	 1028810 (C46S-0101CT500)	 1028901 (C46S-0103CT500)
	 1028825 (C46E-0101CU500)	 1028894 (C46E-0103CU500)

12.5 Additional front screen (weld spark guard)

- Notes**
- Two additional front screens (weld spark guards) supplied for each part number.
 - The additional front screen fits both on the sender and on the receiver.
 - The additional front screen may be used only if the curved enclosure side is accessible.
 - An additional front screen reduces the scanning range of the system by 8%. If sender and receiver each use an additional front screen, the scanning range will be reduced by 16%.

Tab. 59: Part numbers additional front screen (weld spark guard)

Protective field height [mm]	Part number	Protective field height [mm]	Part number
300	2022412	1200	2022418
450	2022413	1350	2022419
600	2022414	1500	2022420
750	2022415	1650	2022421
900	2022416	1800	2022422
1050	2022417		

12.6 Deflector mirror

12.6.1 Deflector mirror PNS75 for protective field width 0 ... 12 m (total)

Tab. 60: Part numbers deflector mirror PNS75

Protective field height [mm]	Type code	Part number
300	PNS75-034	1019414
450	PNS75-049	1019415
600	PNS75-064	1019416
750	PNS75-079	1019417
900	PNS75-094	1019418
1050	PNS75-109	1019419
1200	PNS75-124	1019420
1350	PNS75-139	1019421
1500	PNS75-154	1019422
1650	PNS75-169	1019423
1800	PNS75-184	1019424

Dimensional drawing see Fig. 52 on page 90. Effect on the scanning range see Tab. 8 on page 26.

12.6.2 Deflector mirror PNS125 for protective field width 4 ... 18.5 m (total)Tab. 61: Part numbers
deflector mirror PNS125

Protective field height [mm]	Type code	Part number
300	PNS125-034	1019425
450	PNS125-049	1019426
600	PNS125-064	1019427
750	PNS125-079	1019428
900	PNS125-094	1019429
1050	PNS125-109	1019430
1200	PNS125-124	1019431
1350	PNS125-139	1019432
1500	PNS125-154	1019433
1650	PNS125-169	1019434
1800	PNS125-184	1019435

Dimensional drawing see Fig. 53 on page 91. Effect on the scanning range see Tab. 8 on page 26.

12.7 AccessoriesTab. 62: Part numbers
accessories

Part	Part number
C4000-system connection	
Hirschmann cable socket M26 × 11 + FE, crimp contacts, straight	6020757
Hirschmann cable socket M26 × 11 + FE, crimp contacts, angled	6020758
Terminal with 182 Ω resistance for pin 9 and 10 on the system connection (cf. page 52)	2027227
Connection cable ²¹⁾	
Socket straight/stripped, 2.5 m	2022544
Socket straight/stripped, 5 m	2022545
Socket straight/stripped, 7.5 m	2022546
Socket straight/stripped, 10 m	2022547
Socket straight/stripped, 15 m	2022548
Socket straight/stripped, 20 m	2022549
Socket straight/stripped, 30 m	2022550

²¹⁾ The cable sheath is made of PVC (UL listed).

C4000 Standard/Advanced

Part	Part number
C4000-extension connection M26	
Hirschmann cable socket M26 × 11 + FE, crimp contacts, straight	6021191
Connecting cable for the connection of guest 1 or guest 2 ²²⁾	
Plug straight/socket straight, 0.25 m	2022278
Plug straight/socket angled, 0.25 m	2022284
Plug straight/socket straight, 0.5 m	2021838
Plug straight/socket angled, 0.5 m	2022285
Plug straight/socket straight, 1 m	2022279
Plug straight/socket angled, 1 m	2022286
Plug straight/socket straight, 1.5 m	2022280
Plug straight/socket angled, 1.5 m	2022287
Plug straight/socket straight, 2 m	2022281
Plug straight/socket angled, 2 m	2022288
Plug straight/socket straight, 2.5 m	2022282
Plug straight/socket angled, 2.5 m	2022289
Plug straight/socket straight, 3 m	2022283
Plug straight/socket angled, 3 m	2022290
C4000 Guest with M12 system connection or C4000 with M12 extension connection	
Extension cable M12 × 8, 1 m long, straight plug, straight socket, for extending the cable on the C4000 Guest	6021002
Extension cable M12 × 8, 1 m long, angled plug, straight socket, for extending the cable on the C4000 Guest	6030974
Other accessories	
Mounting kit 2: pivoting (swivel mount), 4 pieces for all protective field heights	2019659
Mounting kit 3: pivoting, with anti-vibration mount, 4 pieces for all protective field heights. For higher vibration and shock exposure	2017752
Mounting kit 6: pivoting (side bracket), 4 pieces for all protective field heights	2019506
Mounting kit Swivel mount bracket Guest, 2 pairs for all protective field heights	2034959
UE402 switching amplifier: expands the C4000 with the functions PSDI mode, bypass, operating mode switching	1023577
AR60, external laser alignment aid	1015741
Adapter for AR60 for attaching to the C4000-housing	4032461
Power supply 24 V, 100/240 V AC, 50 W	7028789
Power supply 24 V, 120/240 V AC, 95 W	7028790

²²⁾ The cable sheath is made of PVC (UL listed).

Part	Part number
Connection cable M8 × 4/D-Sub 9 pin; for connecting the configuration connection to the serial interface on the PC 2 m 10 m	6021195 2027649
UC232-A, USB/RS-232 converter	6035396
Host-Guest Plug, for resetting a system position saved in a C4000 (host, guest 1, guest 2).	1029717
Clone Plug – configuration tool for quickly programming safety light curtains	1029665
Terminator 182 Ω for EFI connections	2027227
Accessories included in a standard delivery Sliding nuts for side bracket, 4 pcs. CDS (Configuration & Diagnostic Software) on CD-ROM including online documentation and operating instructions in all available languages	2017550 2026875