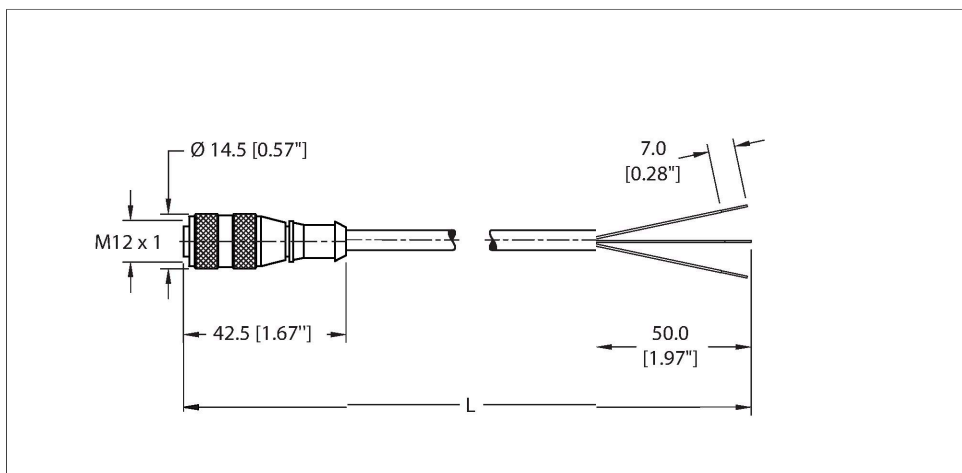


# RK 4T-x

## Actuator and Sensor Cable – Connection Cable

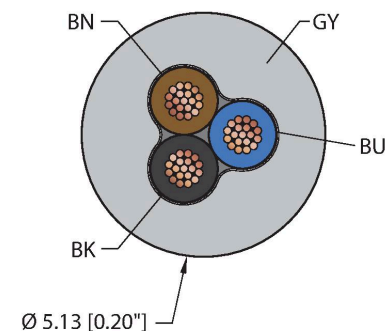


### Features



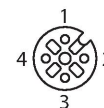
- M12, Female, Straight, 3-pin
- Instrumentation Tray Cable
- Gray PVC jacket, 3X22 AWG
- Sunlight Resistant
- -40 Cold Bend Rating
- Oil Resistant
- Flame Ratings: UL 1685 FT4, UL1061, CSA FT4
- Flexlife® and C-Track Approved

### Cable cross section

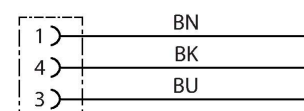


### Contact assignment

#### Connector A



### Diagram



### Technical data

<b>Type</b>	RK 4T-x
Ident. no.	777000203
<b>Connector A</b>	Female, M12 x 1, Straight, A-code
Design specification	Acc. to IEC 61076-2-101
Number of contacts	4
Contacts	Bronze, CuSn, Gold-plated
Contact carriers	Plastic, TPU, Black
Connector body	Plastic, TPU, Yellow
Coupling nut	Brass, CuZn, Nickel-plated
Connector seal	O-ring, Plastic, FKM/FPM
Mechanical life	> 100 Mating cycles
Pollution degree	3
Protection class	When coupled - IP68, IP69K NEMA: 1, 3, 4, 6P
Tightening torque (range)	0.8 ... 1 Nm (note max. torque of mating connector!)
<b>Cable data</b>	
Cable ID	RF52081
Total number of conductors	3
Cable diameter	Ø 5.13 mm
Cable jacket	PVC, Gray
Conductor diameter	0.054 "
Conductor material	TC (Tinned Copper)
Conductor insulation material	PVC

## Technical data

Conductor size	3 x 22 AWG [Similar to 0.34 mm <sup>2</sup> ]
Number of strands x O.D.	19 x 0.0058 "
Conductor colors	BN, BU, BK
<b>Electrical properties at +20 °C</b>	
Rated voltage	250 V
Current	4 A
<b>Mechanical and chemical properties</b>	
Bending radius (static)	≥ 5 x Ø
Bending radius (dynamic)	≥ 10 x Ø
Cold bend rating	-40 °C
Flex rating 20 x Ø	10 million cycles*
C-Track	Yes
Temperature range (static)	-40 °C...+105 °C
Temperature range (dynamic)	-40 °C...+105 °C
Temperature range (installation)	-20 °C...+105 °C
<b>Approval</b>	
Approvals	UL 2238 CSA C22.2 No. 182.3 CE RoHS
<b>Note</b>	
	- Flex ratings may be reduced if used in extreme temperatures, exposure to certain chemicals, operating above the rated cycle speed, or operating below the rated cable bend radius.
	- We reserve the right to make technical alterations without prior notice.

## Accessories

### TORQUE-WRENCH-SET-M12-LEGACY

A900153



Torque wrench set; grip with adjustable torque 0.4 to 1.0 Nm; torque wrench set, fork wrench for M12