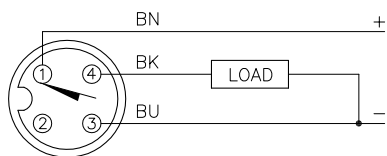
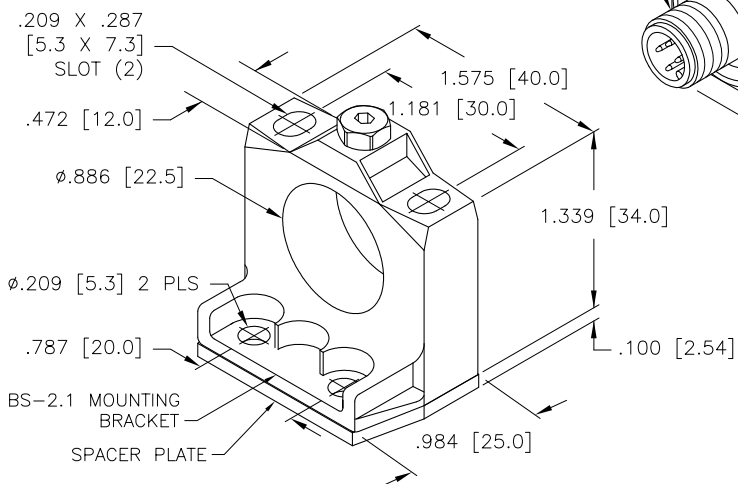
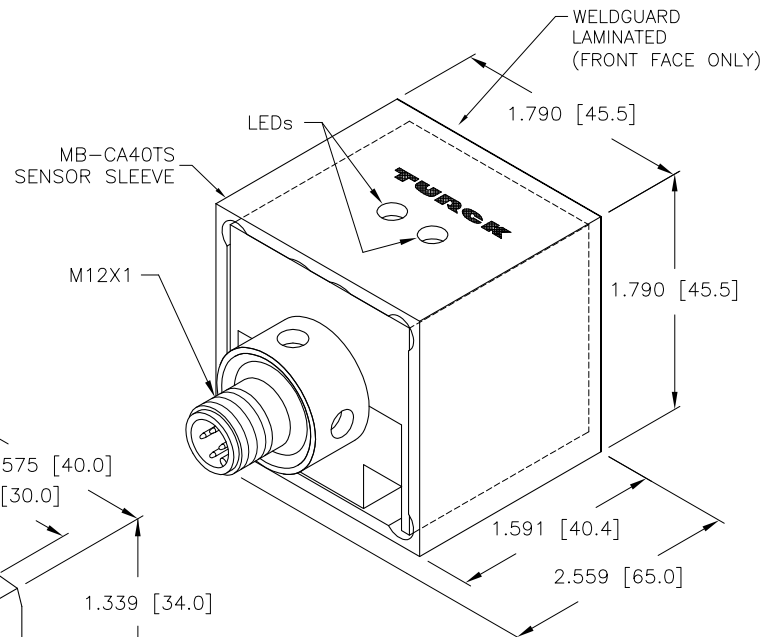


WIRING DIAGRAM



OUTPUT: AP6X2

SHORT-CIRCUIT AND OVERLOAD PROTECTED



NOTES:

1. UPROX HAS WELD FIELD IMMUNITY, SESOR IS SUITABLE FOR USE ON RESISTANCE MACHINES.
2. SENSING HEAD CAN ROTATE TO 5 DIFFERENT SENSING POSITIONS.

SPECIFICATIONS

OPERATING VOLTAGE	10-30 VDC
RIPPLE	≤10%
DIFFERENTIAL TRAVEL (HYSTERESIS)	3-15% (5% TYPICAL)
VOLTAGE DROP ACROSS CONDUCTING SENSOR	≤1.8 V at 200 mA
OUTPUT FUNCTION	NORMALLY OPEN 3-WIRE DC SELF-CONTAINED
SHORT-CIRCUIT PROTECTED	YES
TRIGGER CURRENT FOR OVERLOAD PROTECTION	≥ 220 mA
CONTINUOUS LOAD CURRENT	≤ 200 mA
OFF-STATE (LEAKAGE) CURRENT	<10 μA
NO-LOAD CURRENT	15 mA
TIME DELAY BEFORE AVAILABILITY	< 8 ms
POWER-ON EFFECT PROTECTION	INCORPORATED
REVERSE POLARITY PROTECTION	INCORPORATED
WIRE-BREAK PROTECTION	INCORPORATED
PROTECTION AGAINST TRANSIENTS	EN 60947-5-2
OPERATING TEMPERATURE	0°C TO +70°C (+32°F TO +158°F)
ENCLOSURE	MEETS NEMA 1, 3, 4, 6, 13 AND IEC IP67
SHOCK	30 g, 11 ms
VIBRATION	55 Hz, 1 mm AMPLITUDE (IN ALL 3 PLANES)
LED FUNCTION	GREEN: POWER ON GREEN FLASHING: SHORT-CIRCUIT INDICATION YELLOW: OUTPUT ENERGIZED
RATED OPERATING DISTANCE(Sn)	20 mm = .787" (NOMINAL)
SWITCHING FREQUENCY	260 Hz
REPEATABILITY	≤2% of RATED OPERATING DISTANCE
EMBEDDABLE (SHIELDED)	YES

SOURCE DRAWING - FOR REFERENCE ONLY

RELATED DOCUMENTS 1. 2. 3. 4.	3RD ANGLE PROJECTION 	THIS DRAWING IS PROPERTY OF TURCK INC. USE OF THIS DOCUMENT WITHOUT WRITTEN PERMISSION IS PROHIBITED.	 High Technology Sensors and Automation Controls 3000 CAMPUS DRIVE MINNEAPOLIS, MN 55441 1-800-544-7769 (763) 553-7300 (763) 553-0708 fax turck.com	
	MATERIAL HOUSING: GD ALS112 SLEEVE: TOOL STEEL BRACKET: TOOL STEEL		DRFT JBJ DATE 08/23/01 DSGN WE SCALE 1=1.5	DESCRIPTION BI20U-CA40-AP6X2-H1141/S1591W/BS2.1
FINISH	ALL DIMENSIONS DISPLAYED ON THIS DRAWING ARE FOR REFERENCE ONLY	UNIT OF MEASUREMENT INCH [MILLIMETER]	IDENTIFICATION NO. M1627294	REV D
D UPDATE OPERATING TEMPERATURE, SEE ECO	RWC 12/09/10 33512	DO NOT SCALE THIS DRAWING	FILE: M1627294	SHEET 1 OF 1
REV DESCRIPTION	BY DATE ECO NO.			