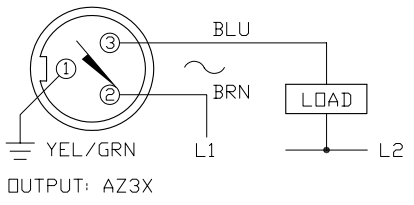
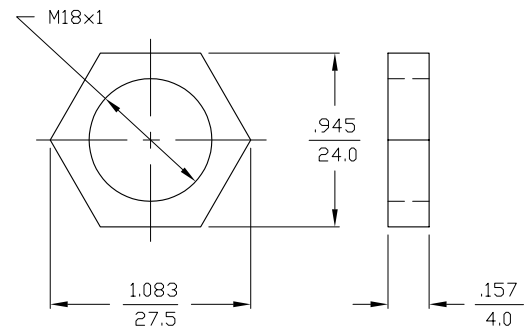


WIRING DIAGRAMS



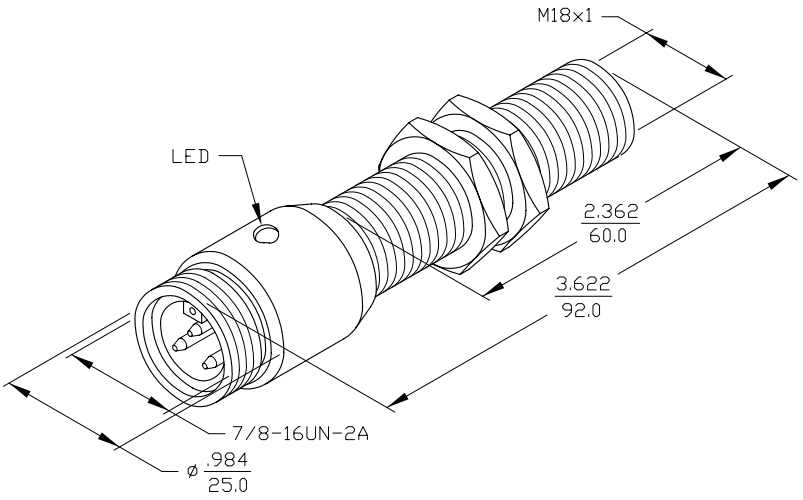
WARNING: NO SHORT-CIRCUIT PROTECTION  
ALWAYS WIRE A LOAD IN SERIES WITH THE SENSOR.

LOCKNUT LN-M18



SPECIFICATIONS

OPERATING VOLTAGE	20-250 VAC/DC
LINE FREQUENCY	40-60 Hz
DIFFERENTIAL TRAVEL (HYSTERESSIS)	3-15% (5% TYPICAL)
VOLTAGE DROP ACROSS CONDUCTING SENSOR	≤7.0 V at 500 mA
OUTPUT FUNCTION -AZ	NORMALLY OPEN 2-WIRE AC SELF-CONTAINED
SHORT-CIRCUIT PROTECTED	NO
CONTINUOUS LOAD CURRENT	≤500 mA
OFF-STATE (LEAKAGE) CURRENT	≤1.7 mA
MINIMUM LOAD CURRENT	≥5.0 mA
INRUSH CURRENT	≤8.0 A (≤10 ms/5 Hz)
TIME DELAY BEFORE AVAILABILITY	≤25 ms
POWER-ON EFFECT PROTECTION	INCORPORATED
PROTECTION AGAINST TRANSIENTS	5 kV, 10 ms, 10 kΩ
OPERATING TEMPERATURE	-25°C to +70°C (-13°F to +158°F)
ENCLOSURE	MEETS NEMA 1, 3, 4, 6, 13 AND IEC IP67
SHOCK	30 g, 11 ms
VIBRATION	55 Hz, 1 mm AMPLITUDE (IN ALL 3 PLANES)
LED FUNCTION	RED: OUTPUT ENERGIZED
SENSING RANGE	5 mm = .197" (NOMINAL)
SWITCHING FREQUENCY	20 Hz
REPEATABILITY	RATED OPERATING SURFACE
EMBEDDABLE (SHIELDED)	YES
MATING PLUGS/CABLES	3-PIN "MINIFAST" CONSTRUCTION



MATERIAL BRASS BARREL	3RD ANGLE PROJECTION 	<b>TURCK INC</b> 3000 CAMPUS DRIVE MINNEAPOLIS, MN 55441 PHONE: (612) 553-9224
FINISH COPPER, NICKEL, CHROME PLATING		
DRWN SMW DATE 3/3/87	DATE	PART NO. Bi5-G18-AZ3X-B1331
CHKD	DATE	SIZE ID NO. B 4372099
DIMENSIONS ARE IN INCHES mm		SCALE NONE BMQD-A\4372099 SHEET DF

C	UPDATE OPERATING VOLTAGE, SEE ECO	RWC	08/09/07	ECO 18320
REV	DESCRIPTION	DRFT	DATE	CHKD
REVISIONS				