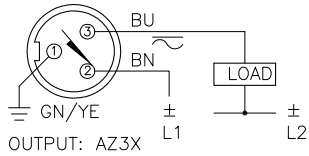
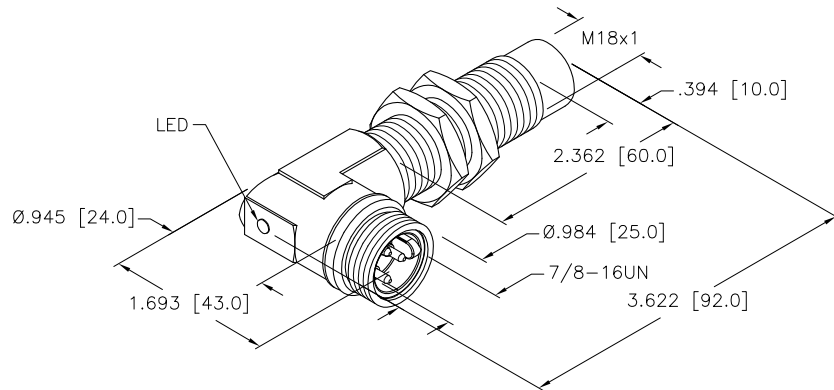


WIRING DIAGRAM



WARNING: NO SHORT-CIRCUIT PROTECTION.
ALWAYS WIRE A LOAD IN SERIES WITH THE SENSOR.



NOTE:
MATERIALS:
BARREL - CHROME PLATED BRASS
LOCKNUTS - CHROME PLATED BRASS
CONNECTOR - CHROME PLATED BRASS
SENSING FACE - PA12-GF30 PLASTIC
CONNECTOR ADAPTER - DIE-CAST ZINC

SPECIFICATIONS

OPERATING VOLTAGE	20-250 VAC, 10-300 VDC
LINE FREQUENCY	40-60 Hz
DIFFERENTIAL TRAVEL (HYSTERESIS)	3-15% (5% TYPICAL)
VOLTAGE DROP ACROSS CONDUCTING SENSOR	<7.0 V at FULL RATED CURRENT
OUTPUT FUNCTION	NORMALLY OPEN 2-WIRE AC/DC
SHORT-CIRCUIT PROTECTED	NO
CONTINUOUS LOAD CURRENT	AC: ≤400 mA; DC: ≤300 mA
OFF-STATE (LEAKAGE) CURRENT	<1.7 mA
MINIMUM LOAD CURRENT	≥5.0 mA
INRUSH CURRENT	≤8.0 A (≤10 ms, 5% DUTY CYCLE)
TIME DELAY BEFORE AVAILABILITY	≤25 ms
POWER-ON EFFECT	Per IEC 947-5-2
TRANSIENT PROTECTION	Per EN 60947-5-2
OPERATING TEMPERATURE	-25°C to +70°C (-13°F to +158°F)
ENCLOSURE	MEETS NEMA 1, 3, 4, 6, 13 AND IEC IP67
SHOCK	30 g, 11 ms
VIBRATION	55 Hz, 1 mm AMPLITUDE (IN ALL 3 PLANES)
LED FUNCTION	RED: OUTPUT ENERGIZED
RATED OPERATING DISTANCE(Sn)	10 mm = .394" (NOMINAL)
SWITCHING FREQUENCY	20 Hz
REPEATABILITY	≤2% OF RATED OPERATING DISTANCE
EMBEDDABLE (SHIELDED)	NO
MATING PLUGS/CABLES	3-PIN "MINIFAST" CONSTRUCTION
LOCKNUT M18x1	24.0 mm AF, 27.5 mm AC, 4.0 mm THK

RELATED DOCUMENTS		3RD ANGLE PROJECTION		THIS DRAWING IS PROPERTY OF TURCK INC. USE OF THIS DOCUMENT WITHOUT WRITTEN PERMISSION IS PROHIBITED.		 High Technology Sensors and Automation Controls		3000 CAMPUS DRIVE MINNEAPOLIS, MN 55441 1-800-544-7769 (763) 553-7300 (763) 553-0708 fax turck.com	
1. 2. 3. 4.				DRFT GMB		DATE 11/23/88		DESCRIPTION	
MATERIAL				DSGN		SCALE 1=2.0		Ni10-G18-AZ3X-B1431 60 mm	
SEE NOTE		ALL DIMENSIONS DISPLAYED ON THIS DRAWING ARE FOR REFERENCE ONLY		UNIT OF MEASUREMENT		IDENTIFICATION NO.		REV	
FINISH		CONTACT TURCK FOR MORE INFORMATION		INCH [MILLIMETER]		T4372599		C	
C UPDATE KEYWAY ORIENTATION		RDS 10/20/03		10665		DO NOT SCALE THIS DRAWING		FILE: T4372599	
REV DESCRIPTION		BY DATE		ECO NO.		SHEET 1 OF 1			