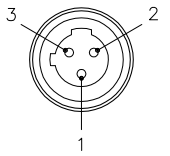


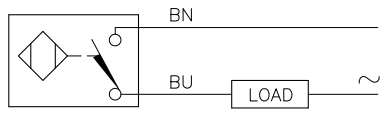
**MALE END VIEW**



1 = N/C  
2 = BROWN  
3 = BLUE



**WIRING DIAGRAM**

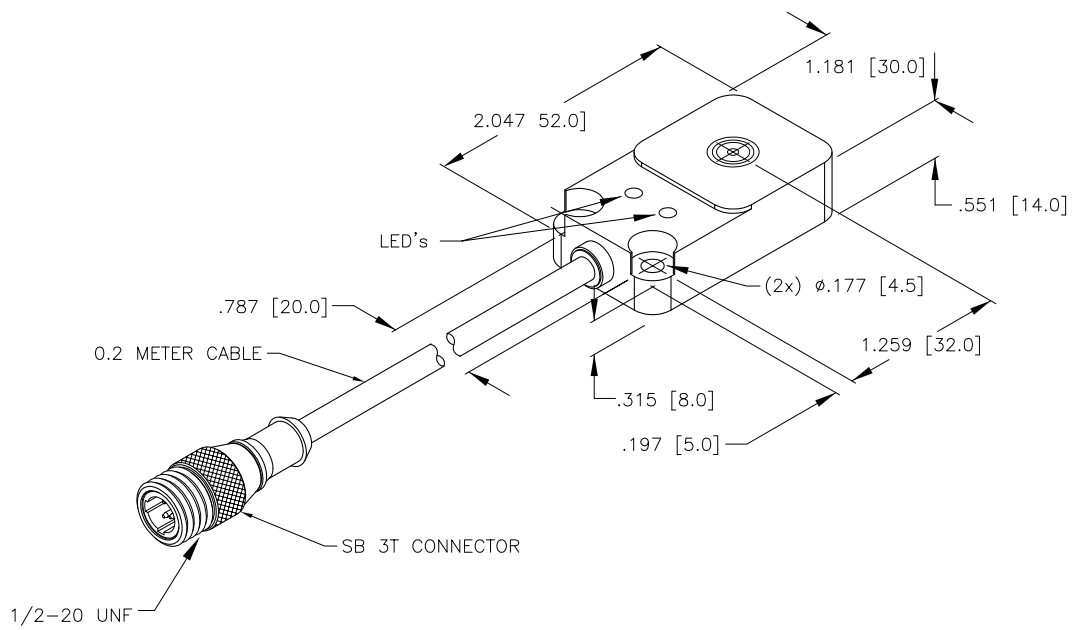


OUTPUT: ADZ32X2

SHORT-CIRCUIT AND OVERLOAD PROTECTED

**SPECIFICATIONS**

RATED OPERATING DISTANCE	10 mm = .394" (NOMINAL)
MOUNTING MODE	FLUSH
TEMPERATURE DRIFT	≤±10%
DIFFERENTIAL TRAVEL (HYSTERESIS)	3-15%
MIN. REPEAT ACCURACY	≤2% of RATED OPERATING DISTANCE
OPERATING TEMPERATURE	-25°C to +70°C (-13°F to +158°F)
OPERATING VOLTAGE	20-250 VAC, 10-300 VDC
RATED OPERATIONAL CURRENT (AC/DC)	≤ 100 mA
LINE FREQUENCY	50-60 Hz
MAX. OFF-STATE CURRENT	≤1.7 mA
MAX. SWITCHING FREQUENCY	≤0.02 kHz
RATED INSULATION VOLTAGE	≤1.5 kV
SURGE CURRENT	≤1.0 A
OUTPUT FUNCTION	2-WIRE, NORMALLY OPEN
SHORT CIRCUIT PROTECTION	INCORPORATED
MAX. VOLTAGE DROP	≤6 V
WIRE-BREAK PROTECTION	INCORPORATED
REVERSE POLARITY PROTECTION	INCORPORATED
MIN. OPERATIONAL CURRENT	≥ 3mA
HOUSING MATERIAL	PLASTIC, PBT-GF30-V0
ACTIVE FACE	PLASTIC, PBT-GF30-V0
CABLE/JACKET MATERIAL/LENGTH	ø5.2, LifyY, PVC, 0.3 METERS
VIBRATION RESISTANCE	55 Hz, (1mm) IN ALL 3 PLANES
SHOCK RESISTANCE	30 g, (11 ms)
DEGREE OF PROTECTION	IP67
SUPPLY VOLTAGE INDICATION	LED: GREEN
SWITCHING STATUS INDICATION	LED: RED



**SOURCE DRAWING - FOR REFERENCE ONLY**

RELATED DOCUMENTS			
1.			
2.			
3.			
4.			
MATERIAL		PLASTIC PBT-GF30-V0	
FINISH			

3RD ANGLE PROJECTION

ALL DIMENSIONS DISPLAYED ON THIS DRAWING ARE FOR REFERENCE ONLY

CONTACT TURCK FOR MORE INFORMATION

THIS DRAWING IS PROPERTY OF TURCK INC. USE OF THIS DOCUMENT WITHOUT WRITTEN PERMISSION IS PROHIBITED.

DRFT RDS		DATE 04/15/05	DESCRIPTION	
DSGN		SCALE 1=1.5	B110-Q14-ADZ32X2-0.2M-SB 3T/S34	
UNIT OF MEASUREMENT			IDENTIFICATION NO.	REV
INCH [ MILLIMETER ]			M4256294	C
DO NOT SCALE THIS DRAWING			FILE: M4256294	SHEET 1 OF 1



3000 CAMPUS DRIVE  
MINNEAPOLIS, MN 55441  
1-800-544-7769  
(763) 553-7300  
(763) 553-0708 fax  
turck.com

C	UPDATE SWITCHING STATUS INDICATION TO RED LED	RDS	02/01/11	34155
REV	DESCRIPTION	BY	DATE	ECO NO.