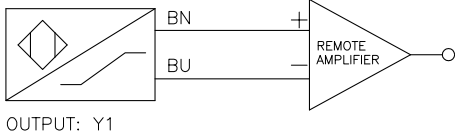
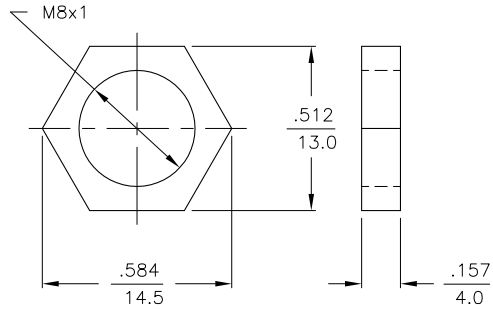


WIRING DIAGRAM

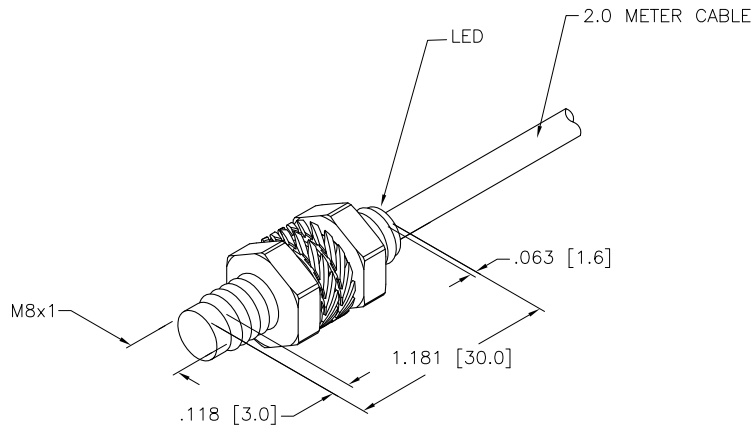


LOCKNUT LN-M8



SPECIFICATIONS

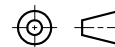
OPERATING VOLTAGE	5-30 VDC
HYSTERESIS	1-10% (5% TYPICAL)
NOMINAL VOLTAGE FOR INTRINSICALLY-SAFE SENSORS	8.2 VDC
OUTPUT FUNCTION	RESISTANCE CHANGE, REQUIRES REMOTE AMPLIFIER
RESISTANCE CHANGE FROM NONACTIVATED TO ACTIVATED CONDITION	1.0 kΩ to >8.0 kΩ
RESULTING CURRENT CHANGE	≥2.2 mA to ≤1.0 mA
RECOMMENDED SWITCHING POINT FOR REMOTE AMPLIFIER	1.55 mA
POWER-ON EFFECT PROTECTION	REALIZED IN AMPLIFIER
REVERSE POLARITY PROTECTION	INCORPORATED
WIRE-BREAK PROTECTION	REALIZED IN AMPLIFIER
TIME DELAY BEFORE AVAILABILITY	≤ 1 ms
PROTECTION AGAINST TRANSIENTS	REALIZED IN AMPLIFIER
OPERATING TEMPERATURE	-25°C to +70°C (-13°F to +158°F)
ENCLOSURE	MEETS NEMA 1, 3, 4, 6, 13 AND IEC IP67
SHOCK	30 g, 11 ms
VIBRATION	55 Hz, 1 mm AMPLITUDE (IN ALL 3 PLANES)
LED FUNCTION	NONE
SENSING RANGE	2 mm = .079"
SWITCHING FREQUENCY	5000 Hz
REPEATABILITY	≤ 2% of RATED OPERATING DISTANCE
EMBEDDABLE (SHIELDED)	NO



RELATED DOCUMENTS

- 1.
- 2.
- 3.
- 4.

3RD ANGLE PROJECTION



THIS DRAWING IS PROPERTY OF TURCK INC. USE OF THIS DOCUMENT WITHOUT WRITTEN PERMISSION IS PROHIBITED.

TURCK INC
High Technology Sensors and Automation Controls

3000 CAMPUS DRIVE
MINNEAPOLIS, MN 55441
1-800-544-7769
(763) 553-7300
(763) 553-0708 fax
turck.com

MATERIAL
BRASS BARREL

FINISH
CHROME/NICKEL/
COPPER PLATING

ALL DIMENSIONS DISPLAYED ON THIS DRAWING ARE FOR REFERENCE ONLY

CONTACT TURCK FOR MORE INFORMATION

DRFT GMB
DSGN

DATE 1/16/89
SCALE 1=1.0

UNIT OF MEASUREMENT
INCH [MILLIMETER]

DO NOT SCALE THIS DRAWING

DESCRIPTION
Ni2-G08-Y1

IDENTIFICATION NO. S1005300
REV C

C	UPDATE BARREL	RDS	06/15/11	35386
REV	DESCRIPTION	BY	DATE	ECO NO.