

Limit Switches

801

General Purpose



801-ASA11



801-ASC17



801-CMC21



801-FSC148



801-ASC1411

Contact Arrangements & Ratings

AC	<ul style="list-style-type: none"> 3 A, 120V 1.5 A, 240V 0.75 A, 480V 0.6 A, 600V 	DC	<ul style="list-style-type: none"> 1.1 A, 115V 0.55 A, 230V 0.2 A, 550V 																
Light Duty																			
C		H																	
D	<table border="1" style="display: inline-table; vertical-align: middle;"> <tr><th>Lever Pos.</th><th>Contact Pos.</th></tr> <tr><td>1</td><td>C O</td></tr> <tr><td>2</td><td>O C</td></tr> </table>	Lever Pos.	Contact Pos.	1	C O	2	O C	N											
Lever Pos.	Contact Pos.																		
1	C O																		
2	O C																		
F	<table border="1" style="display: inline-table; vertical-align: middle;"> <tr><th>Lever Pos.</th><th>Contact Pos.</th></tr> <tr><td>R</td><td>C O</td></tr> <tr><td>Off</td><td>O O</td></tr> <tr><td>L</td><td>O C</td></tr> </table>	Lever Pos.	Contact Pos.	R	C O	Off	O O	L	O C	O									
Lever Pos.	Contact Pos.																		
R	C O																		
Off	O O																		
L	O C																		
G	<table border="1" style="display: inline-table; vertical-align: middle;"> <tr><th>Lever Pos.</th><th>Contact Pos.</th></tr> <tr><td>R</td><td>C O</td></tr> <tr><td>Off</td><td>C C</td></tr> <tr><td>L</td><td>O C</td></tr> </table>	Lever Pos.	Contact Pos.	R	C O	Off	C C	L	O C	K	<table border="1" style="display: inline-table; vertical-align: middle;"> <tr><th>Lever Pos.</th><th>Contact Pos.</th></tr> <tr><td>R</td><td>C O O C</td></tr> <tr><td>Off</td><td>C O C O</td></tr> <tr><td>L</td><td>O C C O</td></tr> </table>	Lever Pos.	Contact Pos.	R	C O O C	Off	C O C O	L	O C C O
Lever Pos.	Contact Pos.																		
R	C O																		
Off	C C																		
L	O C																		
Lever Pos.	Contact Pos.																		
R	C O O C																		
Off	C O C O																		
L	O C C O																		
AC	<ul style="list-style-type: none"> 6A, 120V 3A, 240V 1.5A, 480V 1.2A, 600V 	DC	<ul style="list-style-type: none"> 2.2A, 115V 1.1A, 230V 0.4A, 550V 																
Standard Duty																			

Ambient Temperature Range

0...+40 °C (+32...+104 °F) minimum temperature based on the absence of freezing moisture or water.

Approximate Dimensions [mm (in.)]

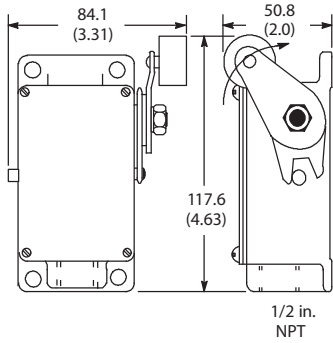


Figure 1, 18

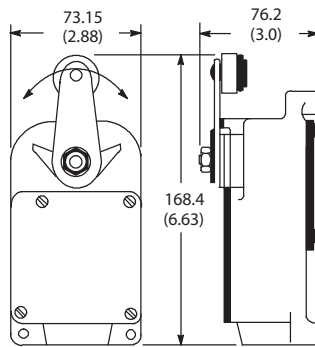


Figure 2, 3, 20

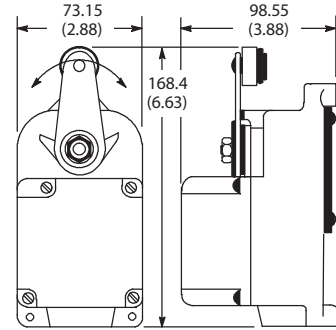


Figure 4

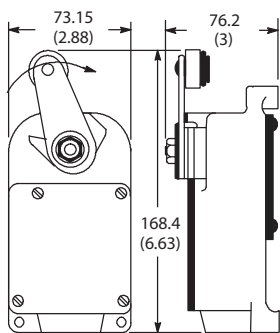


Figure 5, 6, 19

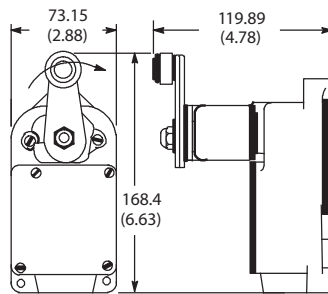


Figure 7, 8

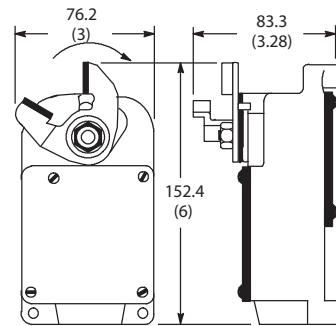


Figure 9

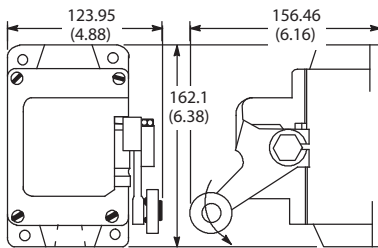


Figure 10, 11

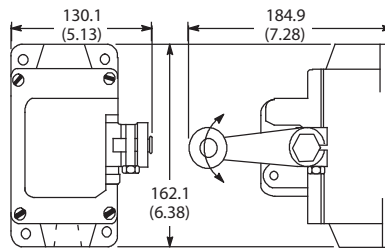


Figure 12

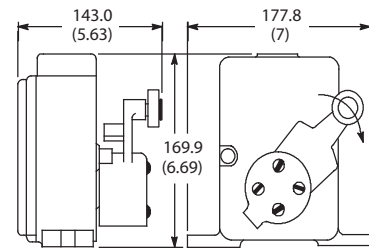


Figure 13

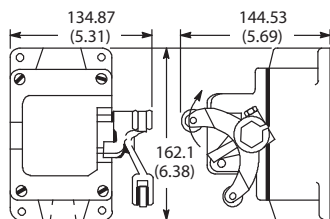


Figure 14

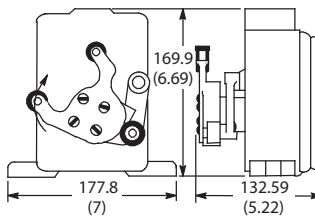


Figure 15

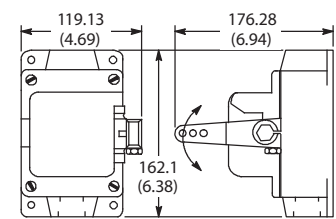


Figure 16