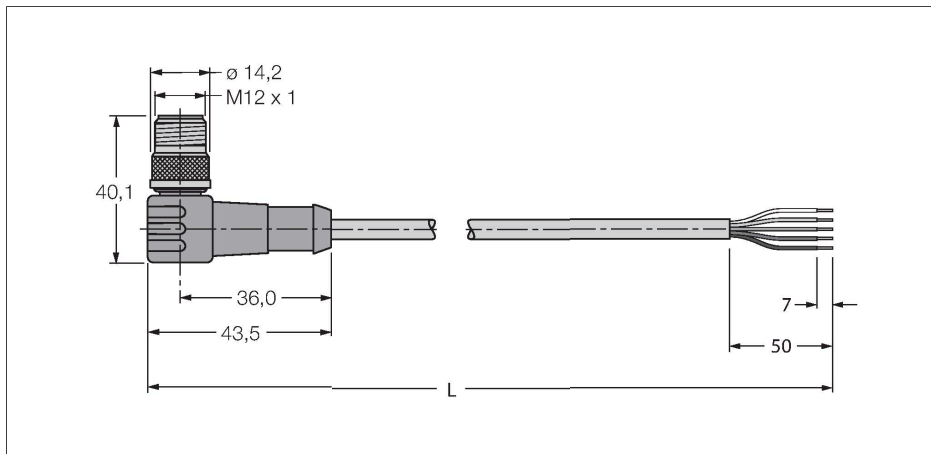


WSC 572-2M

Bus cable for CAN (DeviceNet™, CANopen) – PVC Cable Jacket, Thin



Features

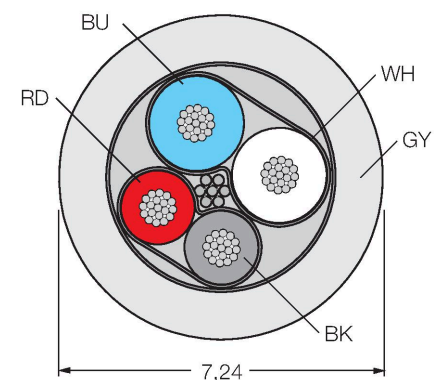


- Jacket material: PVC
- Power pair: AWG 2/22
- Data pair: AWG 2/22
- Jacket color: gray
- UL approval
- Open end
- M12 male connector, angled, A-coded
- Cable length: 2.0 m

Technical data

Type	WSC 572-2M
Ident. no.	U0438-0
Connector A	Connectors, M12 x 1, Angled, A-coding
Number of pins	5
Contacts	Metal, CuZn, Gold-plated
Contact carriers	Plastic, TPU, Blue
Connector body	Plastic, TPU, Blue
Coupling nut/screw	Brass, CuZn, Nickel-plated
Mechanical lifespan	> 100 Mating cycles
Pollution degree	3
Protection class	IP67, Only in screwed condition
Tightening torque (range)	0.8 ... 1 Nm (observe max. torque of mating connector!)
Cable	
Cable	DeviceNet™ CANopen, 572
Cable diameter	Ø 7.2 mm
Cable length	2 m
Cable jacket	PVC, Gray
Shielding	yes
Core insulation	PE (Data), PVC (Power)
Data cable cores	
Core cross-section	2 x 0.34 mm ²
Arrangement of strands	19 x 0.15 mm
Power cable cores	
Cable conductor cross-section	2x 0.34 mm ²
Litz wire arrangement	19 x 0.15 mm
Core colors	Power: RD, BK, Data: WH, BU

Cable Cross-Section



Technical data

Electrical properties at +20 °C	
Rated voltage	250 V
Current	4 A
DC resistance (loop)	59.3 Ω/km
Nom. impedance	126 Ω (1 MHz)
Nom. capacitance	39 pF/m
Mechanical and chemical properties	
Bending radius (stationary installation)	≥ 5 x Ø
Bending radius (flexible use)	≥ 15 x Ø
Stationary	-40 °C...+80 °C
In motion	-30 °C...+75 °C
Other Features	
Qualified for drag chain use	no
Halogen-free	no
LABS free	yes
UV resistance	yes
Approvals	UL, CSA