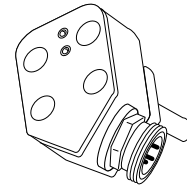


**Weld
Field
Immune**

90° Rotatable Cylindicator® Sensors

**DC
AC/DC**



Proximity Sensors

- Weld Field and Electrical Noise Immunity
- 3000 PSI Pressure Rating
- Standard Latching Short Circuit Protection (SCP), Non-Latching Available in DC Models
- Predictable, Consistent Electrical Performance
- 100% Tested and Burned-in
- Purpose-Designed Housings and Materials

For over 25 years, the Cylindicator sensor has been the standard for industrial applications that require end-of-stroke indication on Hydraulic and Pneumatic Cylinders. Available in several styles, they are the standard for many OEM cylinder manufacturers. All Cylindicators are completely PLC compatible with many output configurations, including a UL Listed Intrinsically Safe version (see EE931 series for details).



Probe Length	3-Pin Mini 2-W, 20-230V AC/DC, N.O.		4-Pin Mini* 3-Wire, 10-30V DC, N.O., 10µA Leakage Current				
	Latching SCP		Non-Latching SCP		Latching SCP		
	1.7mA Leakage Current	4.5mA Leakage Current	SI (NPN)	SO (PNP)	SI (NPN)	SO (PNP)	SI/SO*
	EE230	EE260	EE210-	EE210-	EE210-	EE210-	EE210-
0.915	—	—	EE210-38820	EE210-38800	EE210-38860	EE210-38840	EE210-38880
0.950	EE230-30120	EE260-30120	EE210-30120	EE210-30100	EE210-30160	EE210-30140	EE210-30180
1.025	EE230-30420	EE260-30420	EE210-30420	EE210-30400	EE210-30460	EE210-30440	EE210-30480
1.050	EE230-30520	EE260-30520	EE210-30520	EE210-30500	—	EE210-30540	—
1.125	EE230-30820	EE260-30820	EE210-30820	EE210-30800	EE210-30860	EE210-30840	EE210-30880
1.150	EE230-30920	EE260-30920	—	—	—	—	—
1.225	EE230-31220	—	—	EE210-31200	—	EE210-31240	—
1.250	EE230-31320	EE260-31320	EE210-31320	EE210-31300	EE210-31360	EE210-31340	EE210-31380
1.275	EE230-31420	EE260-31420	—	—	—	—	—
1.295	EE230-31520	EE260-31520	EE210-31520	EE210-31500	EE210-31560	EE210-31540	EE210-31580
1.350	EE230-31720	EE260-31720	—	—	—	EE210-31740	—
1.400	EE230-31920	—	EE210-31920	—	EE210-31960	EE210-31940	EE210-31980
1.475	EE230-32220	EE260-32220	—	—	—	—	—
1.500	EE230-32320	EE260-32320	EE210-32320	EE210-32300	—	EE210-32340	EE210-32380
1.525	EE230-32420	—	—	—	—	—	—
1.625	EE230-32820	—	—	—	—	—	—
1.725	EE230-33220	EE260-33220	EE210-33220	EE210-33200	EE210-33260	EE210-33240	EE210-33280
1.750	EE230-33320	EE260-33320	—	EE210-33300	—	EE210-33340	EE210-33380
1.875	EE230-33820	EE260-33820	EE210-33820	EE210-33800	EE210-33860	EE210-33840	EE210-33880
2.062	EE230-38720	EE260-38720	EE210-38720	EE210-38700	EE210-38760	EE210-38740	EE210-38780
2.125	EE230-34820	EE260-34820	EE210-34820	EE210-34800	EE210-34860	EE210-34840	EE210-34880
2.275	EE230-35420	EE260-35420	EE210-35420	EE210-35400	EE210-35460	EE210-35440	EE210-35480
2.375	EE230-35820	—	—	—	—	—	—
2.775	EE230-37420	EE260-37420	—	—	—	—	—
2.875	EE230-37820	EE260-37820	EE210-037820	EE210-37800	EE210-37860	EE210-37840	EE210-37880
3.750	EE230-39120	—	—	—	—	—	—
3.775	EE230-39020	EE260-39020	—	EE210-39000	—	EE210-39040	—
4.560	EE230-38620	EE260-38620	EE210-38620	—	EE210-38660	EE210-38640	EE210-38680
4.850	EE230-38920	EE260-38920	EE210-38920	EE210-38900	EE210-38960	—	EE210-38980
4.990	EE230-38520	—	EE210-38520	EE210-38500	EE210-38560	—	EE210-38580

* Sink/Source Combination Devices Use a 5-Pin, 4-Wire Connector!

► Consult factory for Normally Closed, DC Sinking, and Cable model availability.

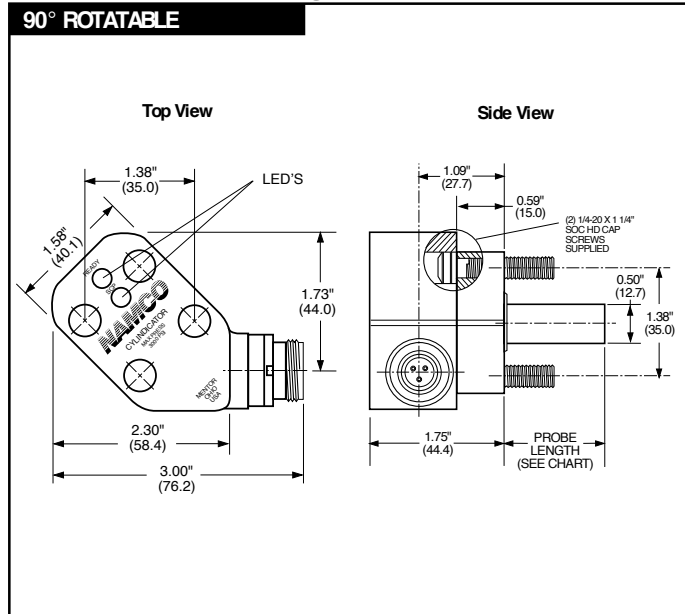
Common Sensor Characteristics

CYLINDRATOR® SENSORS		
	AC/DC	DC
Nominal Sensing Range ($\pm 10\%$)	0.080"	
Current Consumption	1.7 or 4.5mA	10 μ A
Voltage Drop	≈ 10 VAC	2.0V@100mA
Temperature Drift (Max.)	$\pm 10\%$	
Short Circuit Protection	yes	
Reverse Polarity Protected	yes	
Ambient Temperature Range	-4°F to +158°F	
Maximum Switching Frequency	16Hz	
Hysteresis	3-10%	
Repeatability	$\leq \pm 1.25\%$	
Designed to meet NEMA Enclosure Type	4, 6, 12 & 13	
Load Current	5mA to 500mA	200mA max.
LED Indicator	red = power green = target	green = power amber = target
Shipping Weight	12 oz.	

See Cylindicator® Sensor Design Guide Section for details.

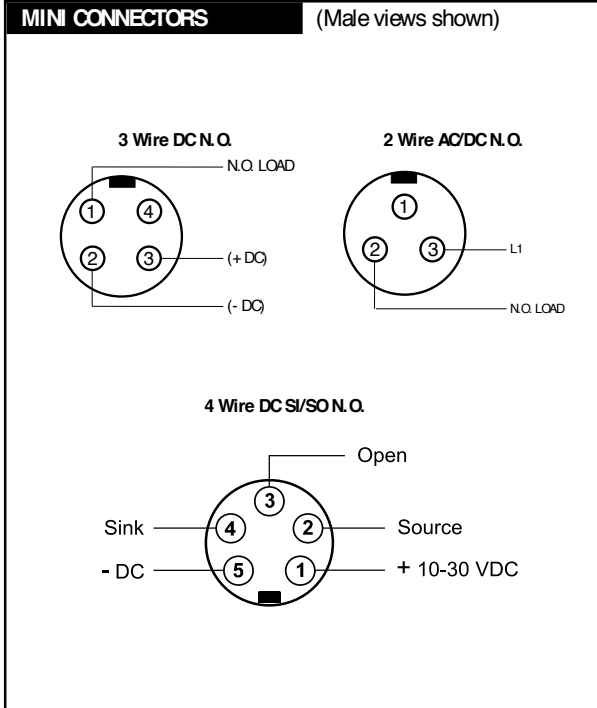
Dimensional Drawings

DC, AC/DC



Proximity Sensors

Circuit Drawings



NAMCO

Namco Controls Corporation
Mayfield Village, OH 44143

(440) 460-1360 • FAX (440) 460-3800 • namcocontrols.com

For technical assistance, call 1-800-NAMTECH