

**MICRO SWITCH**FREEPORT, ILLINOIS, U. S. A.
A DIVISION OF HONEYWELL

FED. MFG. CODE 91929

**ASSEMBLY -
PUSHBUTTON SWITCH**

CATALOG LISTING

IPB533CATALOG LISTING
IPB533
PAGE 1 OF 1**M**
DRAWING NUMBERISSUE
4REPLACES
X 29608

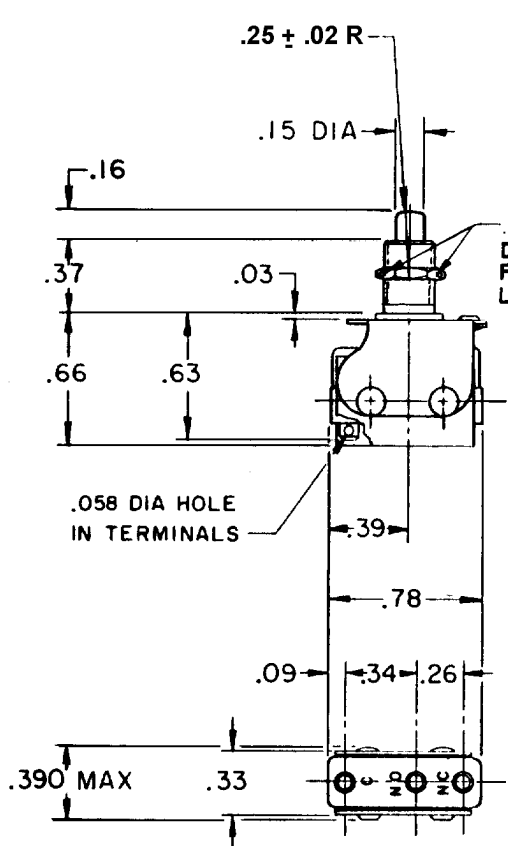
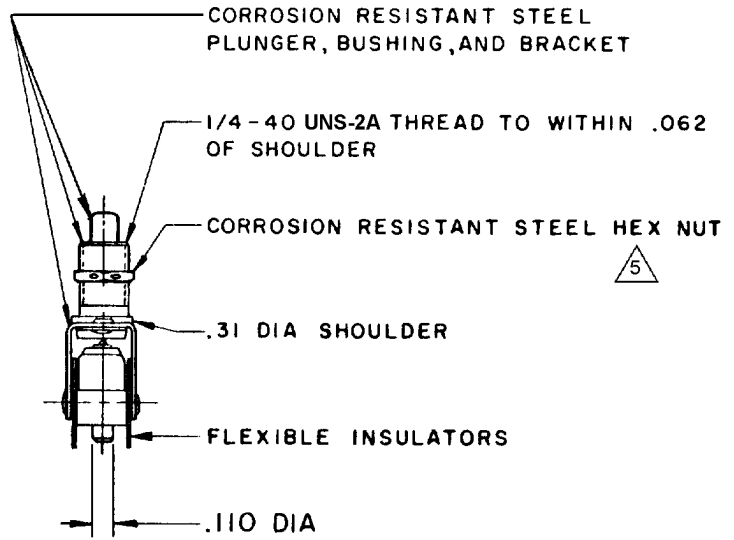
RELEASE NO. SR 12399

CHECK

CHECK

66
AUG 66
LSD

CHECK

DRAWN
OMW 4 AUG 66**.035 ± .010
DIA HOLES
FOR WIRE
LOCKING****NOTES**

- 1 - UNIT INCLUDES "11SM" TYPE BASIC SWITCH
- 2 - TERMINALS ARE PLATED FOR SOLDERING
- 3 - RECOMMENDED FOR MANUAL OPERATION ONLY
- 4 - FOR USE IN TEMPERATURE RANGE -65° F TO +400° F

△ MOUNTING HARDWARE FURNISHED UNASSEMBLED

THIS DRAWING COVERS A PROPRIETARY ITEM AND IS THE PROPERTY OF MICRO SWITCH, A DIVISION OF MINNEAPOLIS-HONEYWELL REGULATOR CO. THIS DRAWING IS NOT TO BE COPIED OR USED WITHOUT THE APPROVAL OF MICRO SWITCH.

| CHARACTERISTICS | ELECTRICAL DATA | SCALE FULL |
|---------------------------------|---------------------------------------|--------------------------|
| OPERATING FORCE-----1 LB APPROX | CONTACT ARRANGEMENT S P D T | DO NOT SCALE PRINT |
| | 250 VAC ----- 5 AMP | UNLESS OTHERWISE NOTED |
| | 30 VOLTS DC RATING | DIMENSIONS ARE IN INCHES |
| | INDUCTIVE ----- SEA LEVEL ----- 3 AMP | TOLERANCES ARE: |
| | 50,000 FT ----- 2.5 AMP | ONE PLACE (.0) ±.030 |
| | RESISTIVE ----- SEA LEVEL ----- 5 AMP | TWO PLACE (.00) ±.015 |
| | 50,000 FT ----- 5 AMP | THREE PLACE (.000) ±.005 |
| OVERTRAVEL ----- .140 APPROX | MAXIMUM INRUSH ----- 24 AMP | ANGLES ± |
| | | WEIGHT |

| REVISIONS | |
|-----------|----------------------------|
| A | 201143 CSL 1 SEP 00 |
| B | 201411 CSL 2 OCT 00 |
| C | 0018502 PM 27 FEB 06 |

FO-80378