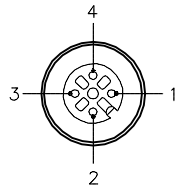
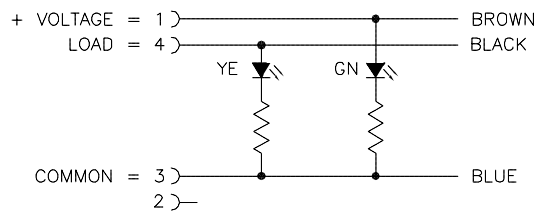
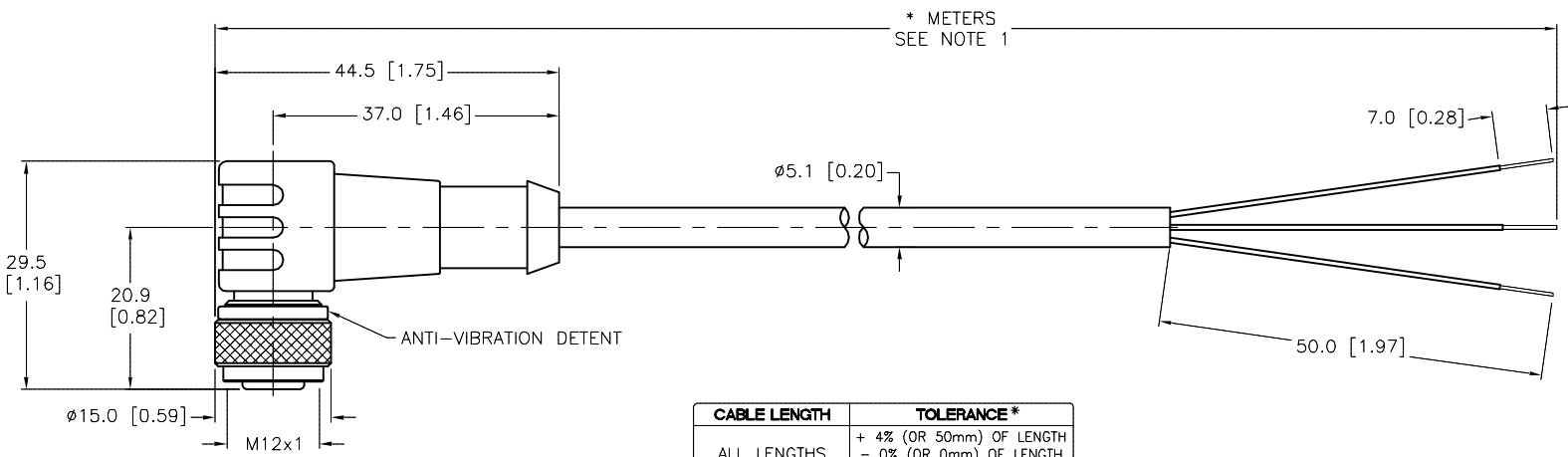
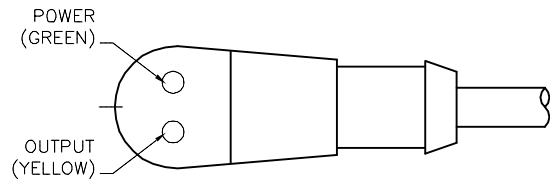
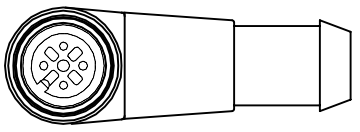


FEMALE END VIEW	WIRING DIAGRAM	SPECIFICATIONS																							
		<table border="1"> <tr><td>CONTACT CARRIER MATERIAL</td><td>NYLON OR TPU</td></tr> <tr><td>MOLDED HEAD MATERIAL/COLOR</td><td>TPU/CLEAR</td></tr> <tr><td>CONTACT MATERIAL/PLATING</td><td>BRASS/GOLD</td></tr> <tr><td>COUPLING NUT MATERIAL/PLATING</td><td>BRASS/NICKEL</td></tr> <tr><td>RATED CURRENT [A]</td><td>4.0 A LOAD CURRENT/8 mA MAX. OPERATING CURRENT</td></tr> <tr><td>RATED VOLTAGE [V]</td><td>10-30 VDC</td></tr> <tr><td>OUTER JACKET MATERIAL/COLOR</td><td>PVC/YELLOW</td></tr> <tr><td>CONDUCTOR INSULATION MATERIAL</td><td>PVC</td></tr> <tr><td>NUMBER OF CONDUCTORS [AWG]</td><td>3x22 AWG</td></tr> <tr><td>TEMPERATURE RANGE</td><td>-40°C to +105°C (-40°F to +221°F)</td></tr> <tr><td>PROTECTION CLASS</td><td>MEETS NEMA 1,3,4,6P AND IEC IP68</td></tr> </table>	CONTACT CARRIER MATERIAL	NYLON OR TPU	MOLDED HEAD MATERIAL/COLOR	TPU/CLEAR	CONTACT MATERIAL/PLATING	BRASS/GOLD	COUPLING NUT MATERIAL/PLATING	BRASS/NICKEL	RATED CURRENT [A]	4.0 A LOAD CURRENT/8 mA MAX. OPERATING CURRENT	RATED VOLTAGE [V]	10-30 VDC	OUTER JACKET MATERIAL/COLOR	PVC/YELLOW	CONDUCTOR INSULATION MATERIAL	PVC	NUMBER OF CONDUCTORS [AWG]	3x22 AWG	TEMPERATURE RANGE	-40°C to +105°C (-40°F to +221°F)	PROTECTION CLASS	MEETS NEMA 1,3,4,6P AND IEC IP68	
CONTACT CARRIER MATERIAL	NYLON OR TPU																								
MOLDED HEAD MATERIAL/COLOR	TPU/CLEAR																								
CONTACT MATERIAL/PLATING	BRASS/GOLD																								
COUPLING NUT MATERIAL/PLATING	BRASS/NICKEL																								
RATED CURRENT [A]	4.0 A LOAD CURRENT/8 mA MAX. OPERATING CURRENT																								
RATED VOLTAGE [V]	10-30 VDC																								
OUTER JACKET MATERIAL/COLOR	PVC/YELLOW																								
CONDUCTOR INSULATION MATERIAL	PVC																								
NUMBER OF CONDUCTORS [AWG]	3x22 AWG																								
TEMPERATURE RANGE	-40°C to +105°C (-40°F to +221°F)																								
PROTECTION CLASS	MEETS NEMA 1,3,4,6P AND IEC IP68																								



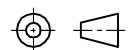
CABLE LENGTH	TOLERANCE*
ALL LENGTHS	+ 4% (OR 50mm) OF LENGTH - 0% (OR 0mm) OF LENGTH WHICHEVER IS GREATER
STRIP LENGTH	TOLERANCE*
0-7mm	±0.5mm
8-29mm	±1.0mm
30-49mm	±2.0mm
50-69mm	±3.0mm
70-100mm	±4.0mm
OVER 100mm	±5.0mm

* UNLESS OTHERWISE SPECIFIED



SOURCE DRAWING - FOR REFERENCE ONLY

- NOTES:
- "*" INDICATES CABLE LENGTH IN METERS. CONTACT TURCK TO ORDER SPECIFIC LENGTHS.
 - "/S715" DESIGNATES YELLOW JACKETED CABLE.

RELATED DOCUMENTS 1. 2. 3. 4.	3RD ANGLE PROJECTION 	THIS DRAWING IS CONFIDENTIAL AND THE PROPERTY OF TURCK INC. USE OF THIS DOCUMENT WITHOUT WRITTEN PERMISSION IS PROHIBITED.	3000 CAMPUS DRIVE MINNEAPOLIS, MN 55441 1-800-544-7769 (763) 553-7300 (763) 553-0708 fax turck.com
MATERIAL SEE SPECIFICATIONS	ALL DIMENSIONS DISPLAYED ON THIS DRAWING ARE FOR REFERENCE ONLY	DRFT RDS DATE 09/20/05 APVD SCALE 1=1.0	DESCRIPTION WK 4T-*--P7X2/S715
FINISH SEE SPECIFICATIONS	CONTACT TURCK FOR MORE INFORMATION	UNIT OF MEASUREMENT MILLIMETER [INCH] DO NOT SCALE THIS DRAWING	IDENTIFICATION NO. REV E FILE: 777003977 SHEET 1 OF 1

E	UPDATE CABLE SPECIFICATIONS	KMY	05/06/14	44654
REV	DESCRIPTION	BY	DATE	ECO NO.