

DGS35-1H402048

DGS35

INCREMENTAL ENCODERS

SICK
Sensor Intelligence.

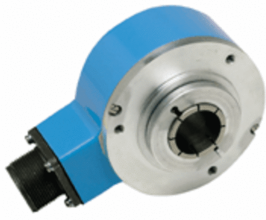


Illustration may differ



Ordering information

Type	Part no.
DGS35-1H402048	7101654

Other models and accessories → www.sick.com/DGS35

Detailed technical data

Performance

Pulses per revolution	1,025 ... 2,500 2,048
------------------------------	--------------------------

Interfaces

Communication interface	Incremental
Communication Interface detail	TTL / RS-422

Electrical data

Connection type	Male connector, MS, 10-pin, radial
Supply voltage	4.5 ... 5.5 V
Output frequency	300 kHz 600 kHz

Mechanical data

Mechanical design	Through hollow shaft
Shaft diameter	1"
Housing material	Aluminum
Start up torque	9 Ncm
Operating torque	7 Ncm
Moment of inertia of the rotor	490 gcm ²

Ambient data

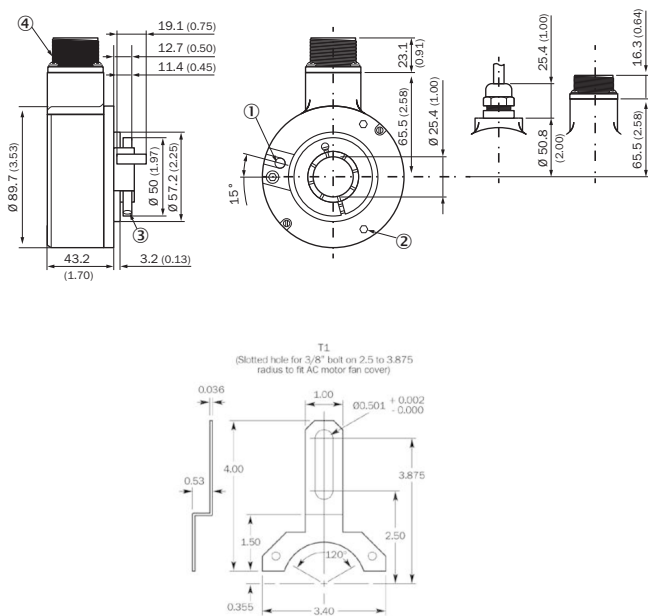
EMC	EN 61000-6-2, EN 61000-6-3
Enclosure rating	IP66
Operating temperature range	-20 °C ... +70 °C
Storage temperature range	-30 °C ... +85 °C

Classifications

ECl@ss 5.0	27270501
ECl@ss 5.1.4	27270501
ECl@ss 6.0	27270590
ECl@ss 6.2	27270590

ECI@ss 7.0	27270501
ECI@ss 8.0	27270501
ECI@ss 8.1	27270501
ECI@ss 9.0	27270501
ECI@ss 10.0	27270501
ECI@ss 11.0	27270501
ETIM 5.0	EC001486
ETIM 6.0	EC001486
UNSPSC 16.0901	41112113

Dimensional drawing (Dimensions in mm (inch))



Connection diagram

Function	10 pin	Cable
A	A	White
B	B	Pink
M	C	Lilac
A not	H	Brown
B not	I	Black
M not	J	Yellow
+Vs	D	Red
Common	F	Blue
Case ground	G	N/A
Shield	N/A	N/A

SICK AT A GLANCE

SICK is one of the leading manufacturers of intelligent sensors and sensor solutions for industrial applications. A unique range of products and services creates the perfect basis for controlling processes securely and efficiently, protecting individuals from accidents and preventing damage to the environment.

We have extensive experience in a wide range of industries and understand their processes and requirements. With intelligent sensors, we can deliver exactly what our customers need. In application centers in Europe, Asia and North America, system solutions are tested and optimized in accordance with customer specifications. All this makes us a reliable supplier and development partner.

Comprehensive services complete our offering: SICK LifeTime Services provide support throughout the machine life cycle and ensure safety and productivity.

For us, that is “Sensor Intelligence.”

WORLDWIDE PRESENCE:

Contacts and other locations –www.sick.com