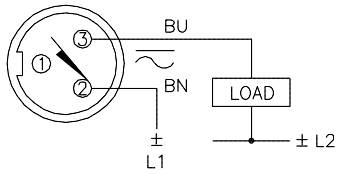
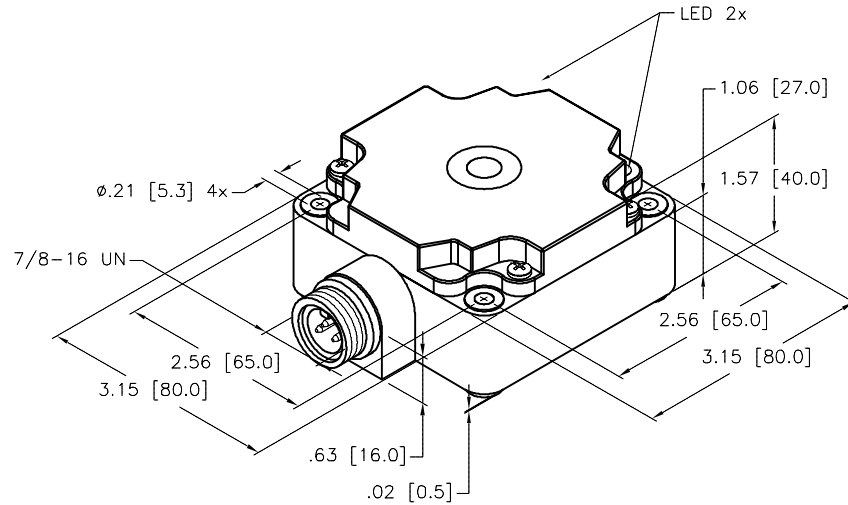


WIRING DIAGRAM



SHORT-CIRCUIT AND OVERLOAD PROTECTED



SPECIFICATIONS

| | |
|-----------------------------------|-----------------------------------|
| RATED OPERATING DISTANCE | 75mm [2.953"] |
| MOUNTING MODE | NON-FLUSH |
| TEMPERATURE DRIFT | ≤±10% ≤±15%, ≤ -25°C v ≥ +70°C |
| HYSTERESIS | 3-15% |
| MIN. REPEAT ACCURACY | ≤ 2% |
| OPERATING TEMPERATURE | -30°C to +85°C (-22°F to +185°F) |
| RATED OPERATIONAL VOLTAGE (AC/DC) | 20-250 VAC/10-300 VDC |
| RATED OPERATIONAL CURRENT (AC/DC) | ≤ 400 mA/≤ 300 mA |
| MAINS FREQUENCY | 50-60 Hz |
| RESIDUAL CURRENT | ≤ 1.7 mA |
| RATED INSULATION VOLTAGE | ≤ 1.5 kV |
| SURGE CURRENT | ≤ 3.0 A(≤ 20 ms MAX. 5 Hz) |
| SHORT-CIRCUIT PROTECTION | YES |
| MAX. VOLTAGE DROP | ≤ 6.0 v |
| WIRE BREAKAGE PROTECTION | INCORPORATED |
| REVERSE POLARITY PROTECTION | INCORPORATED |
| OUTPUT FUNCTION | 2-WIRE, NORMALLY OPEN |
| SMALLEST OPERATING CURRENT | ≥ 3.0 mA |
| MAX. SWITCHING FREQUENCY | ≤ 0.01 kHz |
| HOUSING MATERIAL | PLASTIC, PBT-GF30-VO |
| ACTIVE FACE MATERIAL | PLASTIC, PBT-GF30-VO |
| VIBRATION RESISTANCE | 55 Hz (IN ALL 3 PLANES) |
| SHOCK RESISTANCE | 30 g, 11 ms |
| DEGREE OF PROTECTION | IP 67 |
| OPERATING VOLTAGE DISPLAY | LED: GREEN |
| SWITCHING STATUS INDICATION | LED: YELLOW |
| SHORT-CIRCUIT INDICATION | LED: GREEN-FLASHING |

SOURCE DRAWING - FOR REFERENCE ONLY

| | | | | | |
|-------------------------------------------|-----------------------------------------------------------------------------------------------------------|----------------------------------------------------------------------------------------------------------------------------|---------------|------------------------------------------------------------------------------------------------------------------------------------------------------------------------------------------|--------------|
| RELATED DOCUMENTS 1. 2. 3. 4. | 3RD ANGLE PROJECTION | THIS DRAWING IS CONFIDENTIAL AND THE PROPERTY OF TURCK INC. USE OF THIS DOCUMENT WITHOUT WRITTEN PERMISSION IS PROHIBITED. | | TURCK INC High Technology Sensors and Automation Controls 3000 CAMPUS DRIVE MINNEAPOLIS, MN 55441 1-800-544-7769 (763) 553-7300 (763) 553-0708 fax turck.com | |
| | MATERIAL | DRFT CBM | DATE 09/13/00 | DESCRIPTION Ni75U-CP80-FDZ30X2-B1131 | |
| FINISH | ALL DIMENSIONS DISPLAYED ON THIS DRAWING ARE FOR REFERENCE ONLY CONTACT TURCK FOR MORE INFORMATION | APVD | SCALE 1=2.0 | IDENTIFICATION NO. M4280991 | |
| | | UNIT OF MEASUREMENT INCH [MILLIMETER] | | REV C | |
| NOTE: ALL DIMENSIONAL TOLERANCES ±1.0 mm. | | DO NOT SCALE THIS DRAWING | | FILE: M4280991 | SHEET 1 OF 1 |

| | | | | |
|-----|------------------------------------------|----|----------|---------|
| C | UPDATED SPECS AND WIRING DIAGRAM PER ECO | TV | 04/21/16 | 54543 |
| REV | DESCRIPTION | BY | DATE | ECO NO. |