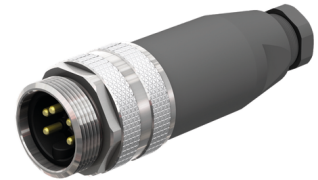
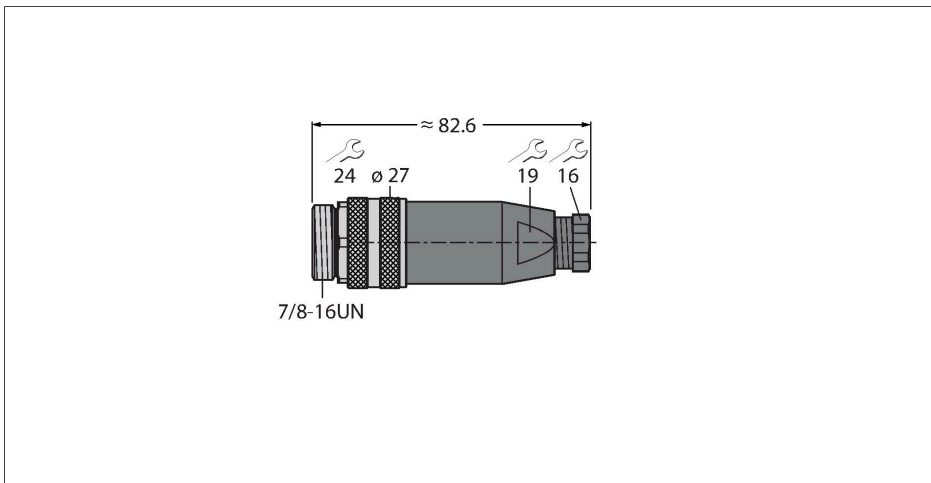


BS4151-0/9

7/8" Round Connector – Field wireable, male connector, straight



Features



- Metal coupling nut
- UL approval
- Screw-clamp terminal
- 5-pin
- PG9 screw-in thread
- Cable feedthrough 6.0...8.0 mm

Contact assignment



Technical data

| | |
|---|--|
| Type | BS4151-0/9 |
| Ident. no. | 6904718 |
| Connector A | Field-wireable Connector, 7/8", Straight |
| Number of pins | 5 |
| Contacts | Brass, CuZn, Gold-plated |
| Contact carriers | Plastic, PA 66 (UL 94 HB), Black |
| Connector body | Plastic, PBT(UL 94 V0), Black |
| Coupling nut/screw | Die-cast Zinc, GD-Zn, Nickel-plated |
| Screw-in thread | PG9 |
| External diameter of the cable | min. 6...8 mm |
| Core cross-section/Clamping ability | 0.14...1.5 |
| Connection mode | Screw/clamp connection |
| Mechanical lifespan | > 50 Mating cycles |
| Pollution degree | 3 |
| Protection class | IP67, (screwed together) |
| Cable | DeviceNet™ CANopen |
| Shielding | no |
| Electrical properties at +20 °C | |
| Rated voltage | 600 V |
| Current | 9 A |
| Insulation resistance | ≥ 10 ⁸ Ω |
| forward resistance | ≤ 3 mΩ |
| Mechanical and chemical properties | |
| Stationary | -25 °C...+85 °C |
| Approvals | UL |

Technical data

Note

- We reserve the right to make technical modifications without prior notice.
