

## DC Micro Style, 20 and 22 AWG, LED or Coiled



4-pin DC Micro Cordset

### Specifications

Attribute	Value
Certifications	UL Recognized and CSA Certified
<b>Mechanical</b>	
Coupling nut material	Epoxy-coated zinc
Material	Molded oil-resistant PVC
Contact material	Gold over nickel-plated brass
Cable type	Oil-resistant yellow PVC jacket, 20 or 22 AWG stranded copper, 300V, UL Recognized and CSA Certified
Bend radius	10x diameter
Cable diameter [mm (in.)]	LED: 5 (0.2) Coiled: 7.1 (0.28)
<b>Electrical</b>	
Cable rating	LED models: UL AWM style 2661 VW-1 105C 300V, CSA AWM A/B I/II 80C 300V FT1, UV oil and water resistant
Assembly rating	30V, 4 A
<b>Environmental</b>	
Enclosure type rating	IP67, NEMA 6P
Temperature rating	-20...+105 °C (-4...+221 °F)

## Product Selection

### LED Cordsets

No. of Pins	Jacket Material	Wire Size [AWG]	Color Code	Output Type LED	Cat. No. <sup>(1)</sup>	
					Straight Female	Right Angle Female
4-pin/3-wire DC micro	Yellow PVC	22	A	PNP	889D-B3AC-2	889D-P3AC-2
4-pin				NPN	889D-A3AC-2	889D-N4AC-2
			B	PNP	889D-B4AC-2	889D-P4AC-2
NPN				889D-A4AC-2	889D-N4AC-2	

(1) The 2 at the end of the catalog number is for a 2 m (6.56 ft) cable length. Replace the 2 with a 5 (5 m) or 10 (10 m) for standard cable lengths.

Change AC to:	For:	
AE	18 AWG	Yellow PVC Cable
AB	24 AWG	Yellow PVC Cable
EC	22 AWG	Yellow PVC, Braided Shield Cable
FC	22 AWG	Yellow PVC, Foil Shield Cable
BC	22 AWG	Black PVC Cable
BB	24 AWG	Black PVC Cable
HJ	18 AWG	TPE Cable
HB	24 AWG	TPE Cable
UC	22 AWG	PUR Cable
UB	24 AWG	PUR Cable
JB	24 AWG	Black PUR Hallogen Free

### Coiled Cordsets

Cable No. of Pins	Assembly Rating	Color Code	Cat. No.
			Straight Female
4-pin	20 AWG, 250V, 4 A	A	889D-F4AD-C5F

**Patchcords**

No. of Pins		Jacket Material	Wire Size	Color Code	Output Type	Cat. No. <sup>(1)</sup>			
Female	Male					LED	Straight Female Straight Male	Straight Female Right Angle Male	Right Angle Female Straight Male
3-pin	4-pin	Yellow PVC	22 AWG	A	PNP	889D-B3ACDM-2	889D-B3ACDE-2	889D-P3ACDM-2	889D-P3ACDE-2
					NPN	889D-A3ACDM-2	889D-A3ACDE-2	889D-N3ACDM-2	889D-N3ACDE-2
4-pin	4-pin				PNP	889D-B4ACDM-2	889D-B4ACDE-2	889D-P4ACDM-2	889D-P4ACDE-2
					NPN	889D-A4ACDM-2	889D-A4ACDE-2	889D-N4ACDM-2	889D-N4ACDE-2

(1) The 2 at the end of the catalog number is for 2 m (6.56 ft) cable length. Replace the 2 with 5 (5 m) or 10 (10 m) for standard cable lengths.

Change AC to:	For:	
AE	18 AWG	Yellow PVC Cable
AC	22 AWG	Yellow PVC Cable
AB	22 AWG	Yellow PVC Cable
EC	22 AWG	Yellow PVC, Braided Shield Cable
BC	22 AWG	Black PVC Cable
BB	24 AWG	Black PVC Cable
HJ	18 AWG	TPE Cable
HB	24 AWG	TPE Cable
UC	22 AWG	PUR Cable
UB	24 AWG	PUR Cable
JB	24 AWG	Black PUR Hallogen Free

**Patchcords—Threaded**

No. of Pins		Jacket Material	Wire Size	Color Code	Output Type	Cat. No. <sup>(1)</sup>			
Female	Male					LED	Straight Female Straight Male	Straight Female Right Angle Male	Right Angle Female Straight Male
4-pin	4-pin	Yellow PVC	22 AWG	A	PNP	889D-B3ABPM-2	889D-B3ABPE-2	889D-P3ABPM-2	889D-P3ABPE-2
					NPN	889D-A3ABPM-2	889D-A3ABPE-2	889D-N3ABPM-2	889D-N3ABPE-2

(1) The 2 at the end of the catalog number is for 2 m cable length. Replace the 2 with 5 (5 m) or 10 (10 m) for standard cable lengths.

Change AB to:	For:	
BB	24 AWG	Black PVC Cable
HB	24 AWG	TPE Cable
UB	24 AWG	PUR Cable
JB	24 AWG	Black PUR Hallogen Free

**Patchcords—Snap On**

No. of Pins		Jacket Material	Wire Size	Color Code	Output Type	Cat. No. <sup>(1)</sup>			
Female	Male					Straight Female	Straight Female Right Angle Male	Right Angle Female Straight Male	Right Angle Female Right Angle Male
4-pin	4-pin	Yellow PVC	24 AWG	A	—	889D-B3UBPG-2	889D-B3UBPH-2	889D-P3UBPG-2	889D-P3UBPH-2
						889D-A3UBPG-2	889D-A3UBPH-2	889D-N3UBPG-2	889D-N3UBPH-2

(1) The 2 at the end of the catalog number is for 2 m cable length. Replace the 2 with 5 (5 m) or 10 (10 m) for standard cable lengths.

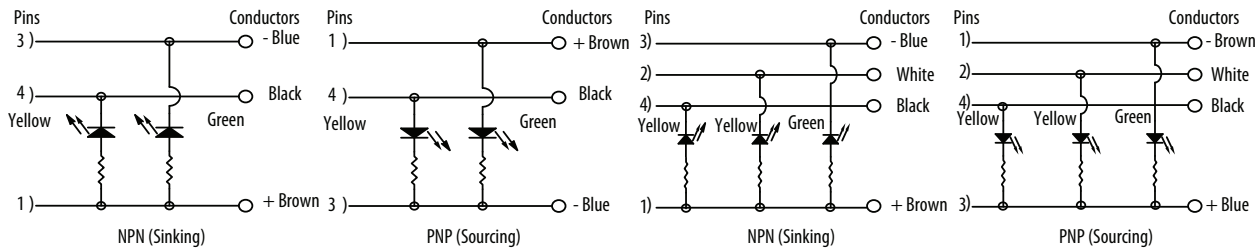
Change UB to:	For:	
JB	24 AWG	Black PUR Hallogen Free

**IMPORTANT** PNP cable used with PNP sensor output. NPN cable used with NPN sensor output.  
Stainless steel models are available by changing 889D to 889DS.

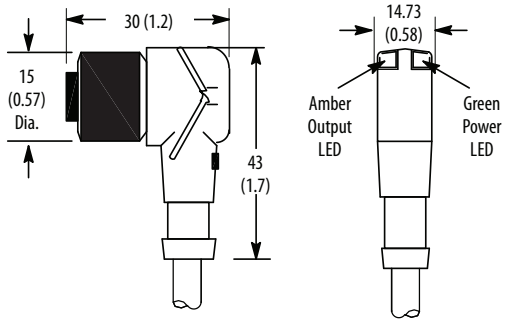
**Pinout and Color Code**

Color Code	Face View Pinout	
	4-pin	
A	1 Brown	3 Blue
	2 Not Used	4 Black
B	1 Brown	3 Blue
	2 White	4 Black

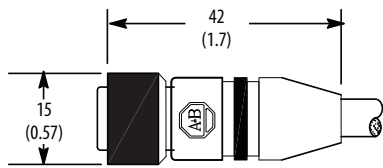
**Wiring Diagrams**



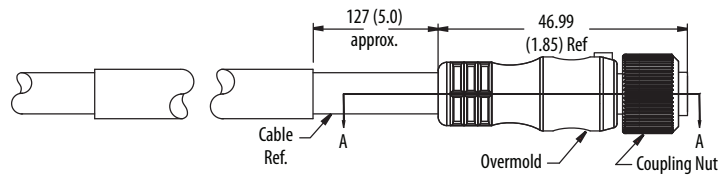
### Approximate Dimensions [mm (in.)]



Right Angle Female



Straight Female



Cable Coiling

