

Safety switch NM..HB with lever arm

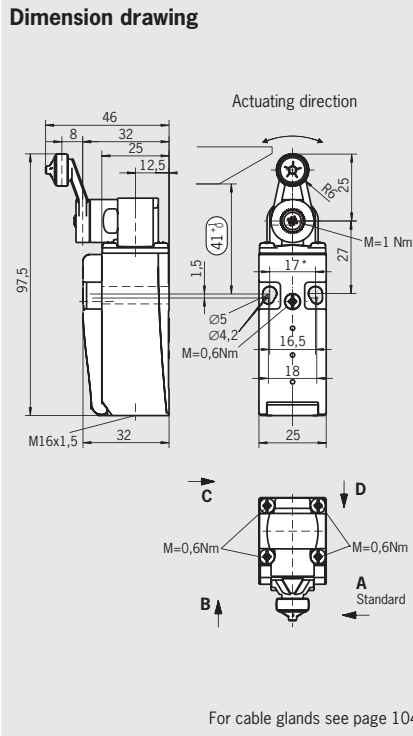


Approach direction
 Horizontal
 Adjustable in 90° steps.

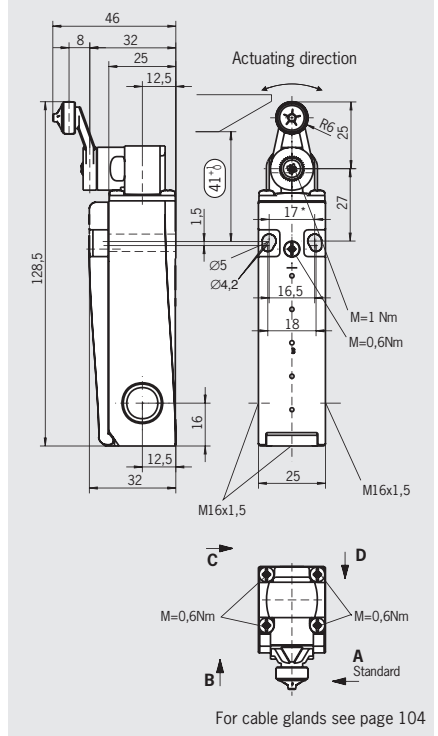
Switching elements

- ▶ **ES01** Slow-action switching contact
1 NC ⊖
- ▶ **ES11** Slow-action switching contact
1 NC ⊖ + 1 NO
- ▶ **ES02** Slow-action switching contact
2 NC ⊖
- ▶ **ES12** Slow-action switching contact
2 NC ⊖ + 1 NO
- ▶ **ES03** Slow-action switching contact
3 NC ⊖

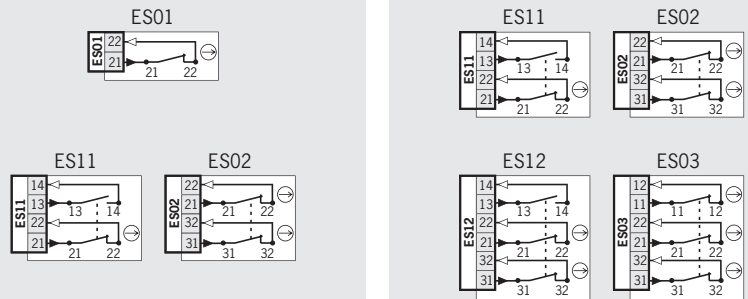
Cable entry M16 x 1.5 Short housing



Cable entry M16 x 1.5 Long housing



Wiring diagrams Switch not activated



Ordering table

Series	Actuator	Connection	Housing	Switching element	Order no./item
NM	HB Lever arm	Cable entry 1 x M16 x 1.5		01 1 NC ⊖	084527 NM01HBA-M
				11 1 NC ⊖ + 1 NO	095369 NM11HBA-MC2069
				02 2 NC ⊖	095368 NM02HBA-MC2069
		Cable entry 3 x M16 x 1.5		11 1 NC ⊖ + 1 NO	084528 NM11HBA-M
				02 2 NC ⊖	084529 NM02HBA-M
				12 2 NC ⊖ + 1 NO	084530 NM12HBA-M
			03 3 NC ⊖	084531 NM03HBA-M	