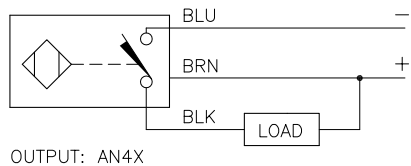


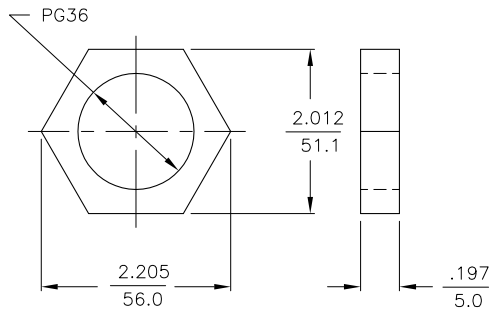
WIRING DIAGRAMS



OUTPUT: AN4X

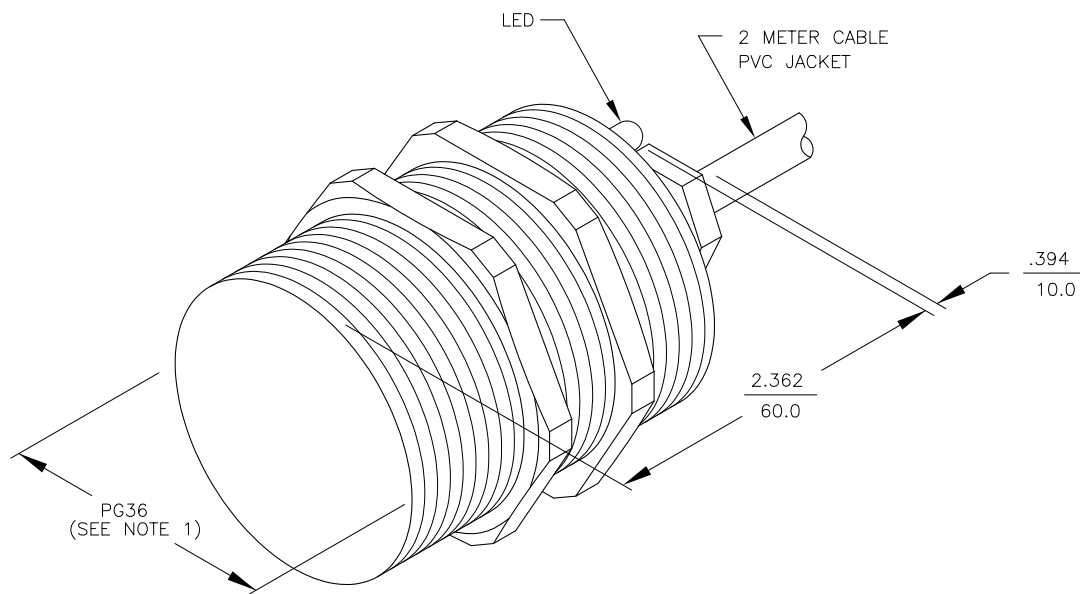
SHORT-CIRCUIT AND OVERLOAD PROTECTED

LOCKNUT LN-PG36



SPECIFICATIONS

OPERATING VOLTAGE	10-65 V DC (SHORT-CIRCUIT PROTECTED)
RIPPLE	≤ 10%
HYSTERESIS (DIFFERENTIAL TRAVEL)	3-15% (5% TYPICAL)
VOLTAGE DROP ACROSS CONDUCTING SENSOR	≤ 1.8 V at 200 mA
OUTPUT FUNCTION	NORMALLY OPEN 3-WIRE DC SELF-CONTAINED
TTL COMPATIBLE	NO
SHORT-CIRCUIT PROTECTED	YES
TRIGGER CURRENT FOR OVERLOAD PROTECTION	≥ 220 mA
CONTINUOUS LOAD CURRENT	≤ 200 mA
LEAKAGE (OFF-STATE) CURRENT	< 10µ A
NO-LOAD CURRENT	4.0-9.5 mA
TIME DELAY BEFORE AVAILABILITY	≤ 25 ms
POWER-ON EFFECT PROTECTION	INCORPORATED
POLARITY INVERSION PROTECTION	INCORPORATED
WIRE BREAK PROTECTION	INCORPORATED
PROTECTION AGAINST TRANSIENTS	2 kV, 1ms, 1 kΩ
OPERATING TEMPERATURE	-25°C to +70°C (-13°F to +158°F)
ENCLOSURE	MEETS NEMA 1, 3, 4, 6, 13 AND IEC IP67
SHOCK	30 g, 11 ms
VIBRATION	55 Hz, 1 mm AMPLITUDE (IN ALL 3 PLANES)
LED FUNCTION	RED: OUTPUT ENERGIZED
SENSING RANGE	20 mm = .787" (NOMINAL)
SWITCHING FREQUENCY	100 Hz
REPEATABILITY	≤ 2%
SHIELDED	YES



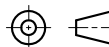
NOTES:

1. EUROPEAN TYPE PIPE THREAD. APPROXIMATELY 1.850"/47 mm IN DIAMETER.

RELATED DOCUMENTS

- 1.
- 2.
- 3.
- 4.

3RD ANGLE PROJECTION



THIS DRAWING IS PROPERTY OF TURCK INC. USE OF THIS DOCUMENT WITHOUT WRITTEN PERMISSION IS PROHIBITED.

TURCK INC
High Technology Sensors and Automation Controls

3000 CAMPUS DRIVE
MINNEAPOLIS, MN 55441
1-800-544-7769
(763) 553-7300
(763) 553-0708 fax
turck.com

MATERIAL
BRASS BARREL

FINISH
COPPER/NICKEL/
CHROME PLATING

ALL DIMENSIONS DISPLAYED ON THIS DRAWING ARE FOR REFERENCE ONLY

CONTACT TURCK FOR MORE INFORMATION

DRFT SMW

DSGN

DATE 3/14/86

SCALE NONE

DESCRIPTION
Bi20-G47-AN4X

UNIT OF MEASUREMENT
INCH [MILLIMETER]

IDENTIFICATION NO.
M1574500

REV
C

C	UPDATE TO CURRENT TITLEBLOCK	RDS	07/17/02	5504
---	------------------------------	-----	----------	------

REV	DESCRIPTION	BY	DATE	ECO NO.
-----	-------------	----	------	---------

DO NOT SCALE THIS DRAWING

FILE: M1574500 SHEET 1 OF 1