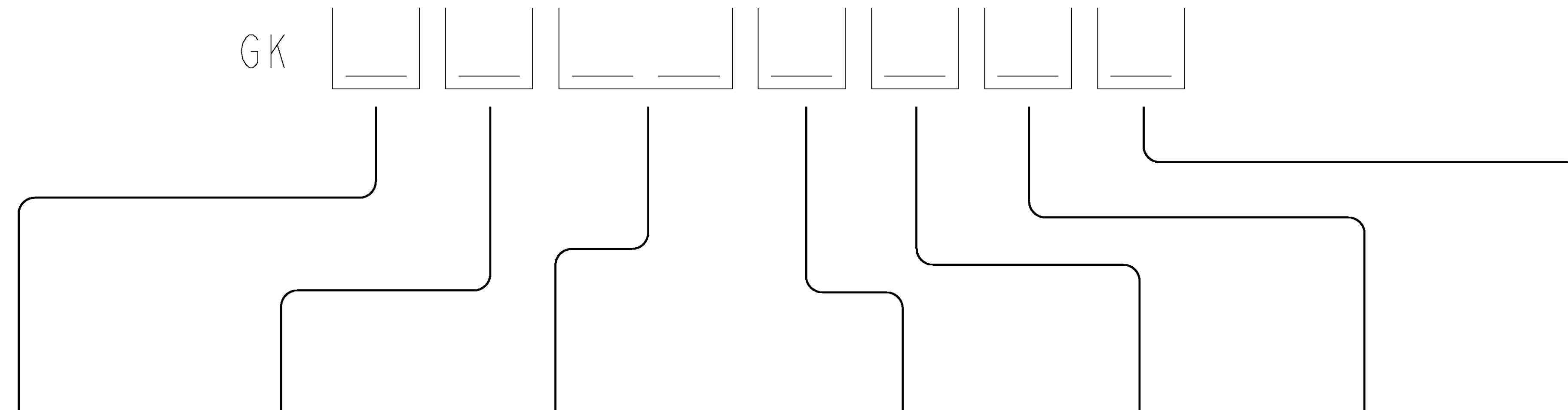


SOLENOID KEY OPERATED SAFETY INTERLOCK NOMENCLATURE



BODY / INDICATOR		CONDUIT / SEAL		BASIC		HEAD		KEY		TYPE / OVER-RIDE		VOLTAGE	
L	HEAD TO LEFT - WITH INDICATORS	A	1/2 NPT - VITON SEALS	2	2 SNAP ACTION DPDT	A	OPENING TO FRONT WITHOUT DETENT	1	STRAIGHT	A	SOLENOID UNLOCK WITH SCREWDRIVER	1	12 VDC
R	HEAD TO RIGHT - WITH INDICATORS	B	PG 13.5 - VITON SEALS	3	2 SLOW ACTING SPDT BBM	B	OPENING TO RIGHT WITHOUT DETENT	2	90 DEGREE		SLOT OVER-RIDE	2	24 VDC
F	HEAD TO LEFT - WITHOUT INDICATORS	C	20 MM - VITON SEALS	6	SLOW ACTING 2 NC	C	OPENING TO BACK WITHOUT DETENT	3	UP-DOWN	B	SOLENOID UNLOCK WITHOUT OVER-RIDE	3	48 VDC
G	HEAD TO RIGHT - WITHOUT INDICATORS	D	PF 1/2 - VITON SEALS	10	SLOW ACTING 4 NC	D	OPENING TO LEFT WITHOUT DETENT	4	LEFT-RIGHT	C	SAME AS "A" FOR GM ONLY	4	120 VAC
		E	1/2 NPT - BUNA-N SEALS	12	SLOW ACTING 2 NC - 1 NO BBM	E	HEAD WITHOUT DETENT UNASSEMBLED TO BODY	X	NO KEY	S	SOLENOID LOCK WITH SCREWDRIVER	6	240 VAC
		F	PG 13.5 - BUNA-N SEALS	14	SLOW ACTING 2 NC - 2 NO BBM	F	OPENING TO FRONT WITH DETENT				SLOT OVERRIDE	7	24 VAC
		G	20 MM - BUNA-N SEALS	16	SLOW ACTING 3 NC - 1 NO BBM	G	OPENING TO RIGHT WITH DETENT			T	SOLENOID LOCK WITHOUT OVER-RIDE		
		H	PF 1/2 - BUNA-N SEALS	30	2 SLOW ACTING 4 NC - GOLD	H	OPENING TO BACK WITH DETENT						
				32	2 SLOW ACTING 2 NC - 1 NO BBM - GOLD	J	OPENING TO LEFT WITH DETENT						
				34	2 SLOW ACTING 2 NC - 2 NO BBM - GOLD	K	HEAD WITH DETENT UNASSEMBLED TO BODY						
				36	2 SLOW ACTING 3 NC - 1 NO BBM - GOLD								
				40	2 SLOW ACTING 4 NC								
				42	2 SLOW ACTING 2 NC - 1 NO BBM								
				44	2 SLOW ACTING 2 NC - 2 NO BBM								
				46	2 SLOW ACTING 3 NC - 1 NO BBM								

NOTES

- 1 - ZINC DIECAST BODY AND HEAD WITH STEEL COVER. BODY, HEAD AND COVER FINISHED WITH EPOXY PAINT
- 2 - HEAD E AND K IS SHIPPED UNATTACHED AND MAY BE INDEXED IN 90° INCREMENTS. REATTACH WITH SECURITY SCREWS PROVIDED
- 3 - THE LEFT INDICATOR IS GREEN AND THE RIGHT INDICATOR IS RED. NOT PRESENT ON BODY/INDICATOR CODES F OR G
- 4 - MAXIMUM OPERATING FREQUENCY (F_{max}) = 100 OPS/MIN
- 5 - INSERTION FORCE = 20 N MAX
5 LB
EXTRACTION FORCE = 2 N MAX
.5 LB
- HEADS F, G, H, J AND K
INSERTION FORCE = 55 N MAX
12 LB
EXTRACTION FORCE = 35 N MAX
8 LB
- MAXIMUM SOLENOID LOCKING FORCE = 1000 N
224 LB
- 6 - ROTATE 1/4 TURN CLOCKWISE TO UNLOCK DEVICES WITH HEAD TO LEFT, SOLENOID UNLOCK AND DEVICES WITH HEAD TO RIGHT, SOLENOID LOCK. ROTATE 1/4 TURN COUNTERCLOCKWISE TO UNLOCK DEVICES WITH HEAD TO LEFT, SOLENOID LOCK AND DEVICES WITH HEAD TO RIGHT, SOLENOID UNLOCK. NOT PRESENT ON TYPE/OVER-RIDE CODES B OR T
- 7 - SWITCH MUST OPERATE BEFORE REACHING MINIMUM INSERTION DISTANCE
- 8 - T-15 TORX DRIVER PROVIDED
- 9 - ELECTRICAL RATINGS ARE FOR BASIC SWITCHES
- 10 - MINIMUM SOLENOID VOLTAGE = 80% OF NORMAL VOLTAGE
MAXIMUM SOLENOID VOLTAGE = 110% OF NORMAL VOLTAGE
SOLENOID POWER = 12 WATTS NOMINAL
- 11 - CONNECTOR IN BOTTOM CONDUIT OPENING. SIDE CONDUIT OPENING PLUGGED
- 12 - NO CHANGES CAN BE MADE TO THIS DRAWING WITHOUT JOINT FREEPORT / NEWHOUSE APPROVAL
- 13 - ALL DIMENSIONS ON THIS DRAWING SERIES ARE FOR REFERENCE ONLY

ELECTRICAL RATING				ENVIRONMENTAL RATINGS		APPROVALS
AC	DC			IP68 NEMA 1, 4, 6P, 12 & 13		 IEC 947-5-1 EN60947-5-1
A300	AC 15	Q300	DC 13	TEMP RANGE	-25°C to 40°C	
Ue	Ie	Ue	Ie	STORAGE	-13°F to 104°F	
(VOLTS)	(AMPS)	(VOLTS)	(AMPS)	SHOCK: 50G PER IEC 68-2-27	-40°C to 120°C	
120	6	24	2.9	VIBRATION: 10G PER IEC 68-2-6	-40°F to 248°F	
240	3	125	.55			
		250	.27			

THIS DRAWING COVERS A PROPRIETARY ITEM AND IS THE PROPERTY OF MICRO SWITCH, A DIVISION OF HONEYWELL. THIS DRAWING IS NOT TO BE COPIED OR USED WITHOUT THE APPROVAL OF MICRO SWITCH.

FED. MFG. CODE 91929 CATALOG LISTING

MICRO SWITCH
a Honeywell Division

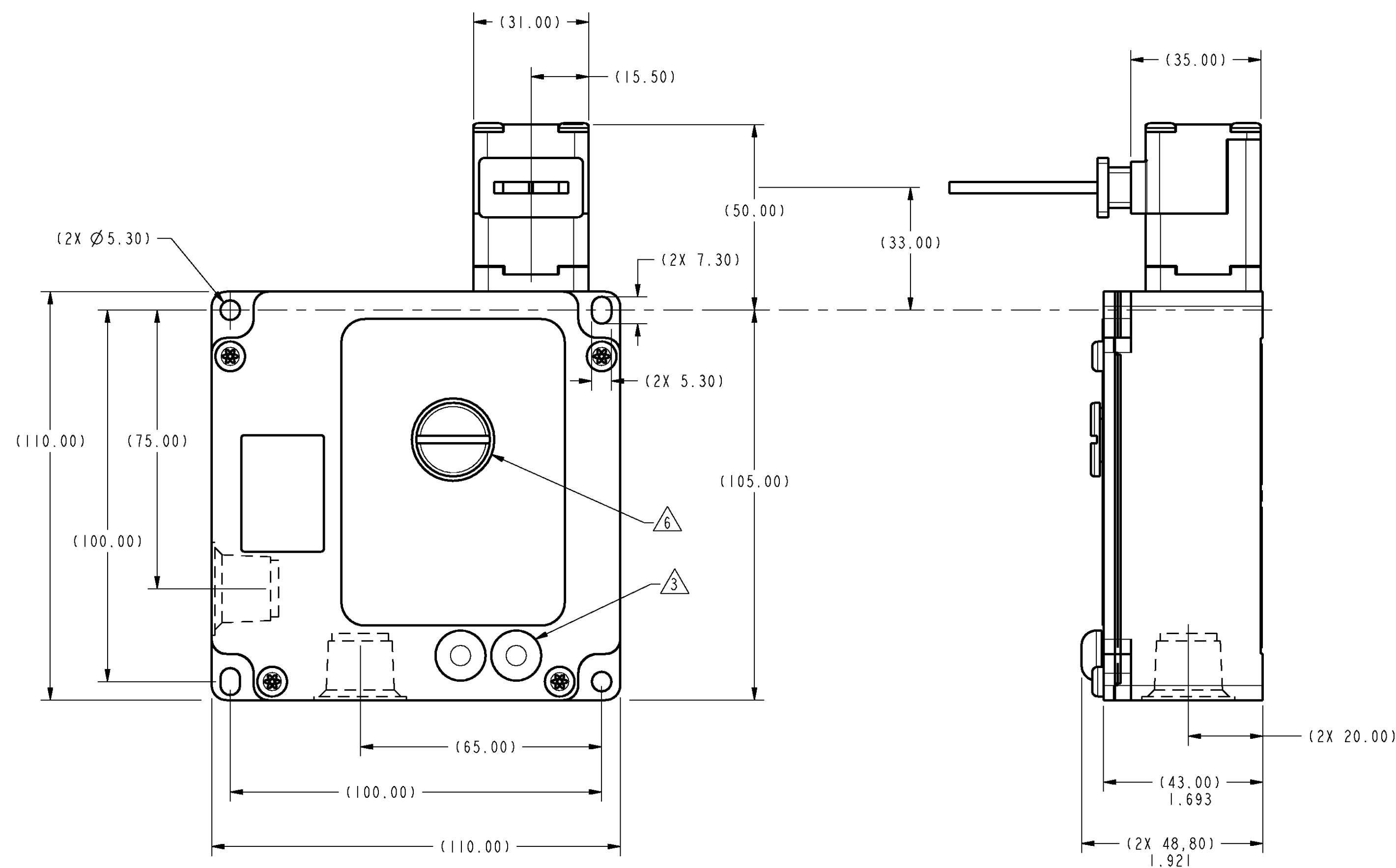
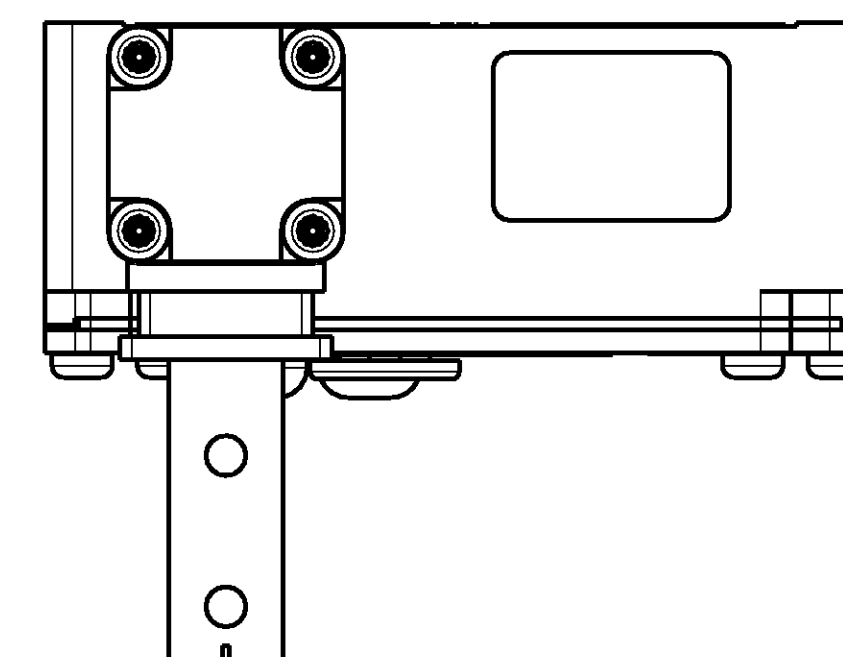
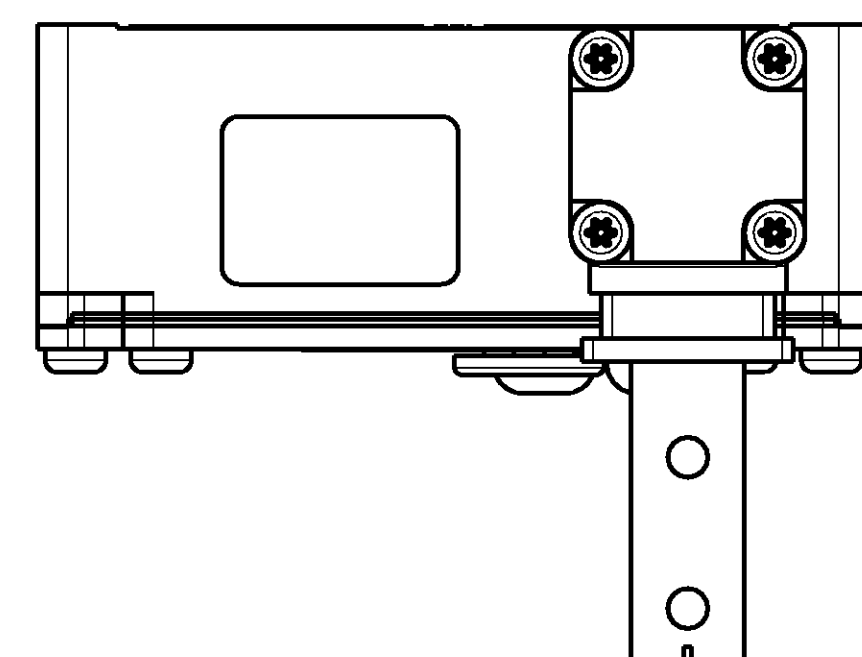
SWITCH - DOOR INTERLOCK

GK SERIES CHART 2

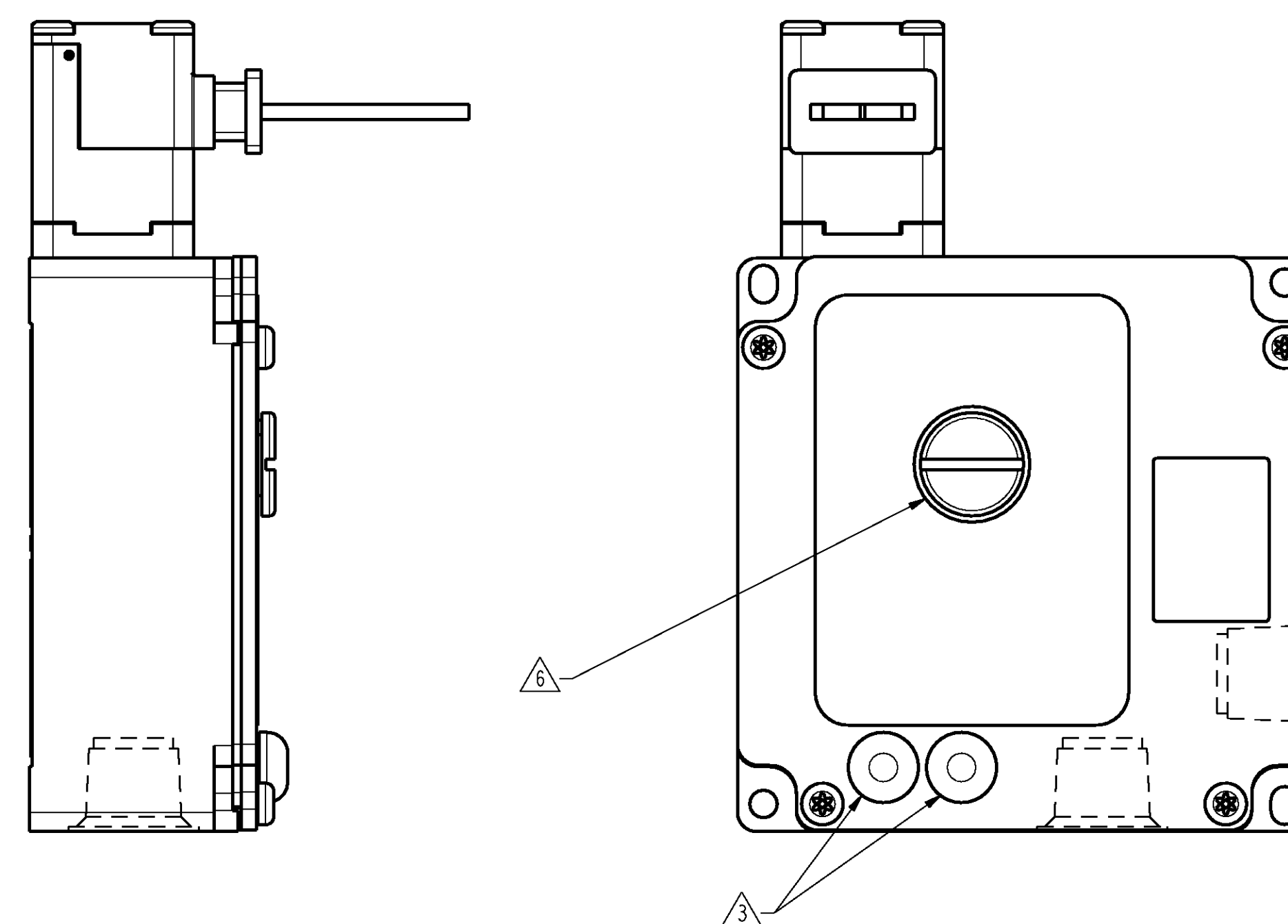
DESIGN UNITS: SI METRIC US CUSTOMARY

WEIGHT 2.3 kg / 5 LB MAX

DRAWING NUMBER: GK SERIES CHART 2
 PAGE: 1 OF 14
 RELEASE NO. PR-23012
 ISSUE: 9
 CHECK: JAF 20 OCT 98
 REVISIONS:
 A 03702
 B 1 SEP 98
 C 041
 D 24 MAR 93
 E 01714
 F 08 APR 99
 G 05353
 H 23 APR 98
 I 03085
 J 20 SEP 98
 K 09371
 L 27 FEB 00
 M 205338
 N 05 MAR 00
 O 264085
 P 01 FEB 01
 Q 01



BODY / INDICATOR CODES R OR G



BODY / INDICATOR CODES L OR F

M GK SERIES CHART 2
 DRAWING NUMBER 2 OF 14
 RELEASE NO. PR-233745
 REPLACES
 ISSUE 9
 REVISIONS
 A 11 CO 83702
 B 14 SEP 88
 C 14 OCT 88
 D 24 MAR 93
 E 14 OCT 93
 F 8 APR 99
 G 14 OCT 99
 H 24 SEP 00
 I 24 SEP 00
 J 24 SEP 00
 K 24 SEP 00
 L 24 SEP 00
 M 24 SEP 00
 N 24 SEP 00
 O 24 SEP 00
 P 24 SEP 00
 Q 24 SEP 00
 R 24 SEP 00
 S 24 SEP 00
 T 24 SEP 00
 U 24 SEP 00
 V 24 SEP 00
 W 24 SEP 00
 X 24 SEP 00
 Y 24 SEP 00
 Z 24 SEP 00
 AA 24 SEP 00
 AB 24 SEP 00
 AC 24 SEP 00
 AD 24 SEP 00
 AE 24 SEP 00
 AF 24 SEP 00
 AG 24 SEP 00
 AH 24 SEP 00
 AI 24 SEP 00
 AJ 24 SEP 00
 AK 24 SEP 00
 AL 24 SEP 00
 AM 24 SEP 00
 AN 24 SEP 00
 AO 24 SEP 00
 AP 24 SEP 00
 AQ 24 SEP 00
 AR 24 SEP 00
 AS 24 SEP 00
 AT 24 SEP 00
 AU 24 SEP 00
 AV 24 SEP 00
 AW 24 SEP 00
 AX 24 SEP 00
 AY 24 SEP 00
 AZ 24 SEP 00
 BA 24 SEP 00
 BB 24 SEP 00
 BC 24 SEP 00
 BD 24 SEP 00
 BE 24 SEP 00
 BF 24 SEP 00
 BG 24 SEP 00
 BH 24 SEP 00
 BI 24 SEP 00
 BJ 24 SEP 00
 BK 24 SEP 00
 BL 24 SEP 00
 BM 24 SEP 00
 BN 24 SEP 00
 BO 24 SEP 00
 BP 24 SEP 00
 BQ 24 SEP 00
 BR 24 SEP 00
 BS 24 SEP 00
 BT 24 SEP 00
 BU 24 SEP 00
 BV 24 SEP 00
 BV 24 SEP 00
 BW 24 SEP 00
 BX 24 SEP 00
 BY 24 SEP 00
 BZ 24 SEP 00
 CA 24 SEP 00
 CB 24 SEP 00
 CC 24 SEP 00
 CD 24 SEP 00
 CE 24 SEP 00
 CF 24 SEP 00
 CG 24 SEP 00
 CH 24 SEP 00
 CI 24 SEP 00
 CJ 24 SEP 00
 CK 24 SEP 00
 CL 24 SEP 00
 CM 24 SEP 00
 CN 24 SEP 00
 CO 24 SEP 00
 CP 24 SEP 00
 CQ 24 SEP 00
 CR 24 SEP 00
 CS 24 SEP 00
 CT 24 SEP 00
 CU 24 SEP 00
 CV 24 SEP 00
 CV 24 SEP 00
 CW 24 SEP 00
 CX 24 SEP 00
 CY 24 SEP 00
 CZ 24 SEP 00
 DA 24 SEP 00
 DB 24 SEP 00
 DC 24 SEP 00
 DD 24 SEP 00
 DE 24 SEP 00
 DF 24 SEP 00
 DG 24 SEP 00
 DH 24 SEP 00
 DI 24 SEP 00
 DJ 24 SEP 00
 DK 24 SEP 00
 DL 24 SEP 00
 DM 24 SEP 00
 DN 24 SEP 00
 DO 24 SEP 00
 DP 24 SEP 00
 DQ 24 SEP 00
 DR 24 SEP 00
 DS 24 SEP 00
 DT 24 SEP 00
 DU 24 SEP 00
 DV 24 SEP 00
 DV 24 SEP 00
 DW 24 SEP 00
 DX 24 SEP 00
 DY 24 SEP 00
 DZ 24 SEP 00
 EA 24 SEP 00
 EB 24 SEP 00
 EC 24 SEP 00
 ED 24 SEP 00
 EE 24 SEP 00
 EF 24 SEP 00
 EG 24 SEP 00
 EH 24 SEP 00
 EI 24 SEP 00
 EJ 24 SEP 00
 EK 24 SEP 00
 EL 24 SEP 00
 EM 24 SEP 00
 EN 24 SEP 00
 EO 24 SEP 00
 EP 24 SEP 00
 EQ 24 SEP 00
 ER 24 SEP 00
 ES 24 SEP 00
 ET 24 SEP 00
 EU 24 SEP 00
 EV 24 SEP 00
 EV 24 SEP 00
 EW 24 SEP 00
 EX 24 SEP 00
 EY 24 SEP 00
 EZ 24 SEP 00
 FA 24 SEP 00
 FB 24 SEP 00
 FC 24 SEP 00
 FD 24 SEP 00
 FE 24 SEP 00
 FF 24 SEP 00
 FG 24 SEP 00
 FH 24 SEP 00
 FI 24 SEP 00
 FJ 24 SEP 00
 FK 24 SEP 00
 FL 24 SEP 00
 FM 24 SEP 00
 FN 24 SEP 00
 FO 24 SEP 00
 FP 24 SEP 00
 FQ 24 SEP 00
 FR 24 SEP 00
 FS 24 SEP 00
 FT 24 SEP 00
 FU 24 SEP 00
 FV 24 SEP 00
 FV 24 SEP 00
 FW 24 SEP 00
 FX 24 SEP 00
 FY 24 SEP 00
 FZ 24 SEP 00
 GA 24 SEP 00
 GB 24 SEP 00
 GC 24 SEP 00
 GD 24 SEP 00
 GE 24 SEP 00
 GF 24 SEP 00
 GG 24 SEP 00
 GH 24 SEP 00
 GI 24 SEP 00
 GJ 24 SEP 00
 GK 24 SEP 00
 GL 24 SEP 00
 GM 24 SEP 00
 GN 24 SEP 00
 GO 24 SEP 00
 GP 24 SEP 00
 GQ 24 SEP 00
 GR 24 SEP 00
 GS 24 SEP 00
 GT 24 SEP 00
 GU 24 SEP 00
 GV 24 SEP 00
 GV 24 SEP 00
 GW 24 SEP 00
 GX 24 SEP 00
 GY 24 SEP 00
 GZ 24 SEP 00
 HA 24 SEP 00
 HB 24 SEP 00
 HC 24 SEP 00
 HD 24 SEP 00
 HE 24 SEP 00
 HF 24 SEP 00
 HG 24 SEP 00
 HH 24 SEP 00
 HI 24 SEP 00
 HJ 24 SEP 00
 HK 24 SEP 00
 HL 24 SEP 00
 HM 24 SEP 00
 HN 24 SEP 00
 HO 24 SEP 00
 HP 24 SEP 00
 HQ 24 SEP 00
 HR 24 SEP 00
 HS 24 SEP 00
 HT 24 SEP 00
 HU 24 SEP 00
 HV 24 SEP 00
 HV 24 SEP 00
 HW 24 SEP 00
 HX 24 SEP 00
 HY 24 SEP 00
 HZ 24 SEP 00
 IA 24 SEP 00
 IB 24 SEP 00
 IC 24 SEP 00
 ID 24 SEP 00
 IE 24 SEP 00
 IF 24 SEP 00
 IG 24 SEP 00
 IH 24 SEP 00
 II 24 SEP 00
 IJ 24 SEP 00
 IK 24 SEP 00
 IL 24 SEP 00
 IM 24 SEP 00
 IN 24 SEP 00
 IO 24 SEP 00
 IP 24 SEP 00
 IQ 24 SEP 00
 IR 24 SEP 00
 IS 24 SEP 00
 IT 24 SEP 00
 IU 24 SEP 00
 IV 24 SEP 00
 IV 24 SEP 00
 IW 24 SEP 00
 IX 24 SEP 00
 IY 24 SEP 00
 IZ 24 SEP 00
 JA 24 SEP 00
 JB 24 SEP 00
 JC 24 SEP 00
 JD 24 SEP 00
 JE 24 SEP 00
 JF 24 SEP 00
 JG 24 SEP 00
 JH 24 SEP 00
 JI 24 SEP 00
 JJ 24 SEP 00
 JK 24 SEP 00
 JL 24 SEP 00
 JM 24 SEP 00
 JN 24 SEP 00
 JO 24 SEP 00
 JP 24 SEP 00
 JQ 24 SEP 00
 JR 24 SEP 00
 JS 24 SEP 00
 JT 24 SEP 00
 JU 24 SEP 00
 JV 24 SEP 00
 JV 24 SEP 00
 JW 24 SEP 00
 JX 24 SEP 00
 JY 24 SEP 00
 JZ 24 SEP 00
 KA 24 SEP 00
 KB 24 SEP 00
 KC 24 SEP 00
 KD 24 SEP 00
 KE 24 SEP 00
 KF 24 SEP 00
 KG 24 SEP 00
 KH 24 SEP 00
 KI 24 SEP 00
 KJ 24 SEP 00
 KK 24 SEP 00
 KL 24 SEP 00
 KM 24 SEP 00
 KN 24 SEP 00
 KO 24 SEP 00
 KP 24 SEP 00
 KQ 24 SEP 00
 KR 24 SEP 00
 KS 24 SEP 00
 KT 24 SEP 00
 KU 24 SEP 00
 KV 24 SEP 00
 KV 24 SEP 00
 KW 24 SEP 00
 KX 24 SEP 00
 KY 24 SEP 00
 KZ 24 SEP 00
 LA 24 SEP 00
 LB 24 SEP 00
 LC 24 SEP 00
 LD 24 SEP 00
 LE 24 SEP 00
 LF 24 SEP 00
 LG 24 SEP 00
 LH 24 SEP 00
 LI 24 SEP 00
 LJ 24 SEP 00
 LK 24 SEP 00
 LL 24 SEP 00
 LM 24 SEP 00
 LN 24 SEP 00
 LO 24 SEP 00
 LP 24 SEP 00
 LQ 24 SEP 00
 LR 24 SEP 00
 LS 24 SEP 00
 LT 24 SEP 00
 LU 24 SEP 00
 LV 24 SEP 00
 LV 24 SEP 00
 LW 24 SEP 00
 LX 24 SEP 00
 LY 24 SEP 00
 LZ 24 SEP 00
 MA 24 SEP 00
 MB 24 SEP 00
 MC 24 SEP 00
 MD 24 SEP 00
 ME 24 SEP 00
 MF 24 SEP 00
 MG 24 SEP 00
 MH 24 SEP 00
 MI 24 SEP 00
 MJ 24 SEP 00
 MK 24 SEP 00
 ML 24 SEP 00
 MM 24 SEP 00
 MN 24 SEP 00
 MO 24 SEP 00
 MP 24 SEP 00
 MQ 24 SEP 00
 MR 24 SEP 00
 MS 24 SEP 00
 MT 24 SEP 00
 MU 24 SEP 00
 MV 24 SEP 00
 MV 24 SEP 00
 MW 24 SEP 00
 MX 24 SEP 00
 MY 24 SEP 00
 MZ 24 SEP 00
 NA 24 SEP 00
 NB 24 SEP 00
 NC 24 SEP 00
 ND 24 SEP 00
 NE 24 SEP 00
 NF 24 SEP 00
 NG 24 SEP 00
 NH 24 SEP 00
 NI 24 SEP 00
 NJ 24 SEP 00
 NK 24 SEP 00
 NL 24 SEP 00
 NM 24 SEP 00
 NN 24 SEP 00
 NO 24 SEP 00
 NP 24 SEP 00
 NQ 24 SEP 00
 NR 24 SEP 00
 NS 24 SEP 00
 NT 24 SEP 00
 NU 24 SEP 00
 NV 24 SEP 00
 NV 24 SEP 00
 NW 24 SEP 00
 NX 24 SEP 00
 NY 24 SEP 00
 NZ 24 SEP 00
 OA 24 SEP 00
 OB 24 SEP 00
 OC 24 SEP 00
 OD 24 SEP 00
 OE 24 SEP 00
 OF 24 SEP 00
 OG 24 SEP 00
 OH 24 SEP 00
 OI 24 SEP 00
 OJ 24 SEP 00
 OK 24 SEP 00
 OL 24 SEP 00
 OM 24 SEP 00
 ON 24 SEP 00
 OO 24 SEP 00
 OP 24 SEP 00
 OQ 24 SEP 00
 OR 24 SEP 00
 OS 24 SEP 00
 OT 24 SEP 00
 OU 24 SEP 00
 OV 24 SEP 00
 OV 24 SEP 00
 OW 24 SEP 00
 OX 24 SEP 00
 OY 24 SEP 00
 OZ 24 SEP 00
 PA 24 SEP 00
 PB 24 SEP 00
 PC 24 SEP 00
 PD 24 SEP 00
 PE 24 SEP 00
 PF 24 SEP 00
 PG 24 SEP 00
 PH 24 SEP 00
 PI 24 SEP 00
 PJ 24 SEP 00
 PK 24 SEP 00
 PL 24 SEP 00
 PM 24 SEP 00
 PN 24 SEP 00
 PO 24 SEP 00
 PP 24 SEP 00
 PQ 24 SEP 00
 PR 24 SEP 00
 PS 24 SEP 00
 PT 24 SEP 00
 PU 24 SEP 00
 PV 24 SEP 00
 PV 24 SEP 00
 PW 24 SEP 00
 PX 24 SEP 00
 PY 24 SEP 00
 PZ 24 SEP 00
 QA 24 SEP 00
 QB 24 SEP 00
 QC 24 SEP 00
 QD 24 SEP 00
 QE 24 SEP 00
 QF 24 SEP 00
 QG 24 SEP 00
 QH 24 SEP 00
 QI 24 SEP 00
 QJ 24 SEP 00
 QK 24 SEP 00
 QL 24 SEP 00
 QM 24 SEP 00
 QN 24 SEP 00
 QO 24 SEP 00
 QP 24 SEP 00
 QQ 24 SEP 00
 QR 24 SEP 00
 QS 24 SEP 00
 QT 24 SEP 00
 QU 24 SEP 00
 QV 24 SEP 00
 QV 24 SEP 00
 QW 24 SEP 00
 QX 24 SEP 00
 QY 24 SEP 00
 QZ 24 SEP 00
 RA 24 SEP 00
 RB 24 SEP 00
 RC 24 SEP 00
 RD 24 SEP 00
 RE 24 SEP 00
 RF 24 SEP 00
 RG 24 SEP 00
 RH 24 SEP 00
 RI 24 SEP 00
 RJ 24 SEP 00
 RK 24 SEP 00
 RL 24 SEP 00
 RM 24 SEP 00
 RN 24 SEP 00
 RO 24 SEP 00
 RP 24 SEP 00
 RQ 24 SEP 00
 RR 24 SEP 00
 RS 24 SEP 00
 RT 24 SEP 00
 RU 24 SEP 00
 RV 24 SEP 00
 RV 24 SEP 00
 RW 24 SEP 00
 RX 24 SEP 00
 RY 24 SEP 00
 RZ 24 SEP 00
 SA 24 SEP 00
 SB 24 SEP 00
 SC 24 SEP 00
 SD 24 SEP 00
 SE 24 SEP 00
 SF 24 SEP 00
 SG 24 SEP 00
 SH 24 SEP 00
 SI 24 SEP 00
 SJ 24 SEP 00
 SK 24 SEP 00
 SL 24 SEP 00
 SM 24 SEP 00
 SN 24 SEP 00
 SO 24 SEP 00
 SP 24 SEP 00
 SQ 24 SEP 00
 SR 24 SEP 00
 SS 24 SEP 00
 ST 24 SEP 00
 SU 24 SEP 00
 SV 24 SEP 00
 SV 24 SEP 00
 SW 24 SEP 00
 SX 24 SEP 00
 SY 24 SEP 00
 SZ 24 SEP 00
 TA 24 SEP 00
 TB 24 SEP 00
 TC 24 SEP 00
 TD 24 SEP 00
 TE 24 SEP 00
 TF 24 SEP 00
 TG 24 SEP 00
 TH 24 SEP 00
 TI 24 SEP 00
 TJ 24 SEP 00
 TK 24 SEP 00
 TL 24 SEP 00
 TM 24 SEP 00
 TN 24 SEP 00
 TO 24 SEP 00
 TP 24 SEP 00
 TQ 24 SEP 00
 TR 24 SEP 00
 TS 24 SEP 00
 TT 24 SEP 00
 TU 24 SEP 00
 TV 24 SEP 00
 TV 24 SEP 00
 TW 24 SEP 00
 TX 24 SEP 00
 TY 24 SEP 00
 TZ 24 SEP 00
 UA 24 SEP 00
 UB 24 SEP 00
 UC 24 SEP 00
 UD 24 SEP 00
 UE 24 SEP 00
 UF 24 SEP 00
 UG 24 SEP 00
 UH 24 SEP 00
 UI 24 SEP 00
 UJ 24 SEP 00
 UK 24 SEP 00
 UL 24 SEP 00
 UM 24 SEP 00
 UN 24 SEP 00
 UO 24 SEP 00
 UP 24 SEP 00
 UQ 24 SEP 00
 UR 24 SEP 00
 US 24 SEP 00
 UT 24 SEP 00
 UU 24 SEP 00
 UV 24 SEP 00
 UV 24 SEP 00
 UW 24 SEP 00
 UX 24 SEP 00
 UY 24 SEP 00
 UZ 24 SEP 00
 VA 24 SEP 00
 VB 24 SEP 00
 VC 24 SEP 00
 VD 24 SEP 00
 VE 24 SEP 00
 VF 24 SEP 00
 VG 24 SEP 00
 VH 24 SEP 00
 VI 24 SEP 00
 VJ 24 SEP 00
 VK 24 SEP 00
 VL 24 SEP 00
 VM 24 SEP 00
 VN 24 SEP 00
 VO 24 SEP 00
 VP 24 SEP 00
 VQ 24 SEP 00
 VR 24 SEP 00
 VS 24 SEP 00
 VT 24 SEP 00
 VU 24 SEP 00
 VV 24 SEP 00
 VV 24 SEP 00
 VW 24 SEP 00
 VX 24 SEP 00
 VY 24 SEP 00
 VZ 24 SEP 00
 WA 24 SEP 00
 WB 24 SEP 00
 WC 24 SEP 00
 WD 24 SEP 00
 WE 24 SEP 00
 WF 24 SEP 00
 WG 24 SEP 00
 WH 24 SEP 00
 WI 24 SEP 00
 WJ 24 SEP 00
 WK 24 SEP 00
 WL 24 SEP 00
 WM 24 SEP 00
 WN 24 SEP 00
 WO 24 SEP 00
 WP 24 SEP 00
 WQ 24 SEP 00
 WR 24 SEP 00
 WS 24 SEP 00
 WT 24 SEP 00
 WU 24 SEP 00
 WV 24 SEP 00
 WV 24 SEP 00
 WW 24 SEP 00
 WX 24 SEP 00
 WY 24 SEP 00
 WZ 24 SEP 00
 XA 24 SEP 00
 XB 24 SEP 00
 XC 24 SEP 00
 XD 24 SEP 00
 XE 24 SEP 00
 XF 24 SEP 00
 XG 24 SEP 00
 XH 24 SEP 00
 XI 24 SEP 00
 XJ 24 SEP 00
 XK 24 SEP 00
 XL 24 SEP 00
 XM 24 SEP 00
 XN 24 SEP 00
 XO 24 SEP 00
 XP 24 SEP 00
 XQ 24 SEP 00
 XR 24 SEP 00
 XS 24 SEP 00
 XT 24 SEP 00
 XU 24 SEP 00
 XV 24 SEP 00
 XV 24 SEP 00
 XW 24 SEP 00
 XX 24 SEP 00
 XY 24 SEP 00
 XZ 24 SEP 00
 YA 24 SEP 00
 YB 24 SEP 00
 YC 24 SEP 00
 YD 24 SEP 00
 YE 24 SEP 00
 YF 24 SEP 00
 YG 24 SEP 00
 YH 24 SEP 00
 YI 24 SEP 00
 YJ 24 SEP 00
 YK 24 SEP 00
 YL 24 SEP 00
 YM 24 SEP 00
 YN 24 SEP 00
 YO 24 SEP 00
 YP 24 SEP 00
 YQ 24 SEP 00
 YR 24 SEP 00
 YS 24 SEP 00
 YT 24 SEP 00
 YU 24 SEP 00
 YV 24 SEP 00
 YV 24 SEP 00
 YW 24 SEP 00
 YX 24 SEP 00
 YY 24 SEP 00
 YZ 24 SEP 00
 ZA 24 SEP 00
 ZB 24 SEP 00
 ZC 24 SEP 00
 ZD 24 SEP 00
 ZE 24 SEP 00
 ZF 24 SEP 00
 ZG 24 SEP 00
 ZH 24 SEP 00
 ZI 24 SEP 00
 ZJ 24 SEP 00
 ZK 24 SEP 00
 ZL 24 SEP 00
 ZM 24 SEP 00
 ZN 24 SEP 00
 ZO 24 SEP 00
 ZP 24 SEP 00
 ZQ 24 SEP 00
 ZR 24 SEP 00
 ZS 24 SEP 00
 ZT 24 SEP 00
 ZU 24 SEP 00
 ZV 24 SEP 00
 ZV 24 SEP 00
 ZW 24 SEP 00
 ZX 24 SEP 00
 ZY 24 SEP 00
 ZZ 24 SEP 00

THIS DRAWING COVERS A PROPRIETARY ITEM AND IS THE PROPERTY OF MICRO SWITCH, A DIVISION OF HONEYWELL. THIS DRAWING IS NOT TO BE COPIED OR USED WITHOUT THE APPROVAL OF MICRO SWITCH.

FED. MFG. CODE 91929

MICRO SWITCH
a Honeywell Division

SWITCH - DOOR INTERLOCK

CATALOG LISTING

GK SERIES CHART 2

DESIGN UNITS SI METRIC US CUSTOMARY

WEIGHT 2,3 kg / 5 LB MAX

NO. PLACES	SI	US	SI	US
ONE PLACE	0.1	0.005	0.1	0.005
TWO PLACES	0.05	0.0025	0.05	0.0025
THREE PLACES	0.025	0.00125	0.025	0.00125
ANGLES	0.1	0.005	0.1	0.005

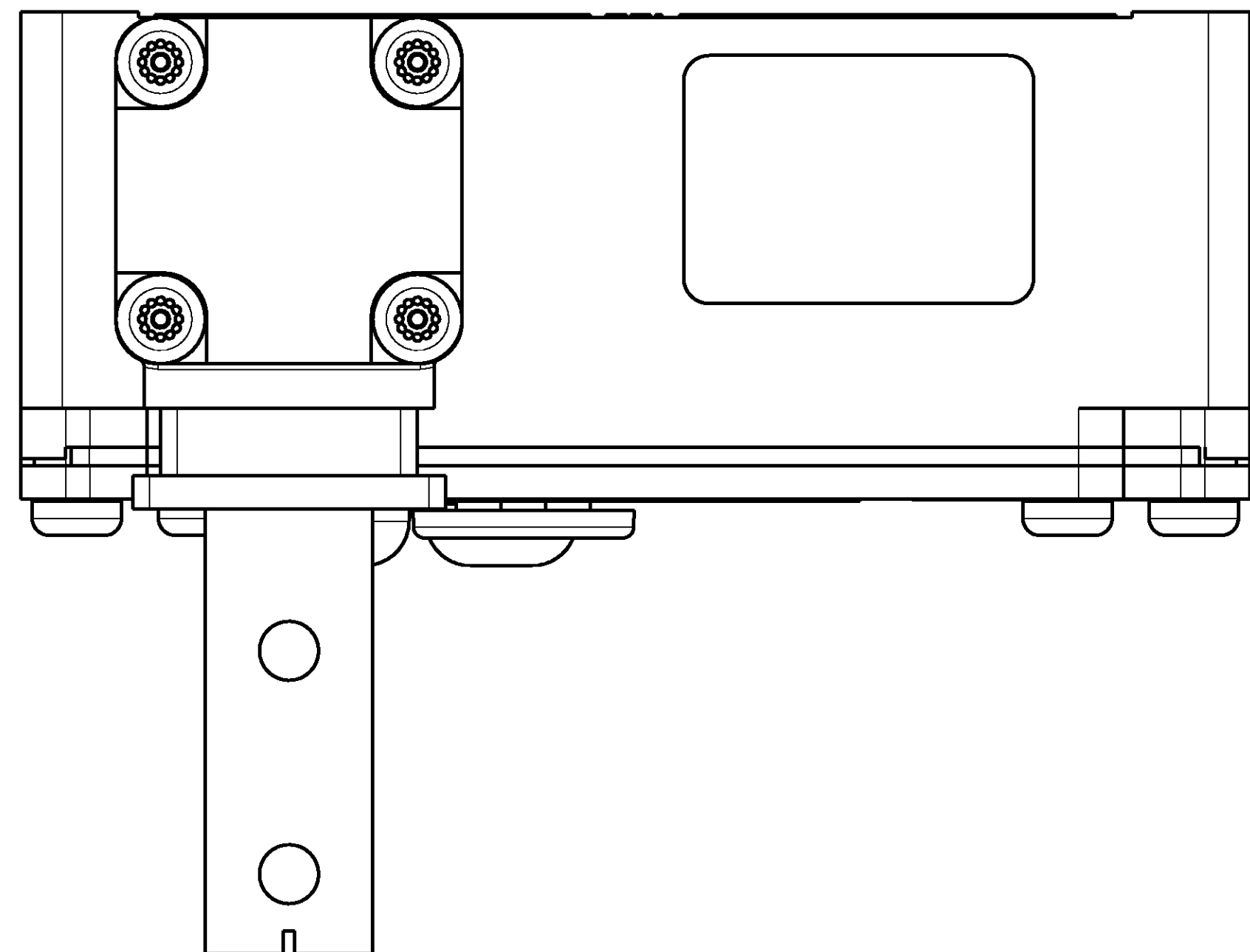
THIRD ANGLE PROJECTION

SCALE FULL

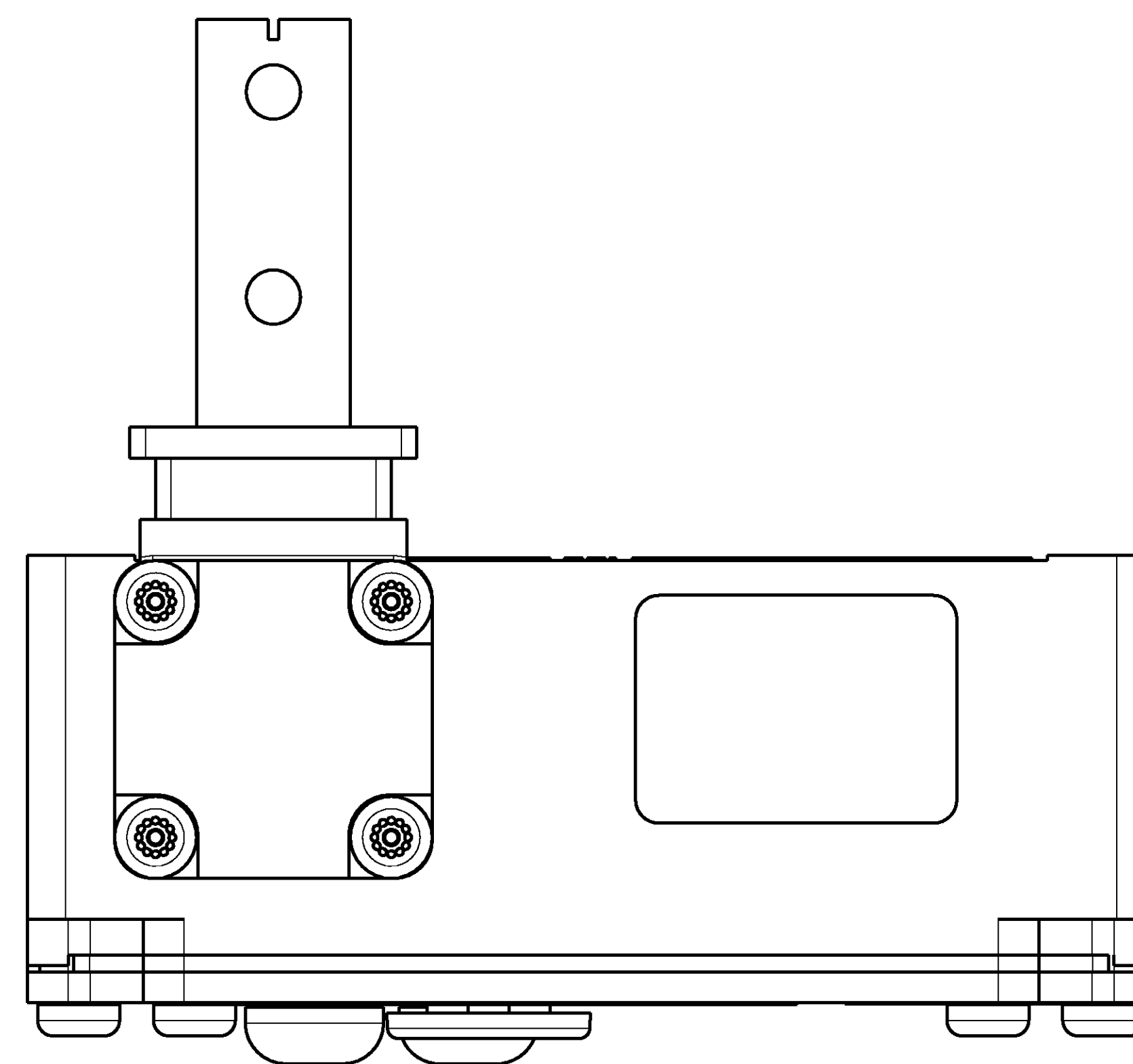
DO NOT SCALE PRINT

TOLERANCES

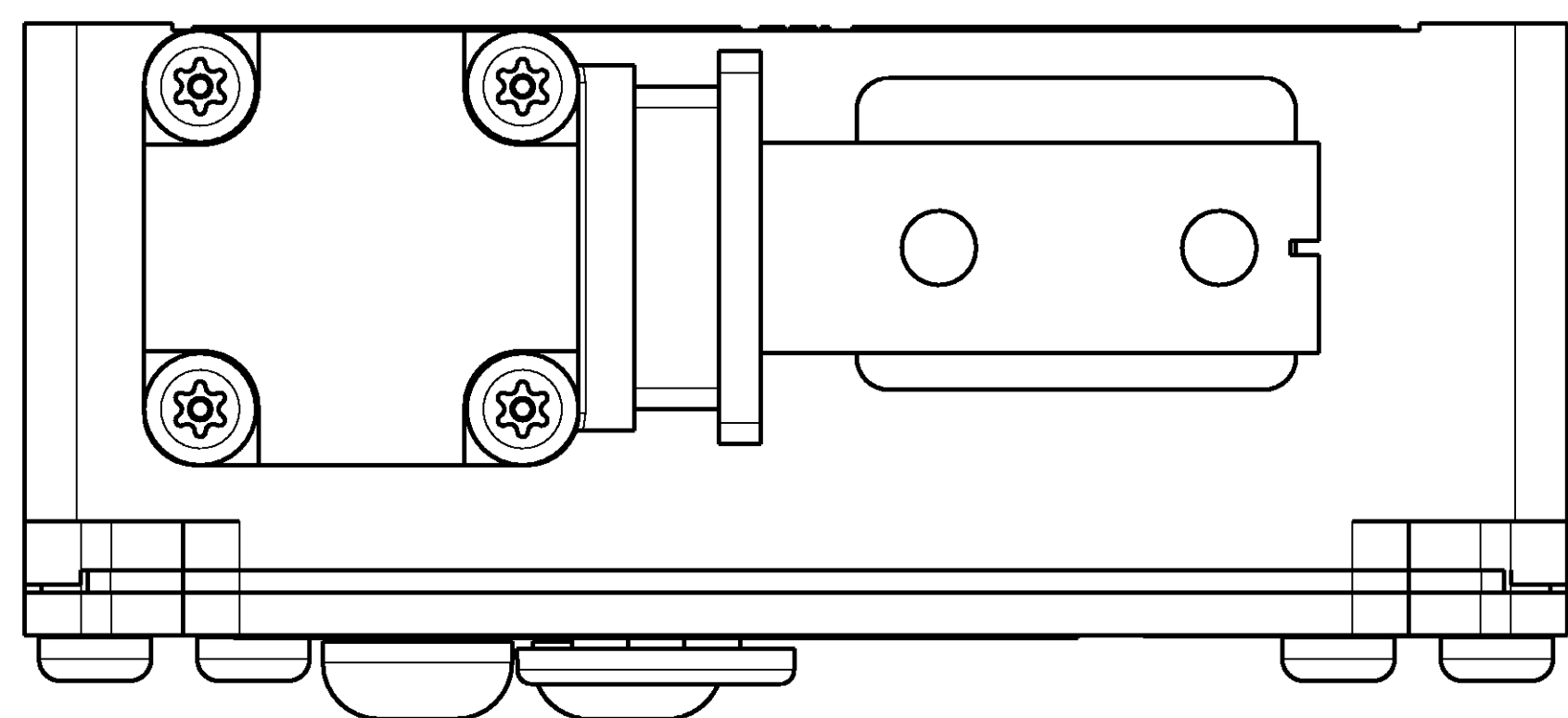
APPLY TO DESIGN UNITS. CONVERSIONS ARE ONLY FOR REFERENCE. UNLESS NOTED, TOLERANCES ARE:



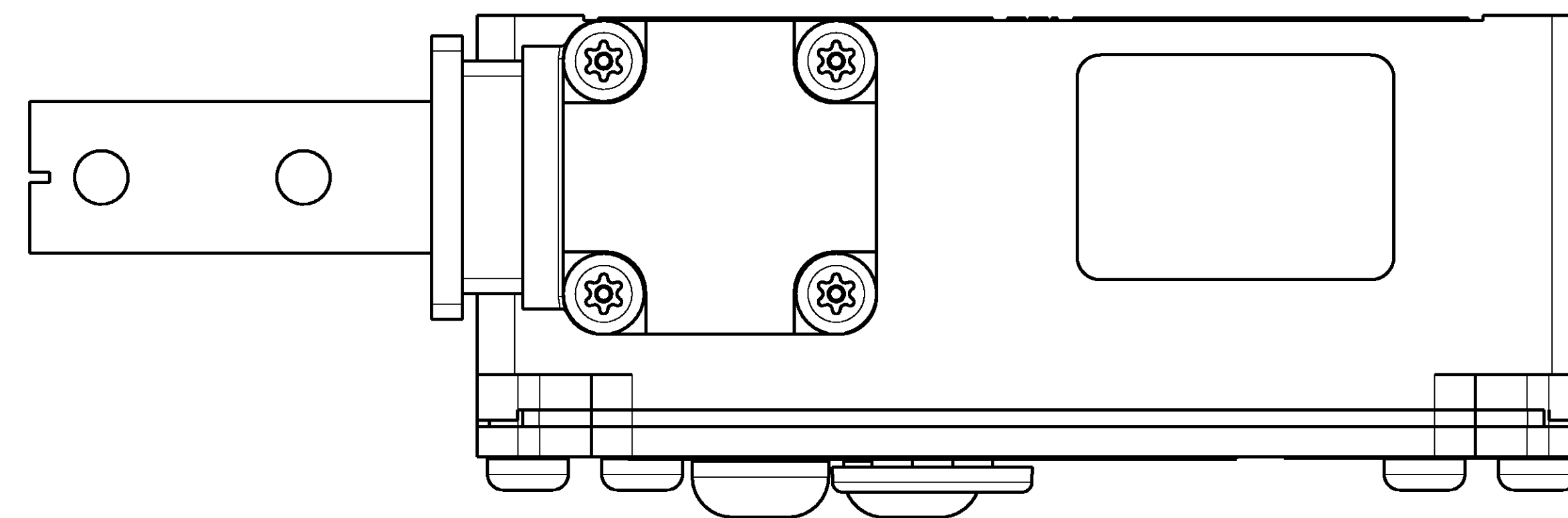
HEAD CODE A OR F



HEAD CODE C OR H



HEAD CODE B OR G



HEAD CODE D OR J

M GK SERIES CHART 2

DRAWING NUMBER: 9

ISSUE: 3 OF 14

RELEASE NO. PR-23345

REPLACES

PTC/CAD
DRAWN: SAV
CHECK: JAF
DATE: 20 OCT 98

REV	DATE	BY	CHKD	DESCRIPTION
A	14 SEP 98	CO	CO	REVISED
B	14 SEP 98	CO	CO	REVISED
C	14 SEP 98	CO	CO	REVISED
D	14 SEP 98	CO	CO	REVISED
E	14 SEP 98	CO	CO	REVISED
F	14 SEP 98	CO	CO	REVISED
G	14 SEP 98	CO	CO	REVISED
H	14 SEP 98	CO	CO	REVISED
I	14 SEP 98	CO	CO	REVISED
J	14 SEP 98	CO	CO	REVISED

THIS DRAWING COVERS A PROPRIETARY ITEM AND IS THE PROPERTY OF MICRO SWITCH, A DIVISION OF HONEYWELL. THIS DRAWING IS NOT TO BE COPIED OR USED WITHOUT THE APPROVAL OF MICRO SWITCH.

FED. MFG. CODE 91929

CATALOG LISTING

MICRO SWITCH
a Honeywell Division

SWITCH - DOOR INTERLOCK

GK SERIES CHART 2

DESIGN UNITS: SI METRIC US CUSTOMARY

WEIGHT 2,3 kg / 5 LB MAX

THIRD ANGLE PROJECTION

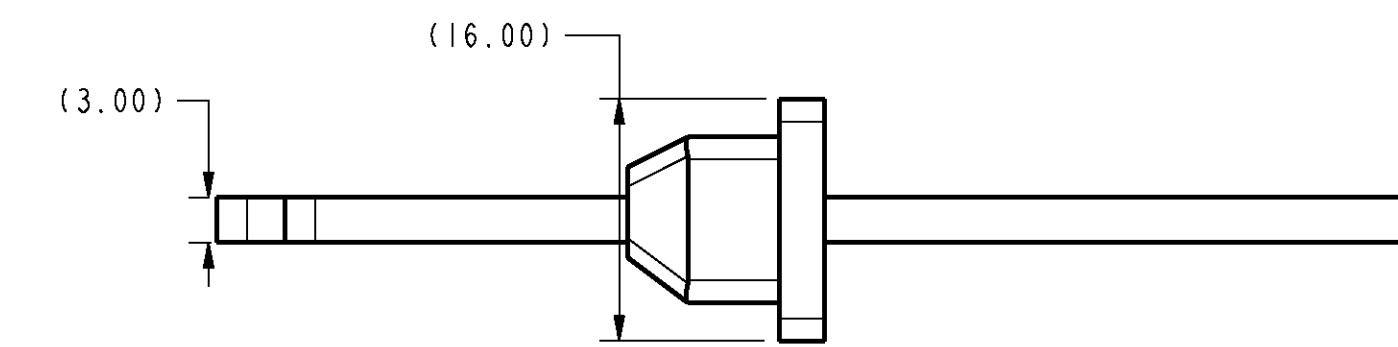
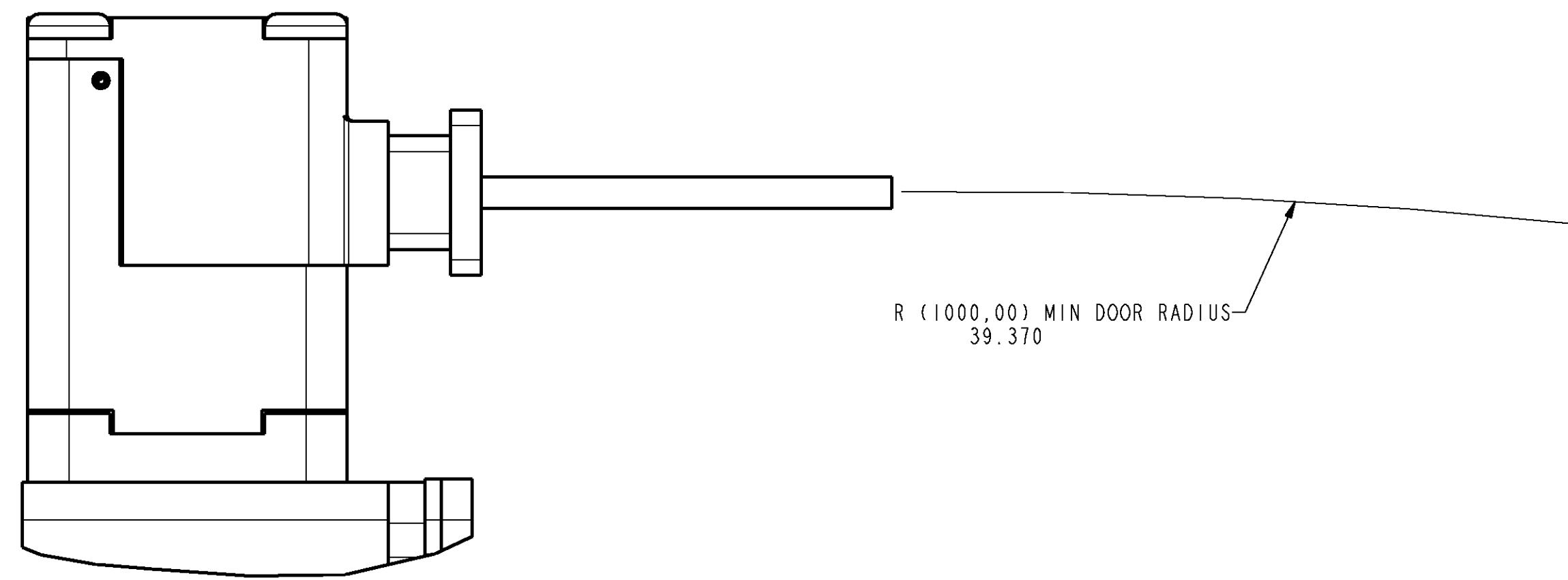
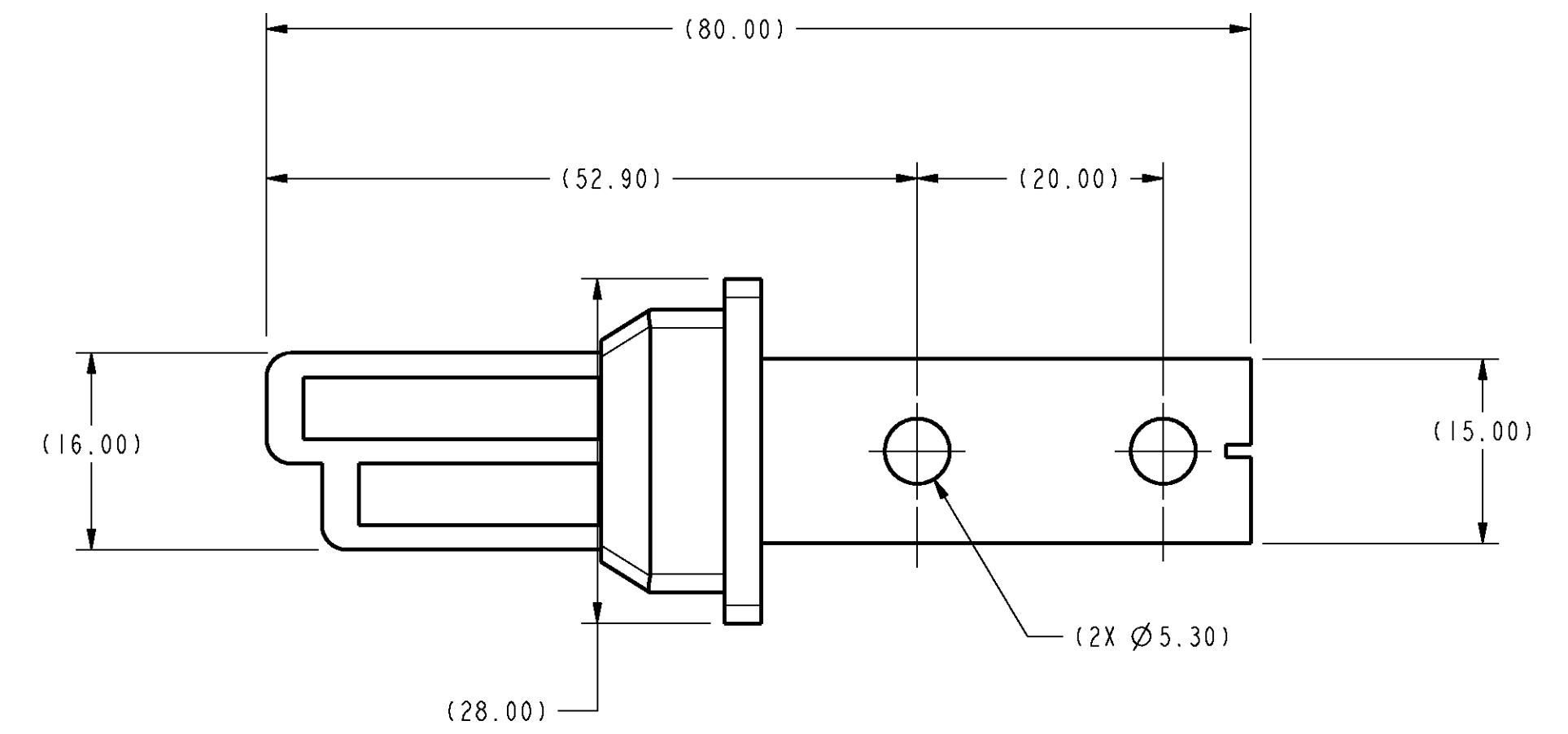
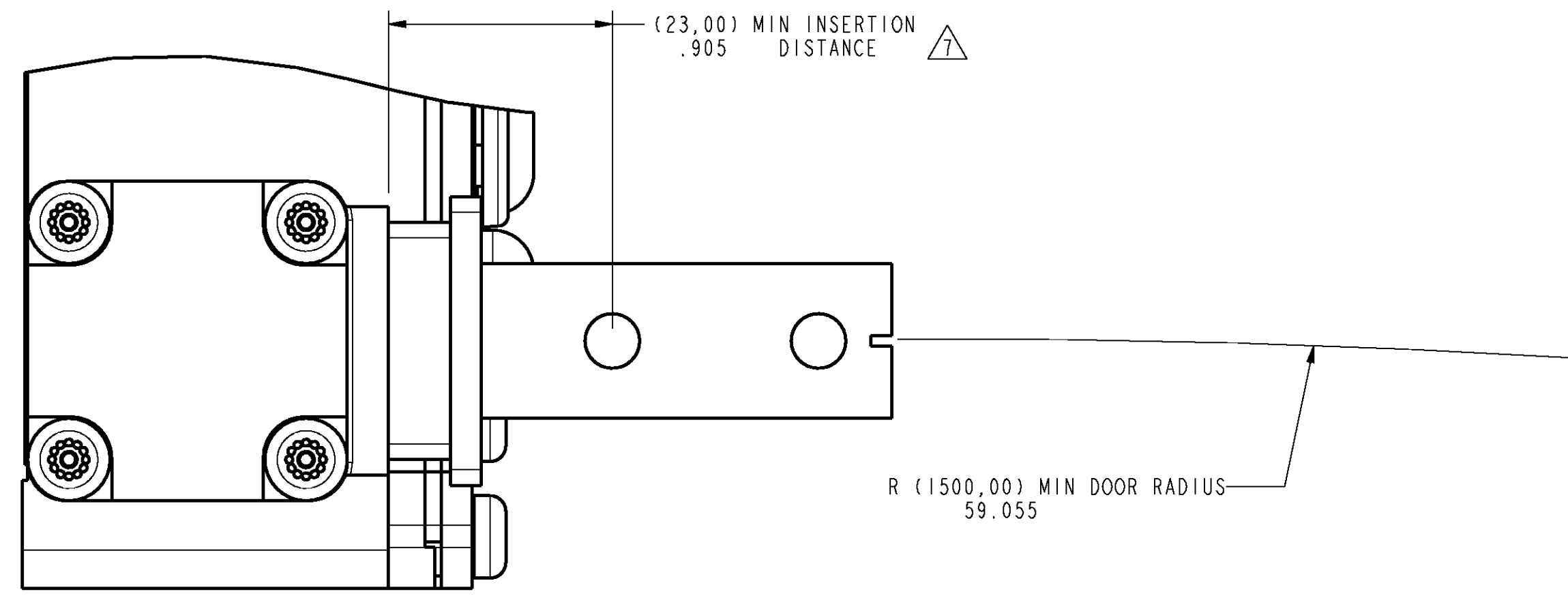
SCALE 2 : 1

DO NOT SCALE PRINT

TOLERANCES

APPLY TO DESIGN UNITS. CONVERSIONS ARE ONLY FOR REFERENCE, UNLESS NOTED. TOLERANCES ARE:

NO. PLACES	SI	US	NO. PLACES	SI	US
ONE	±0.1	±0.005	ONE	±0.1	±0.005
TWO	±0.05	±0.0025	TWO	±0.05	±0.0025
THREE	±0.025	±0.00125	THREE	±0.025	±0.00125
FOUR	±0.0125	±0.000625	FOUR	±0.0125	±0.000625



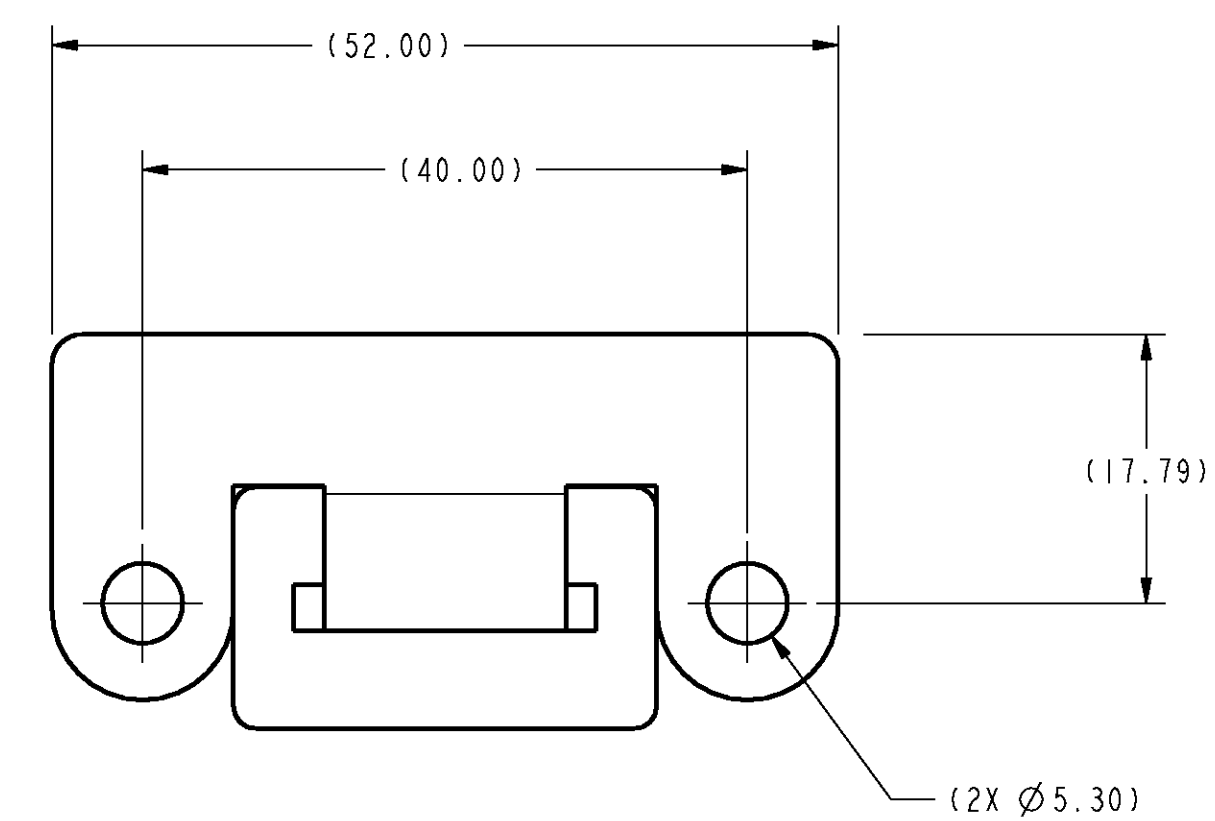
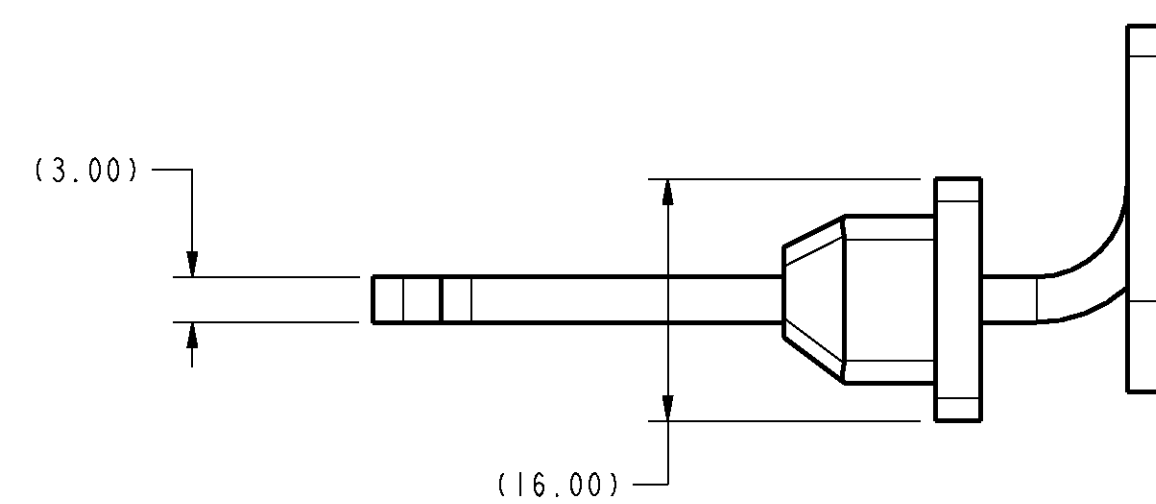
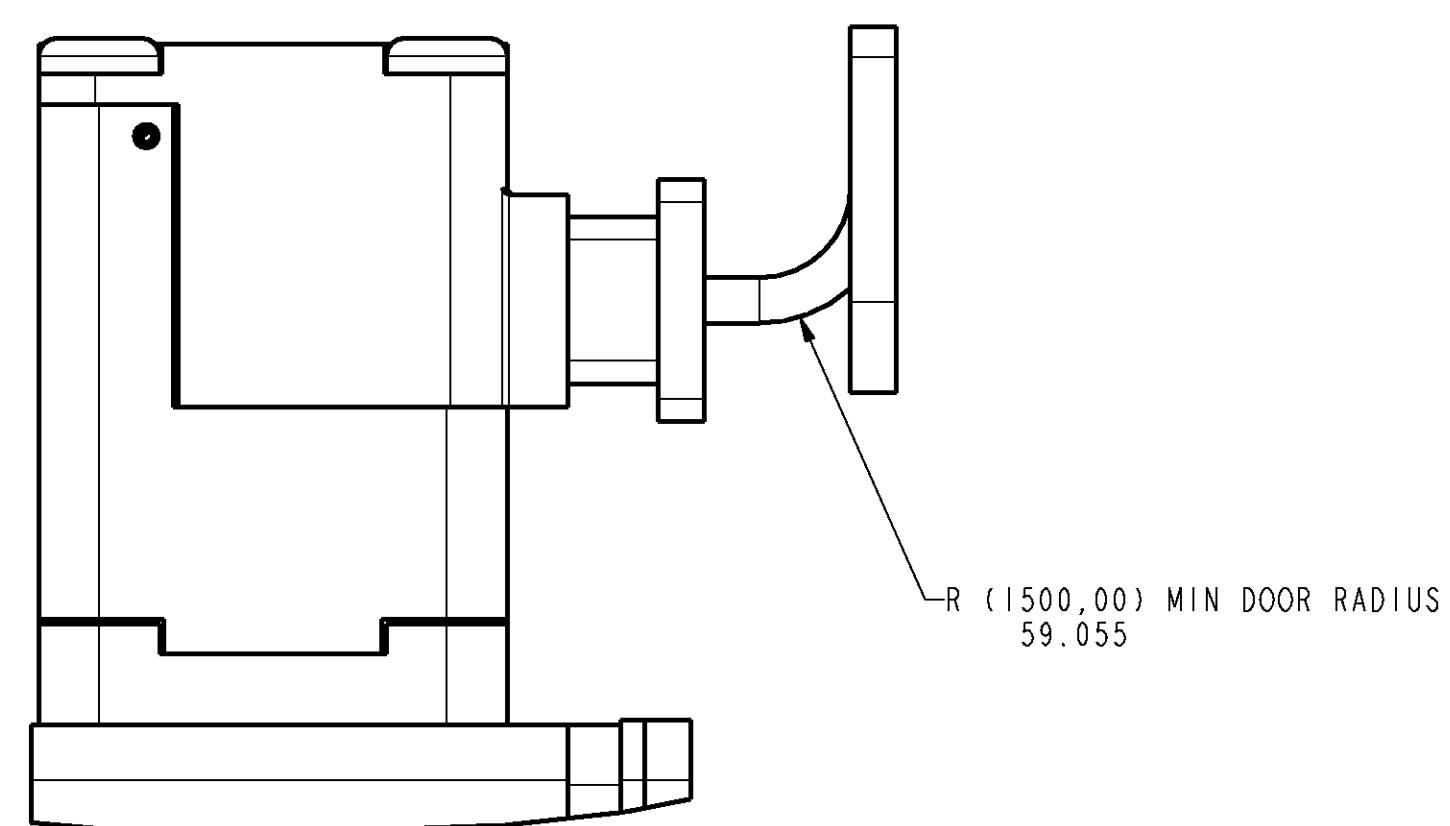
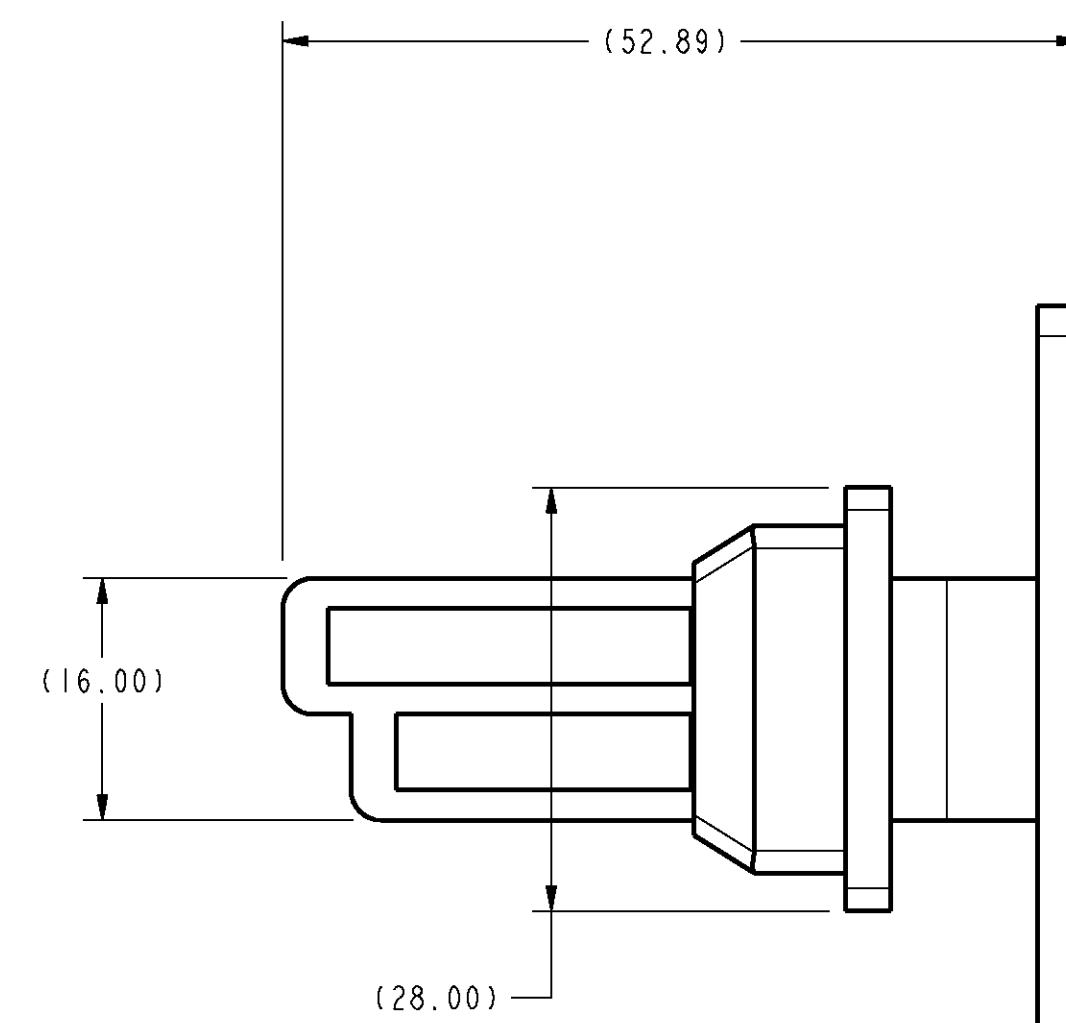
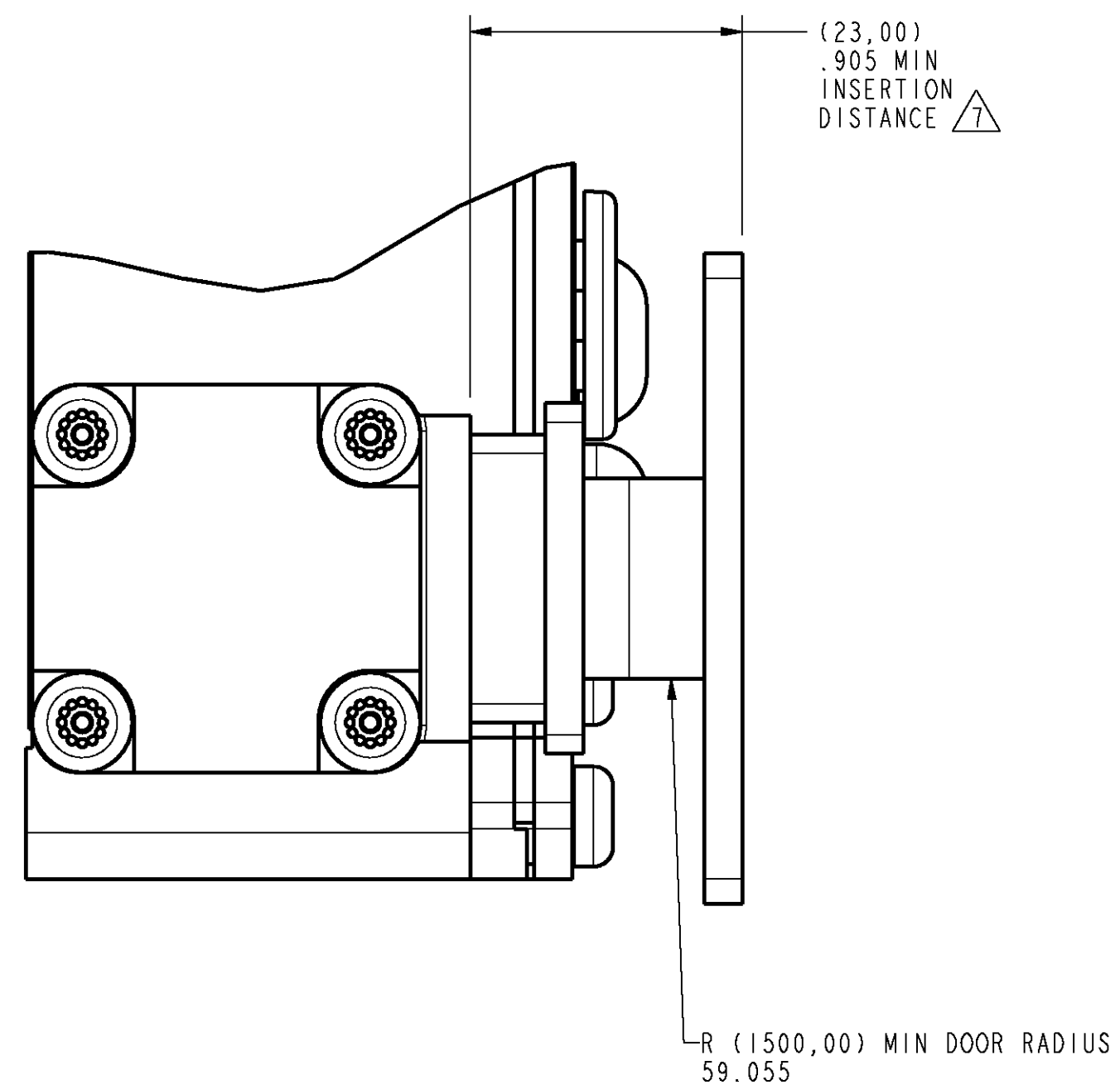
KEY CODE 1

M GK SERIES CHART 2
PAGE 4 OF 14
RELEASE NO. CO-93702
REPLACES

ISSUE	9	DATE	01 OCT 98	BY	JAF	CHKD	JAF																																												
REVISIONS	<table border="1"> <tr> <th>REV</th> <th>DATE</th> <th>BY</th> <th>CHKD</th> </tr> <tr> <td>A</td> <td>01 OCT 98</td> <td>JAF</td> <td>JAF</td> </tr> <tr> <td>B</td> <td>01 OCT 98</td> <td>JAF</td> <td>JAF</td> </tr> <tr> <td>C</td> <td>01 OCT 98</td> <td>JAF</td> <td>JAF</td> </tr> <tr> <td>D</td> <td>01 OCT 98</td> <td>JAF</td> <td>JAF</td> </tr> <tr> <td>E</td> <td>01 OCT 98</td> <td>JAF</td> <td>JAF</td> </tr> <tr> <td>F</td> <td>01 OCT 98</td> <td>JAF</td> <td>JAF</td> </tr> <tr> <td>G</td> <td>01 OCT 98</td> <td>JAF</td> <td>JAF</td> </tr> <tr> <td>H</td> <td>01 OCT 98</td> <td>JAF</td> <td>JAF</td> </tr> <tr> <td>I</td> <td>01 OCT 98</td> <td>JAF</td> <td>JAF</td> </tr> <tr> <td>J</td> <td>01 OCT 98</td> <td>JAF</td> <td>JAF</td> </tr> </table>							REV	DATE	BY	CHKD	A	01 OCT 98	JAF	JAF	B	01 OCT 98	JAF	JAF	C	01 OCT 98	JAF	JAF	D	01 OCT 98	JAF	JAF	E	01 OCT 98	JAF	JAF	F	01 OCT 98	JAF	JAF	G	01 OCT 98	JAF	JAF	H	01 OCT 98	JAF	JAF	I	01 OCT 98	JAF	JAF	J	01 OCT 98	JAF	JAF
REV	DATE	BY	CHKD																																																
A	01 OCT 98	JAF	JAF																																																
B	01 OCT 98	JAF	JAF																																																
C	01 OCT 98	JAF	JAF																																																
D	01 OCT 98	JAF	JAF																																																
E	01 OCT 98	JAF	JAF																																																
F	01 OCT 98	JAF	JAF																																																
G	01 OCT 98	JAF	JAF																																																
H	01 OCT 98	JAF	JAF																																																
I	01 OCT 98	JAF	JAF																																																
J	01 OCT 98	JAF	JAF																																																
PTC/CAD	SAV	20 OCT 98	check	JAF	20 OCT 98	check	JAF																																												

THIS DRAWING COVERS A PROPRIETARY ITEM AND IS THE PROPERTY OF MICRO SWITCH, A DIVISION OF HONEYWELL. THIS DRAWING IS NOT TO BE COPIED OR USED WITHOUT THE APPROVAL OF MICRO SWITCH. FED. MFG. CODE 91929		CATALOG LISTING	
MICRO SWITCH a Honeywell Division		SWITCH - DOOR INTERLOCK GK SERIES CHART 2	
DESIGN UNITS <input checked="" type="checkbox"/> SI METRIC <input type="checkbox"/> US CUSTOMARY		WEIGHT 2,3 kg / 5 LB MAX	

THIRD ANGLE PROJECTION			
SCALE 2 : 1			
DO NOT SCALE PRINT			
TOLERANCES			
APPLY TO DESIGN UNITS. CONVERSIONS ARE ONLY FOR REFERENCE. UNLESS NOTED, TOLERANCES ARE:			
NO PLACES	2 PLACES	THREE PLACES	ANGLES
±0.13	±0.025	±0.013	±0.005



KEY CODE 2

DRAWING NUMBER: 9
 ISSUE: 5 OF 14
 RELEASE NO. CO-93702
 REPLACES: 5
 PTC/CAD
 DRAWN: SAV
 CHECK: JAF
 DATE: 20 OCT 98

REV	DATE	BY	CHKD	DESCRIPTION
A	09	CO		83702
B	20	OCT	98	5
C	24	MAR	99	83702
D	01	JUL	99	83702
E	08	APR	99	83702
F	24	AUG	99	83702
G	20	OCT	98	5
H	20	OCT	98	5
I	20	OCT	98	5
J	20	OCT	98	5
K	20	OCT	98	5
L	20	OCT	98	5
M	20	OCT	98	5
N	20	OCT	98	5
O	20	OCT	98	5
P	20	OCT	98	5
Q	20	OCT	98	5
R	20	OCT	98	5
S	20	OCT	98	5
T	20	OCT	98	5
U	20	OCT	98	5
V	20	OCT	98	5
W	20	OCT	98	5
X	20	OCT	98	5
Y	20	OCT	98	5
Z	20	OCT	98	5

THIS DRAWING COVERS A PROPRIETARY ITEM AND IS THE PROPERTY OF MICRO SWITCH, A DIVISION OF HONEYWELL. THIS DRAWING IS NOT TO BE COPIED OR USED WITHOUT THE APPROVAL OF MICRO SWITCH.

FED. MFG. CODE 91929

CATALOG LISTING

MICRO SWITCH
a Honeywell Division

SWITCH - DOOR INTERLOCK

GK SERIES CHART 2

DESIGN UNITS: SI METRIC US CUSTOMARY

WEIGHT 2,3 kg / 5 LB MAX

NO. PLACES	ONE PLACE	TWO PLACES	THREE PLACES	ANGLES
DIK	2.0	2.5	3.0	0.13
DIK	12.04	15.24	19.05	0.51
DIK	0.25	0.38	0.51	0.13
DIK	0.01	0.02	0.03	0.00

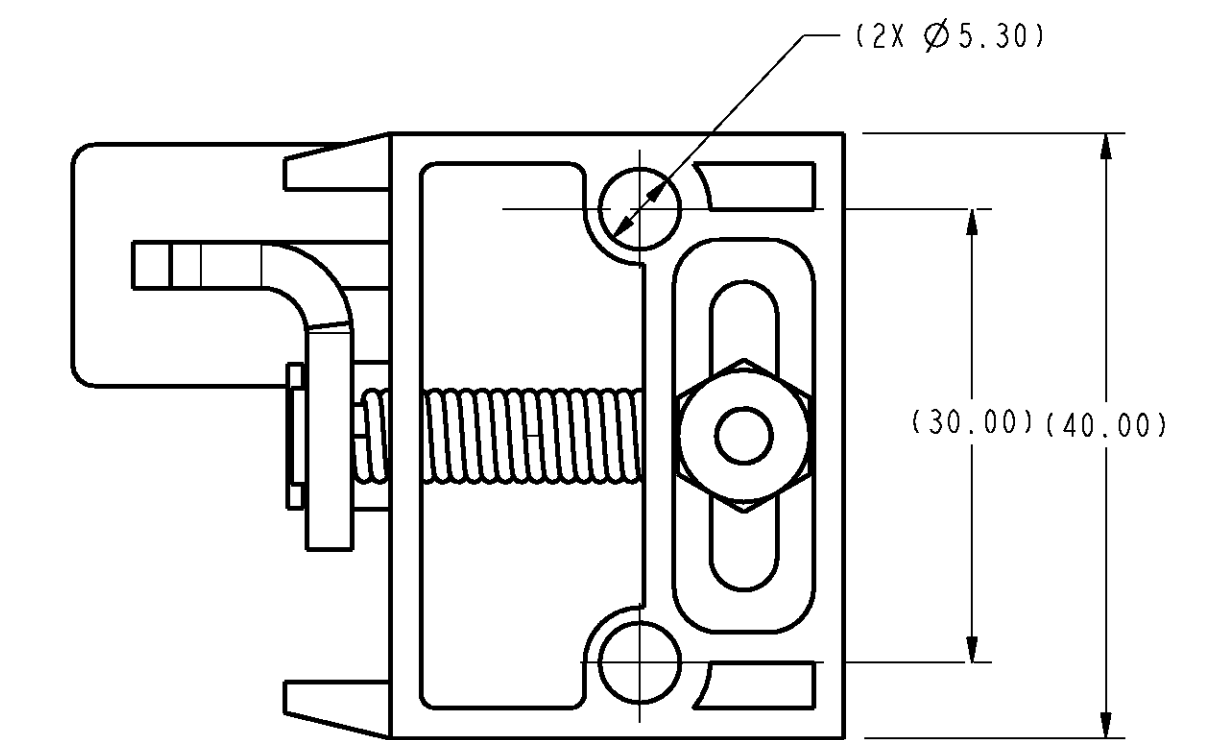
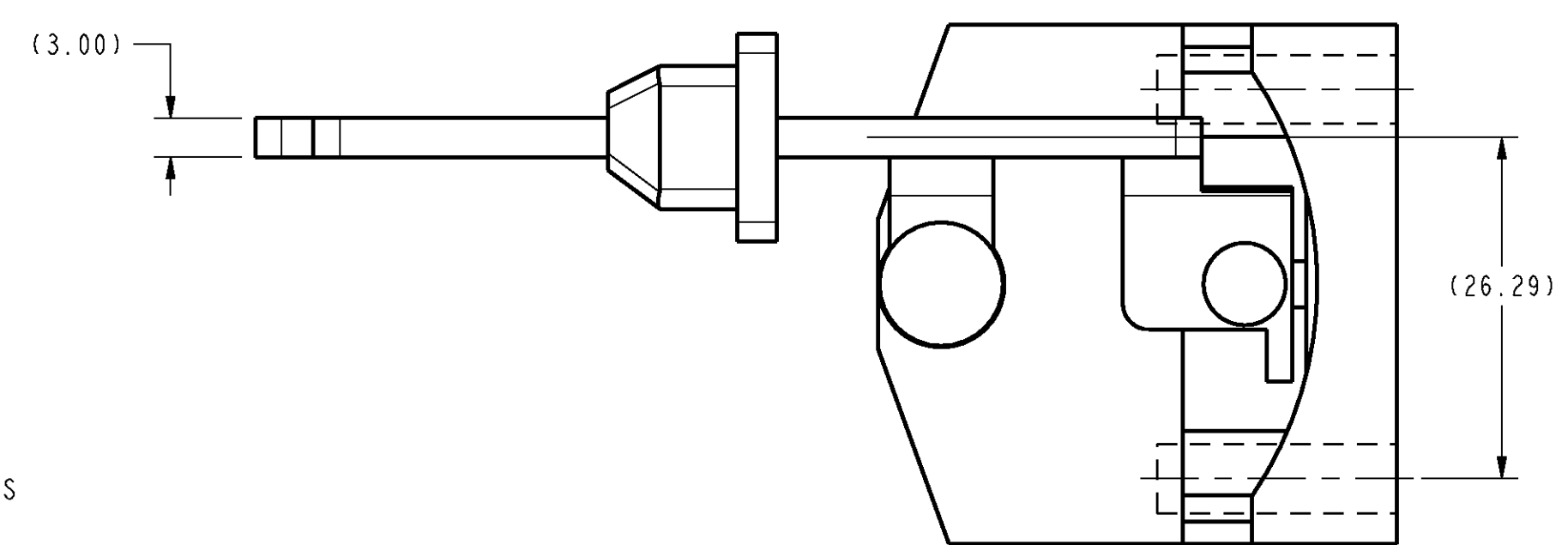
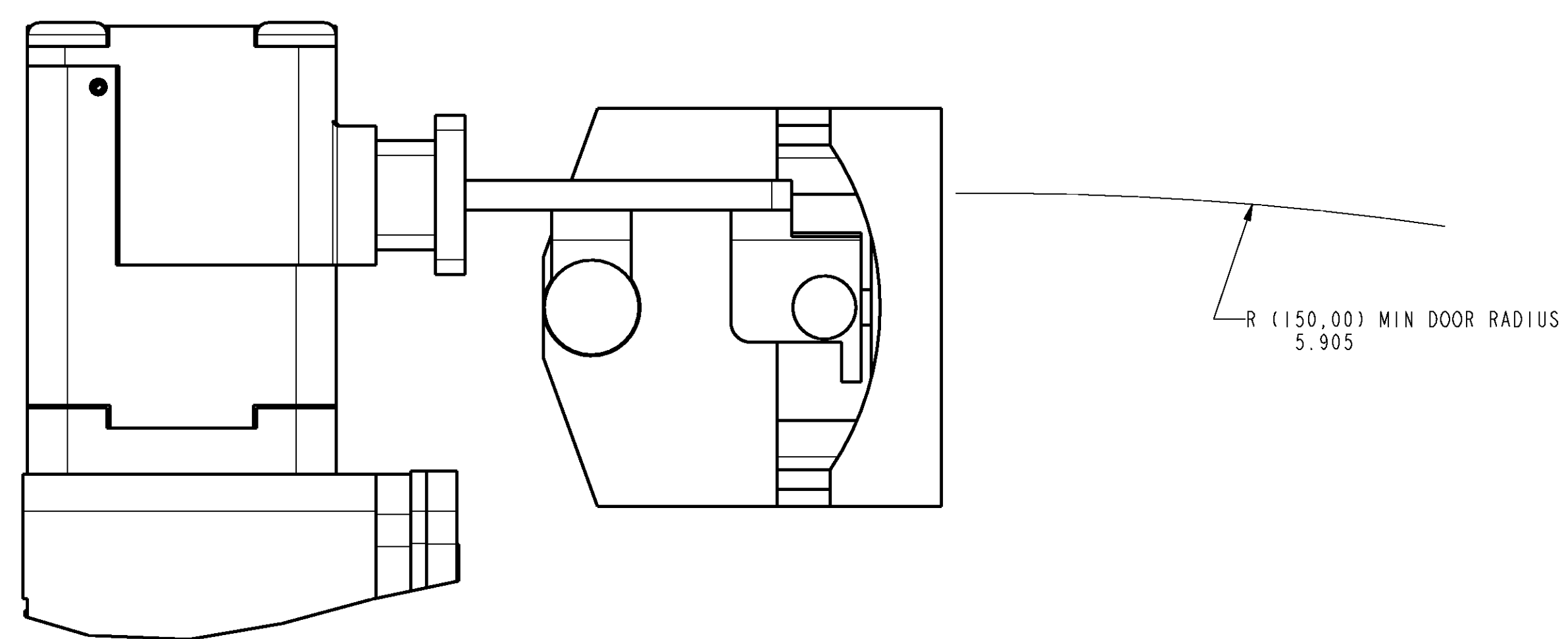
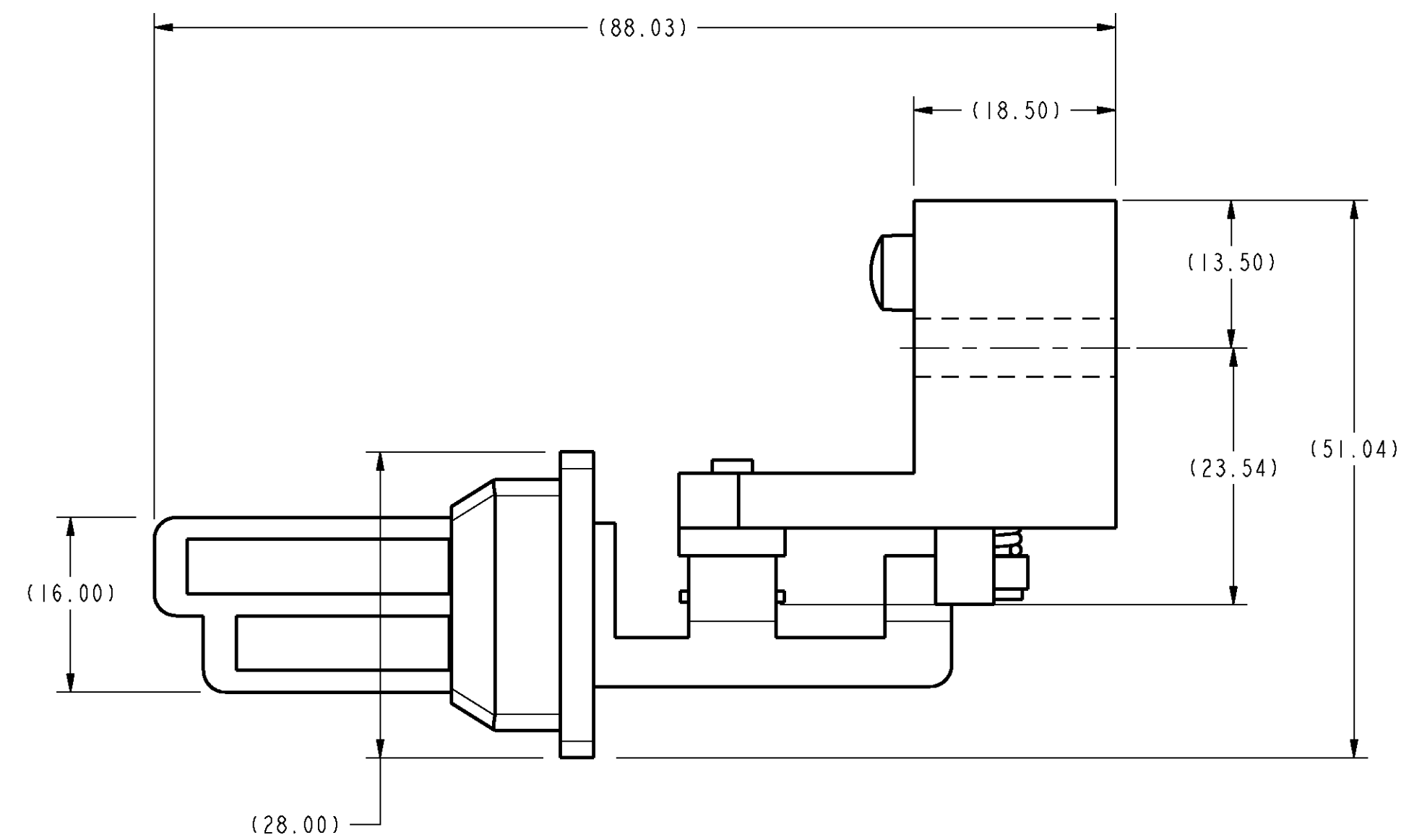
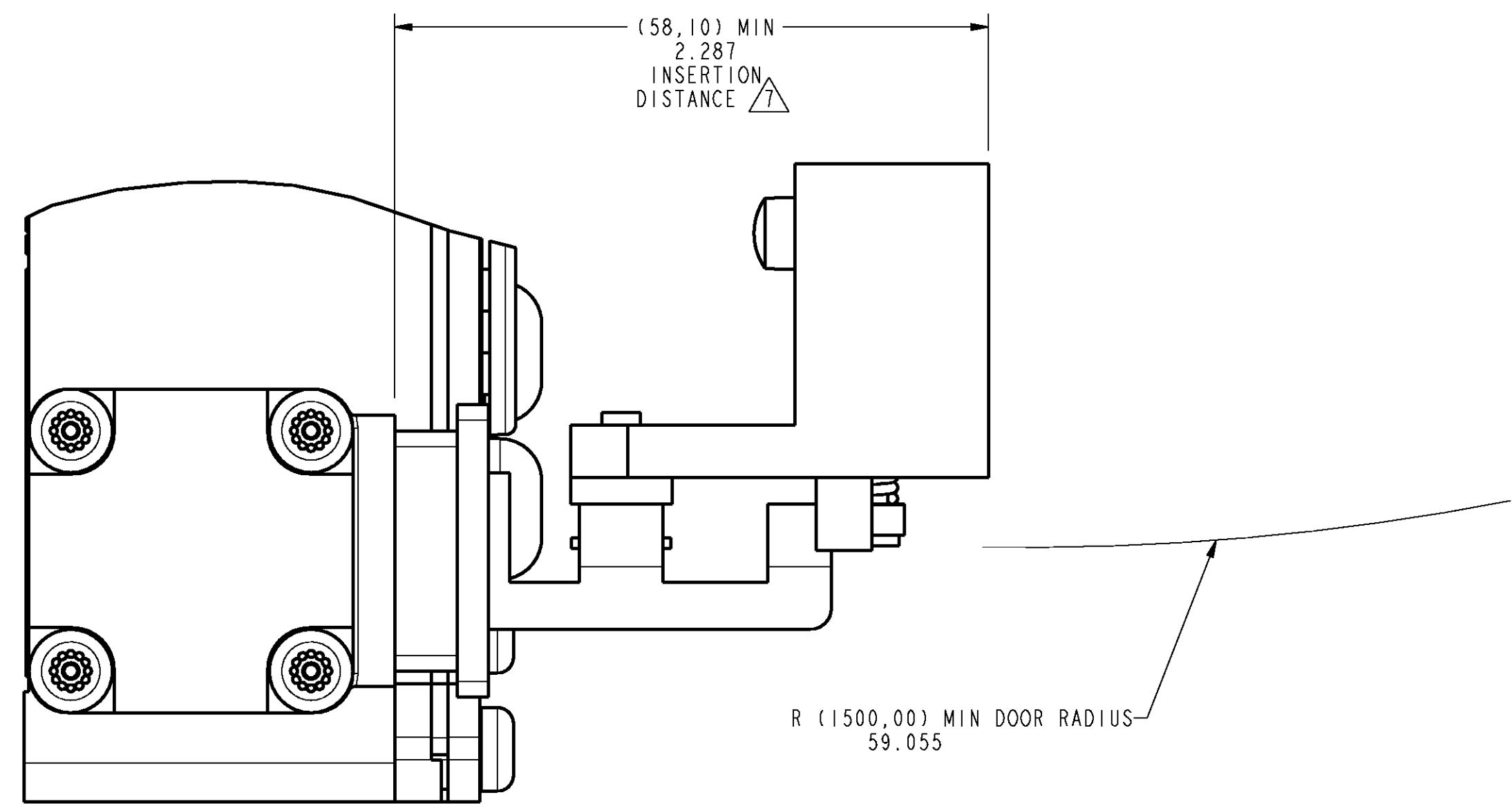
THIRD ANGLE PROJECTION

SCALE 2 : 1

DO NOT SCALE PRINT

TOLERANCES

APPLY TO DESIGN UNITS. CONVERSIONS ARE ONLY FOR REFERENCE. UNLESS NOTED, TOLERANCES ARE:

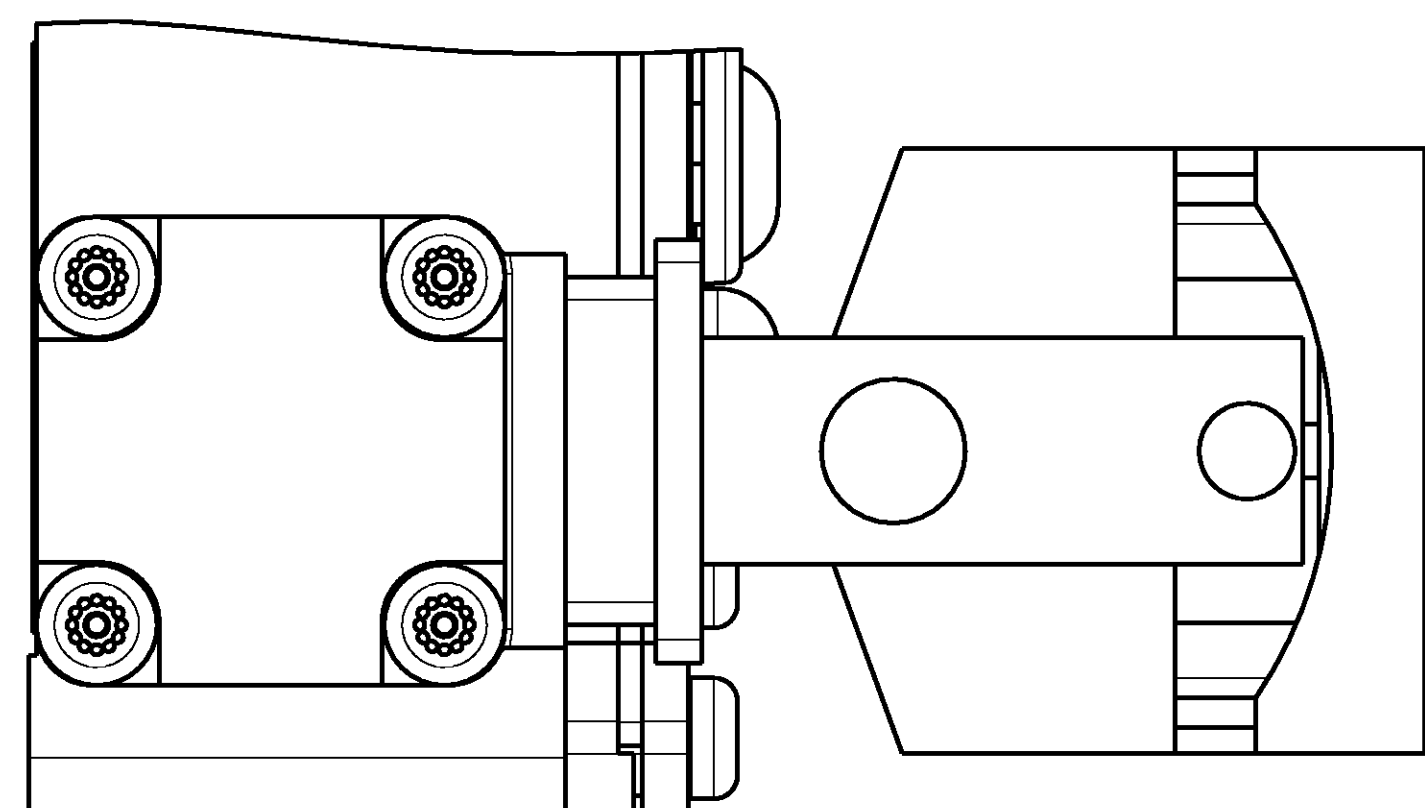


KEY CODE 3

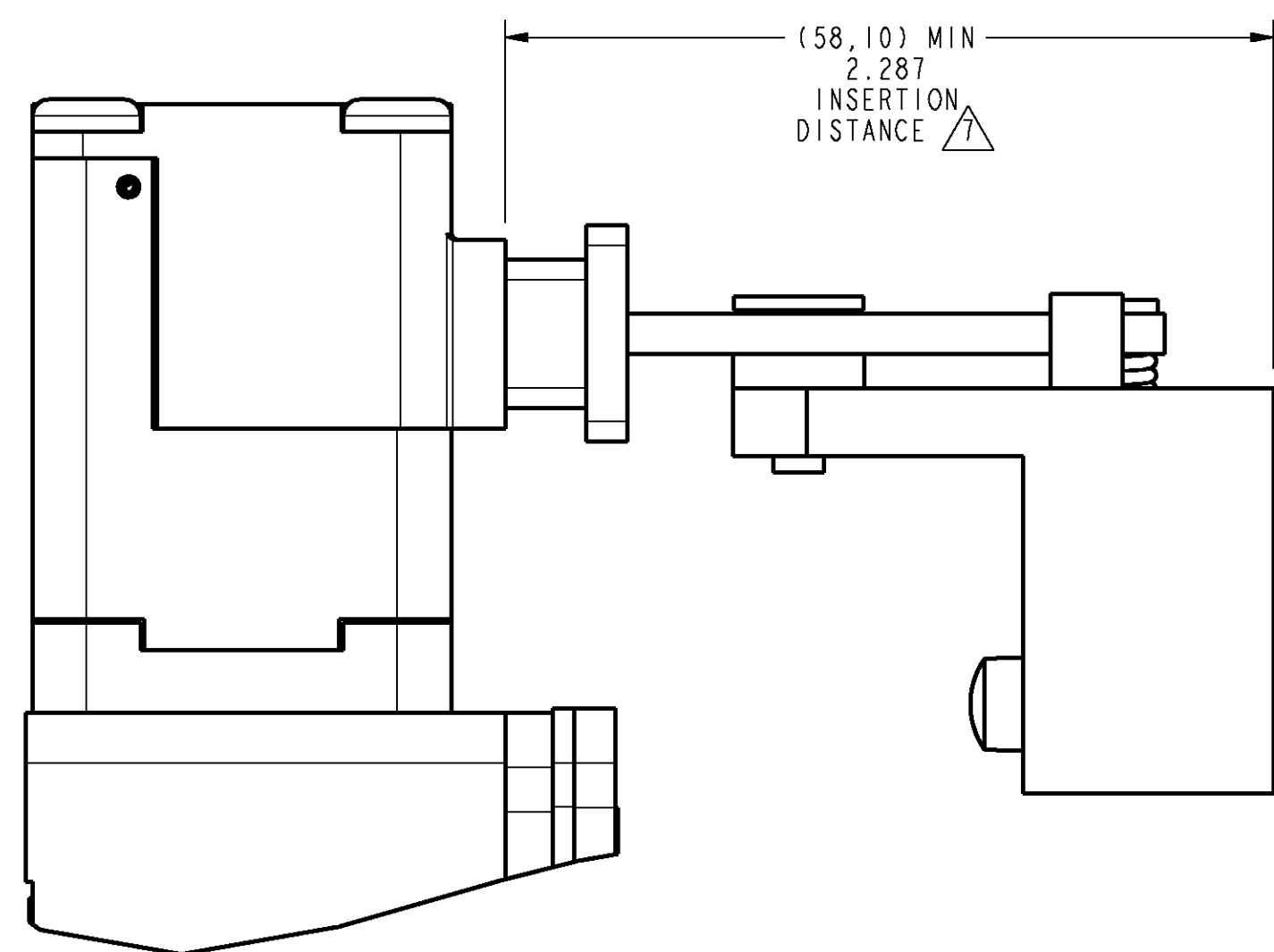
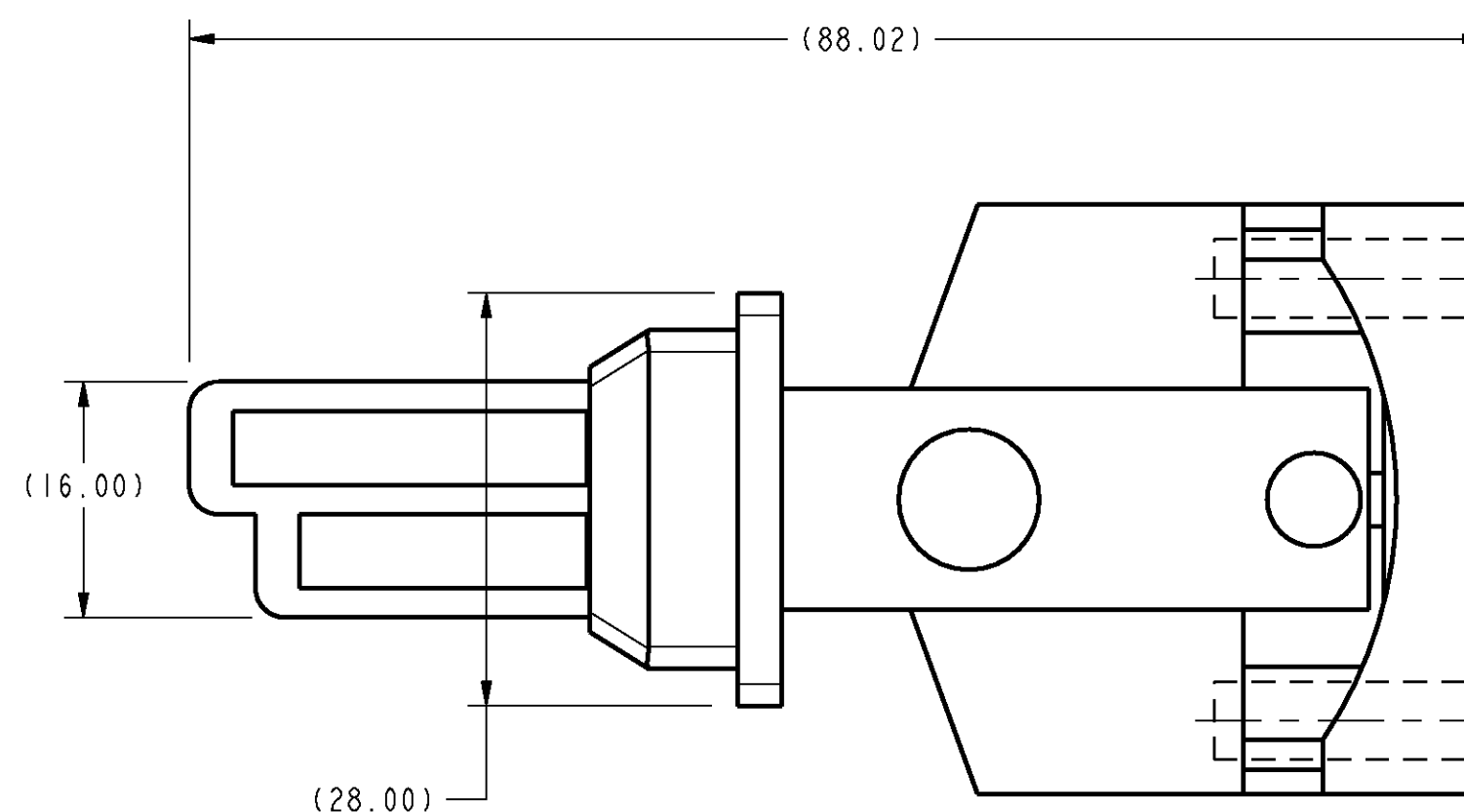
DRAWING NUMBER: 9
 ISSUE: 9
 PTC/CAD: SAV
 DRAWN: JAF
 CHECK: JAF
 DATE: 20 OCT 98
 RELEASE NO: CO-93702
 REPLACES: 6 OF 14

REV	DATE	BY	CHK	DESCRIPTION
A	20 OCT 98	SAV	JAF	CO-93702
B	24 MAR 99	SAV	JAF	93702
C	8 APR 99	SAV	JAF	93702
D	24 AUG 99	SAV	JAF	93702
E	20 OCT 98	SAV	JAF	93702
F	20 OCT 98	SAV	JAF	93702
G	20 OCT 98	SAV	JAF	93702
H	20 OCT 98	SAV	JAF	93702

THIS DRAWING COVERS A PROPRIETARY ITEM AND IS THE PROPERTY OF MICRO SWITCH, A DIVISION OF HONEYWELL. THIS DRAWING IS NOT TO BE COPIED OR USED WITHOUT THE APPROVAL OF MICRO SWITCH. FED. MFG. CODE 91929		CATALOG LISTING SWITCH - DOOR INTERLOCK GK SERIES CHART 2	
MICRO SWITCH a Honeywell Division		DESIGN UNITS: <input checked="" type="checkbox"/> SI METRIC <input type="checkbox"/> US CUSTOMARY	
WEIGHT 2,3 kg / 5 LB MAX		THIRD ANGLE PROJECTION SCALE 2 : 1 DO NOT SCALE PRINT TOLERANCES APPLY TO DESIGN UNITS. CONVERSIONS ARE ONLY FOR REFERENCE, UNLESS NOTED. TOLERANCES ARE:	
NO PLACES	2.0	12.00	0.01/0.05
ONE PLACE	2.5	12.50	0.01/0.05
TWO PLACES	3.0	13.00	0.01/0.05
THREE PLACES	3.5	13.50	0.01/0.05
ANGLES	0.1	0.1	0.13/0.05

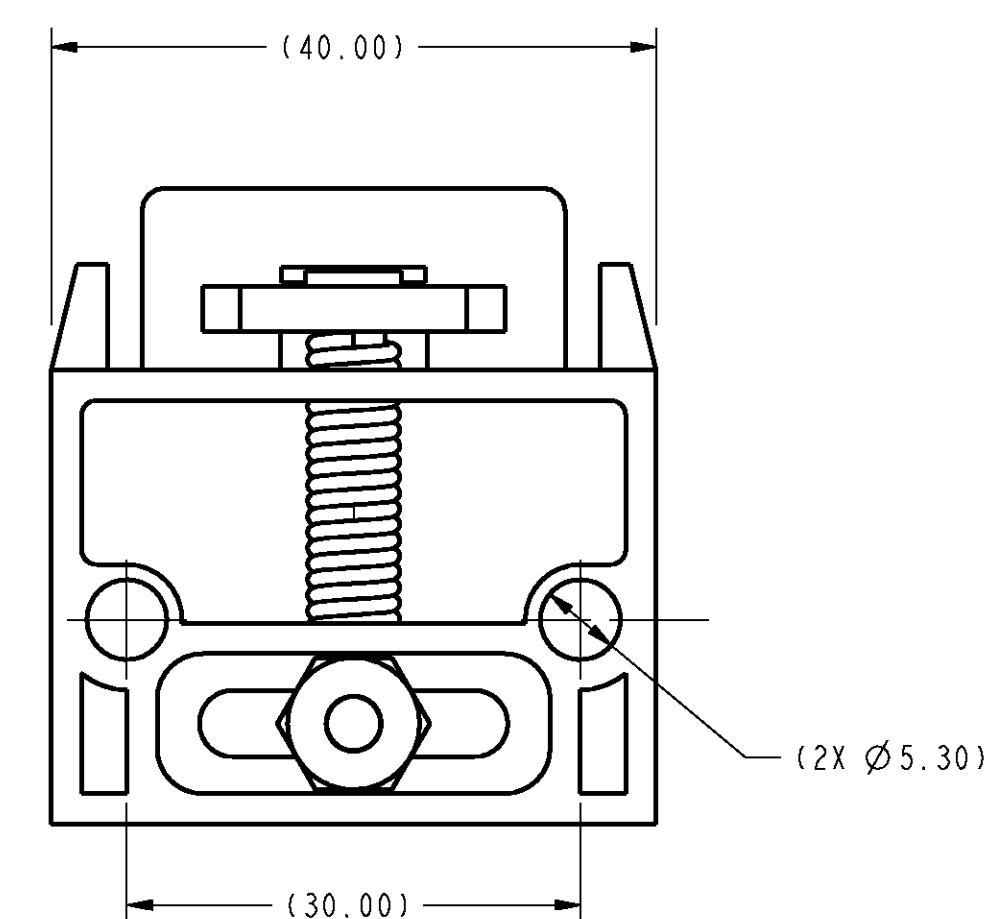
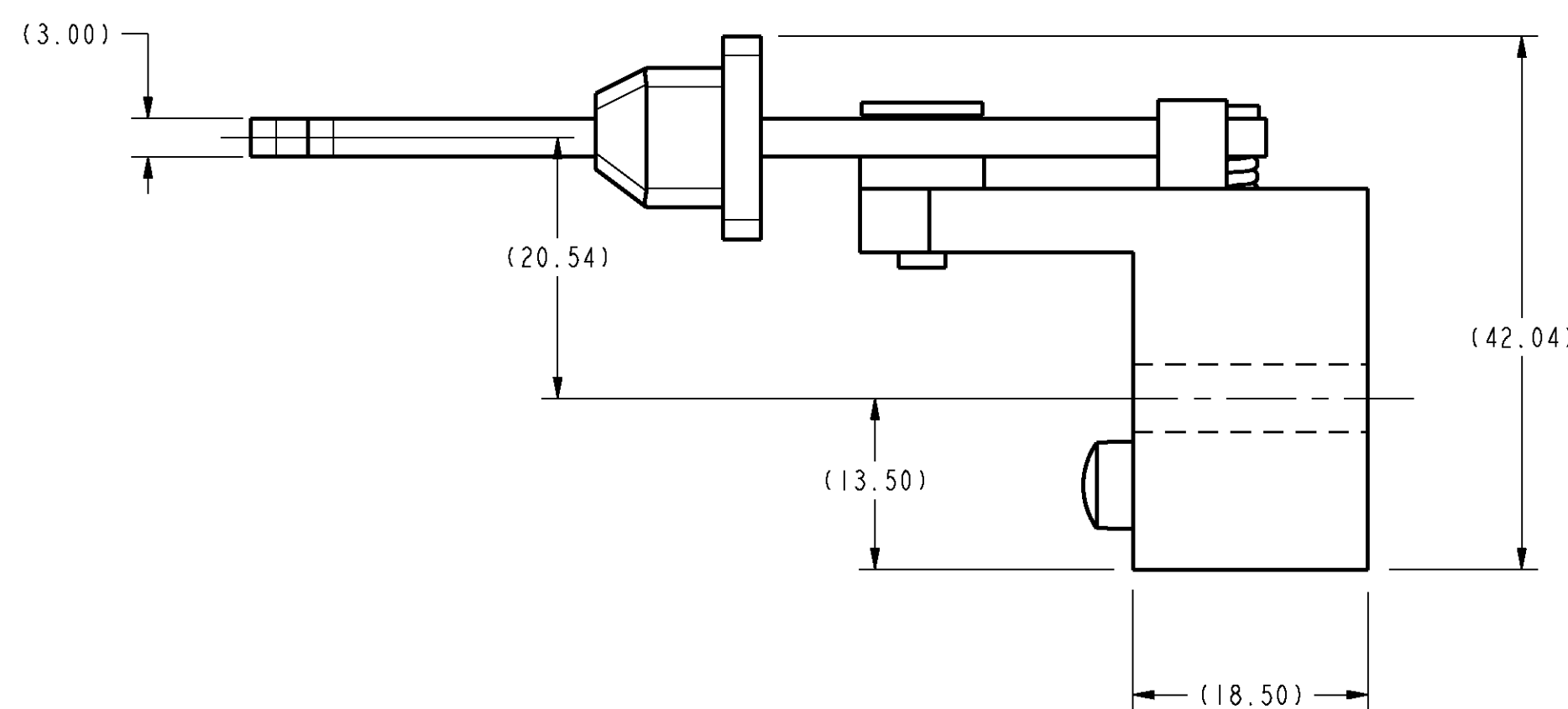


R (150.00) MIN DOOR RADIUS
5.905



(58.10) MIN
2.287
INSERTION
DISTANCE

R (1000.00) MIN DOOR RADIUS
39.370



KEY CODE 4

M GK SERIES CHART 2
DRAWING NUMBER
PAGE 7 OF 14
RELEASE NO. CO-93702
REPLACES

ISSUE 9

REVISIONS

REV	DATE	BY	CHKD	DESCRIPTION
A	03/02/82	CO		
B	20 OCT 88	SA		
C	24 MAR 93	SA		
D	01/14	SA		
E	08 APR 99	SA		
F	24 AUG 99	SA		
G	20 SEP 98	SA		
H	01 OCT 01	JAF		

PTC/CAD
DRAWN
SAV 20 OCT 98
CHECK

THIS DRAWING COVERS A PROPRIETARY ITEM AND IS THE PROPERTY OF MICRO SWITCH, A DIVISION OF HONEYWELL. THIS DRAWING IS NOT TO BE COPIED OR USED WITHOUT THE APPROVAL OF MICRO SWITCH.
FED. MFG. CODE 91929
MICRO SWITCH
a Honeywell Division
CATALOG LISTING
SWITCH - DOOR INTERLOCK
GK SERIES CHART 2
WEIGHT 2.3 kg / 5 LB MAX

THIRD ANGLE PROJECTION			
SCALE 2 : 1			
DO NOT SCALE PRINT			
TOLERANCES			
APPLY TO DESIGN UNITS. CONVERSIONS ARE ONLY FOR REFERENCE. UNLESS NOTED, TOLERANCES ARE:			
NO PLACES	2.0	0.00	0.00
ONE PLACE	0.1	0.00	0.00
TWO PLACES	0.05	0.00	0.00
THREE PLACES	0.025	0.00	0.00
ANGLES	0.1	0.00	0.00
DESIGN UNITS	SI METRIC	US CUSTOMARY	
WEIGHT 2.3 kg / 5 LB MAX			

MICRO SWITCH a Honeywell Division	SWITCH - DOOR INTERLOCK	GK SERIES CHART 2	CATALOG LISTING
THIS DRAWING GOVERN THE MANUFACTURE AND IS THE PROPERTY OF MICRO SWITCH DIVISION OF HONEYWELL. THIS DRAWING IS NOT TO BE COPIED OR REPRODUCED WITHOUT THE APPROVAL OF MICRO SWITCH.			
FED. REG. CODE: 91929			
MODIFICATION CODE: F03			
ANSI Y14.5M-1982 APPLIES			
WEIGHT: 2.3 kg / 5 LB MAX			
DESIGN UNITS: * * * * *			
SI METRIC: * * * * *			
OF CUSTOMER: * * * * *			
APPLY TO SERIAL NUMBERS: * * * * *			
DO NOT SCALE PRINT			
SCALE: FULL			
THIRD ANGLE PROJECTION			

300V 7A
BRAD-HARRISON 43005 OR EQUIVALENT

1 - 16 UN-2A (24.64)

(28.70)

PIN 1 PIN 2 PIN 3 PIN 4
PIN 5 PIN 6 PIN 7 PIN 8

COMMON (-) 5

6 8 21 22 13 14 2 3 4 7

VDC

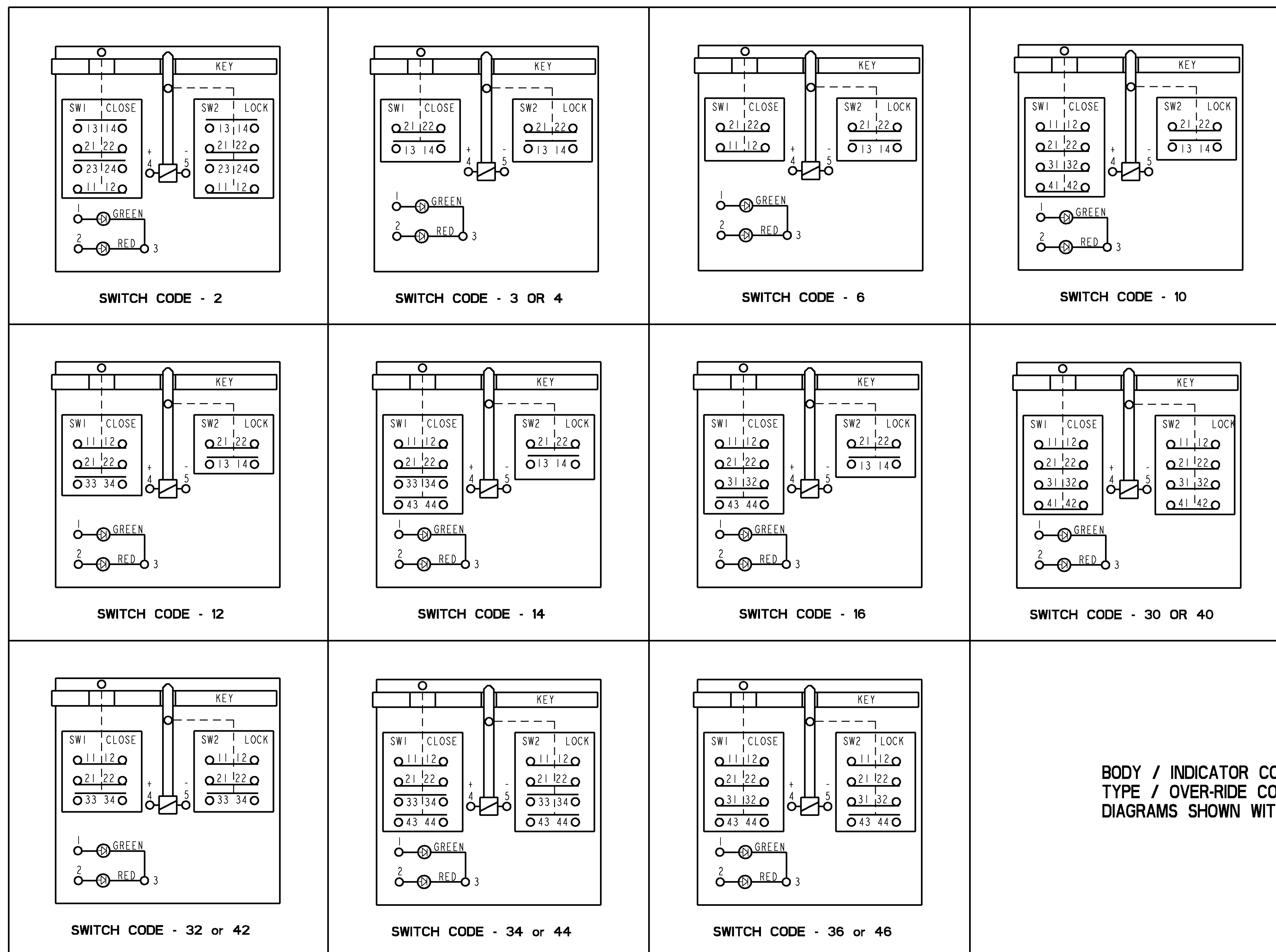
SAV	20 OCT 98	CHECK	JAF
DRWN	98	CHECK	JAF
ISSUE	9	CHECK	JAF
RELEASE NO.	CO-93702	REPLACE	
PAGE	8 OF 14		
CATALOG	GK SERIES CHART 2		
REV. NO.	A	13702	
REV. DATE	20 OCT 84		
REV. BY	B	13702	
REV. DATE	24 FEB 88		
REV. BY	C	13702	
REV. DATE	9 JUL 88		
REV. BY	D	13702	
REV. DATE	24 FEB 88		
REV. BY	E	13702	
REV. DATE	20 OCT 84		
REV. BY	F	13702	
REV. DATE	20 OCT 84		
REV. BY	G	13702	
REV. DATE	24 FEB 88		
REV. BY	H	13702	
REV. DATE	9 JUL 88		
REV. BY	I	13702	
REV. DATE	24 FEB 88		

MICRO SWITCH a Honeywell Division	SWITCH - DOOR INTERLOCK	GK SERIES CHART 2	CATALOG LISTING
THIS DRAWING COVERED BY PATENT RIGHTS AND IS THE PROPERTY OF HONEYWELL INFORMATION SYSTEMS, A DIVISION OF HONEYWELL. THIS DRAWING IS NOT TO BE COPIED OR USED WITHOUT THE APPROVAL OF A LOCK SWITCH.			
FED. REG. CODE: 91929			
10 COMMON (-) 9 8			
SAFETY 1 2 3 4 5 6 7 8 9 10			
MONITOR 11 12 13 14 21 22 23 24			
GREEN 13 14 23 24			
RED 13 14 23 24			
7			
+24 VDC			
1 / 16-16 UN-2A (31.75) (29.60)			
PIN 10 PIN 9 PIN 8 PIN 7 PIN 6 PIN 5 PIN 4 PIN 3 PIN 2 PIN 1			
300V 7A BRAD-HARRISON 47205 OR EQUIVALENT			
MODIFICATION CODE: F03			
THIRD ANGLE PROJECTION SCALE FULL DO NOT SCALE PRINT APPLY TO DIMENSIONS ONLY FOR REFERENCE. DIMENSIONS INDICATED ARE IN INCHES UNLESS OTHERWISE NOTED. DESIGN UNITS: INCHES WEIGHT: 2.3 kg / 5 LB MAX			

P T/C/AD
 ANS1 Y14.5M-1982 APPLIES

SAV	20 OCT 98	CHECK	JAF
DRWN	98	CHECK	JAF
ISSUE	9	CHECK	JAF
PAGE	9 OF 14	CHECK	JAF
RELEASE NO.	CO-93702	CHECK	JAF
REPLACES		CHECK	JAF

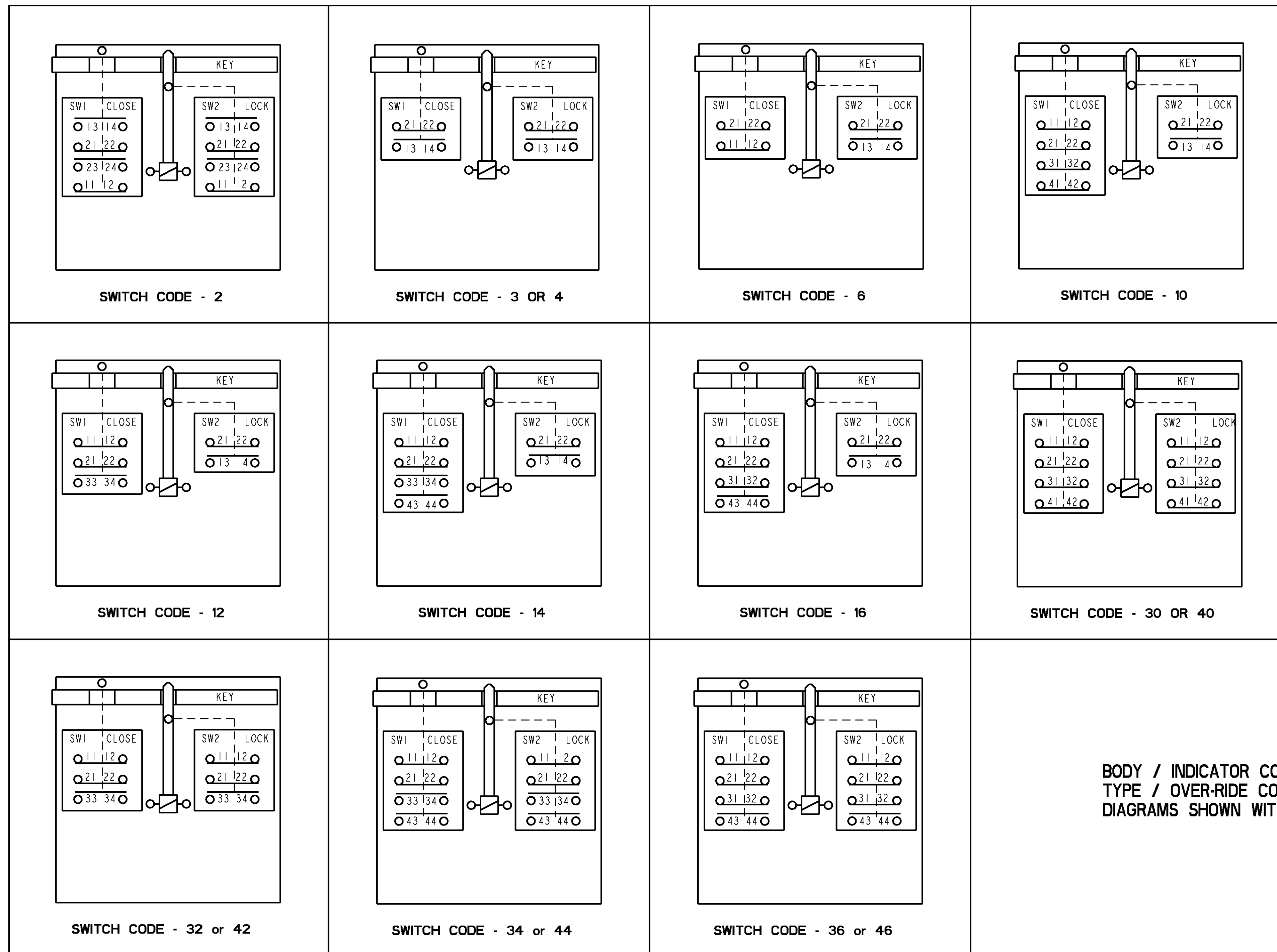
REV	DATE	BY	CHKD	APP'D
A	13702			
B	507-36			
C	43570			
D	43570			
E	43570			
F	43570			
G	43570			
H	43570			
I	43570			
J	43570			
K	43570			
L	43570			
M	43570			
N	43570			
O	43570			
P	43570			
Q	43570			
R	43570			
S	43570			
T	43570			
U	43570			
V	43570			
W	43570			
X	43570			
Y	43570			
Z	43570			



BODY / INDICATOR CODES - L OR R
 TYPE / OVER-RIDE CODES - A OR B
 DIAGRAMS SHOWN WITH KEY INSERTED AND LOCKED

DRAWING NUMBER: 9
 PAGES: 11 OF 14
 RELEASE NO. CO-93702
 REPLACES:
 REVISIONS:
 A 10 OCT 88
 B 10 OCT 88
 C 25 MAR 93
 D 8 APR 99
 E 24 AUG 99
 F 20 OCT 99
 G 20 OCT 99
 H 24 APR 00
 I 01 OCT 01
 JAF 20 OCT 98
 PTC/CAD
 DRAWN
 SAV 20 OCT 98
 CHECK

THIS DRAWING COVERS A PROPRIETARY ITEM AND IS THE PROPERTY OF MICRO SWITCH, A DIVISION OF HONEYWELL. THIS DRAWING IS NOT TO BE COPIED OR USED WITHOUT THE APPROVAL OF MICRO SWITCH. FED. MFG. CODE 91929		CATALOG LISTING MICRO SWITCH a Honeywell Division		SWITCH - DOOR INTERLOCK GK SERIES CHART 2	
DESIGN UNITS: <input checked="" type="checkbox"/> SI METRIC <input type="checkbox"/> US CUSTOMARY		WEIGHT 2,3 kg / 5 LB MAX		THIRD ANGLE PROJECTION SCALE FULL DO NOT SCALE PRINT TOLERANCES APPLY TO DESIGN UNITS. CONVERSIONS ARE ONLY FOR REFERENCE, UNLESS NOTED. TOLERANCES ARE:	
NO. PLACES	2.0	12.04	0.01	0.01	0.01
ONE PLACE	2.0	12.04	0.01	0.01	0.01
TWO PLACES	2.0	12.04	0.01	0.01	0.01
THREE PLACES	2.0	12.04	0.01	0.01	0.01
ANGLES	2.0	12.04	0.01	0.01	0.01



BODY / INDICATOR CODES - F OR G
 TYPE / OVER-RIDE CODES - A OR B
 DIAGRAMS SHOWN WITH KEY INSERTED AND LOCKED

M GK SERIES CHART 2
 DRAWING NUMBER: 12 OF 14
 RELEASE NO. CO-93702
 REPLACES:
 ISSUE 9
 REVISIONS:
 A 10 OCT 88
 B 10 OCT 88
 C 10 OCT 88
 D 10 OCT 88
 E 10 OCT 88
 F 10 OCT 88
 G 10 OCT 88
 H 10 OCT 88
 I 10 OCT 88
 J 10 OCT 88
 K 10 OCT 88
 L 10 OCT 88
 M 10 OCT 88
 N 10 OCT 88
 O 10 OCT 88
 P 10 OCT 88
 Q 10 OCT 88
 R 10 OCT 88
 S 10 OCT 88
 T 10 OCT 88
 U 10 OCT 88
 V 10 OCT 88
 W 10 OCT 88
 X 10 OCT 88
 Y 10 OCT 88
 Z 10 OCT 88
 AA 10 OCT 88
 AB 10 OCT 88
 AC 10 OCT 88
 AD 10 OCT 88
 AE 10 OCT 88
 AF 10 OCT 88
 AG 10 OCT 88
 AH 10 OCT 88
 AI 10 OCT 88
 AJ 10 OCT 88
 AK 10 OCT 88
 AL 10 OCT 88
 AM 10 OCT 88
 AN 10 OCT 88
 AO 10 OCT 88
 AP 10 OCT 88
 AQ 10 OCT 88
 AR 10 OCT 88
 AS 10 OCT 88
 AT 10 OCT 88
 AU 10 OCT 88
 AV 10 OCT 88
 AW 10 OCT 88
 AX 10 OCT 88
 AY 10 OCT 88
 AZ 10 OCT 88
 BA 10 OCT 88
 BB 10 OCT 88
 BC 10 OCT 88
 BD 10 OCT 88
 BE 10 OCT 88
 BF 10 OCT 88
 BG 10 OCT 88
 BH 10 OCT 88
 BI 10 OCT 88
 BJ 10 OCT 88
 BK 10 OCT 88
 BL 10 OCT 88
 BM 10 OCT 88
 BN 10 OCT 88
 BO 10 OCT 88
 BP 10 OCT 88
 BQ 10 OCT 88
 BR 10 OCT 88
 BS 10 OCT 88
 BT 10 OCT 88
 BU 10 OCT 88
 BV 10 OCT 88
 BW 10 OCT 88
 BX 10 OCT 88
 BY 10 OCT 88
 BZ 10 OCT 88
 CA 10 OCT 88
 CB 10 OCT 88
 CC 10 OCT 88
 CD 10 OCT 88
 CE 10 OCT 88
 CF 10 OCT 88
 CG 10 OCT 88
 CH 10 OCT 88
 CI 10 OCT 88
 CJ 10 OCT 88
 CK 10 OCT 88
 CL 10 OCT 88
 CM 10 OCT 88
 CN 10 OCT 88
 CO 10 OCT 88
 CP 10 OCT 88
 CQ 10 OCT 88
 CR 10 OCT 88
 CS 10 OCT 88
 CT 10 OCT 88
 CU 10 OCT 88
 CV 10 OCT 88
 CW 10 OCT 88
 CX 10 OCT 88
 CY 10 OCT 88
 CZ 10 OCT 88
 DA 10 OCT 88
 DB 10 OCT 88
 DC 10 OCT 88
 DD 10 OCT 88
 DE 10 OCT 88
 DF 10 OCT 88
 DG 10 OCT 88
 DH 10 OCT 88
 DI 10 OCT 88
 DJ 10 OCT 88
 DK 10 OCT 88
 DL 10 OCT 88
 DM 10 OCT 88
 DN 10 OCT 88
 DO 10 OCT 88
 DP 10 OCT 88
 DQ 10 OCT 88
 DR 10 OCT 88
 DS 10 OCT 88
 DT 10 OCT 88
 DU 10 OCT 88
 DV 10 OCT 88
 DW 10 OCT 88
 DX 10 OCT 88
 DY 10 OCT 88
 DZ 10 OCT 88
 EA 10 OCT 88
 EB 10 OCT 88
 EC 10 OCT 88
 ED 10 OCT 88
 EE 10 OCT 88
 EF 10 OCT 88
 EG 10 OCT 88
 EH 10 OCT 88
 EI 10 OCT 88
 EJ 10 OCT 88
 EK 10 OCT 88
 EL 10 OCT 88
 EM 10 OCT 88
 EN 10 OCT 88
 EO 10 OCT 88
 EP 10 OCT 88
 EQ 10 OCT 88
 ER 10 OCT 88
 ES 10 OCT 88
 ET 10 OCT 88
 EU 10 OCT 88
 EV 10 OCT 88
 EW 10 OCT 88
 EX 10 OCT 88
 EY 10 OCT 88
 EZ 10 OCT 88
 FA 10 OCT 88
 FB 10 OCT 88
 FC 10 OCT 88
 FD 10 OCT 88
 FE 10 OCT 88
 FF 10 OCT 88
 FG 10 OCT 88
 FH 10 OCT 88
 FI 10 OCT 88
 FJ 10 OCT 88
 FK 10 OCT 88
 FL 10 OCT 88
 FM 10 OCT 88
 FN 10 OCT 88
 FO 10 OCT 88
 FP 10 OCT 88
 FQ 10 OCT 88
 FR 10 OCT 88
 FS 10 OCT 88
 FT 10 OCT 88
 FU 10 OCT 88
 FV 10 OCT 88
 FW 10 OCT 88
 FX 10 OCT 88
 FY 10 OCT 88
 FZ 10 OCT 88
 GA 10 OCT 88
 GB 10 OCT 88
 GC 10 OCT 88
 GD 10 OCT 88
 GE 10 OCT 88
 GF 10 OCT 88
 GG 10 OCT 88
 GH 10 OCT 88
 GI 10 OCT 88
 GJ 10 OCT 88
 GK 10 OCT 88
 GL 10 OCT 88
 GM 10 OCT 88
 GN 10 OCT 88
 GO 10 OCT 88
 GP 10 OCT 88
 GQ 10 OCT 88
 GR 10 OCT 88
 GS 10 OCT 88
 GT 10 OCT 88
 GU 10 OCT 88
 GV 10 OCT 88
 GW 10 OCT 88
 GX 10 OCT 88
 GY 10 OCT 88
 GZ 10 OCT 88
 HA 10 OCT 88
 HB 10 OCT 88
 HC 10 OCT 88
 HD 10 OCT 88
 HE 10 OCT 88
 HF 10 OCT 88
 HG 10 OCT 88
 HH 10 OCT 88
 HI 10 OCT 88
 HJ 10 OCT 88
 HK 10 OCT 88
 HL 10 OCT 88
 HM 10 OCT 88
 HN 10 OCT 88
 HO 10 OCT 88
 HP 10 OCT 88
 HQ 10 OCT 88
 HR 10 OCT 88
 HS 10 OCT 88
 HT 10 OCT 88
 HU 10 OCT 88
 HV 10 OCT 88
 HW 10 OCT 88
 HX 10 OCT 88
 HY 10 OCT 88
 HZ 10 OCT 88
 IA 10 OCT 88
 IB 10 OCT 88
 IC 10 OCT 88
 ID 10 OCT 88
 IE 10 OCT 88
 IF 10 OCT 88
 IG 10 OCT 88
 IH 10 OCT 88
 II 10 OCT 88
 IJ 10 OCT 88
 IK 10 OCT 88
 IL 10 OCT 88
 IM 10 OCT 88
 IN 10 OCT 88
 IO 10 OCT 88
 IP 10 OCT 88
 IQ 10 OCT 88
 IR 10 OCT 88
 IS 10 OCT 88
 IT 10 OCT 88
 IU 10 OCT 88
 IV 10 OCT 88
 IW 10 OCT 88
 IX 10 OCT 88
 IY 10 OCT 88
 IZ 10 OCT 88
 JA 10 OCT 88
 JB 10 OCT 88
 JC 10 OCT 88
 JD 10 OCT 88
 JE 10 OCT 88
 JF 10 OCT 88
 JG 10 OCT 88
 JH 10 OCT 88
 JI 10 OCT 88
 JJ 10 OCT 88
 JK 10 OCT 88
 JL 10 OCT 88
 JM 10 OCT 88
 JN 10 OCT 88
 JO 10 OCT 88
 JP 10 OCT 88
 JQ 10 OCT 88
 JR 10 OCT 88
 JS 10 OCT 88
 JT 10 OCT 88
 JU 10 OCT 88
 JV 10 OCT 88
 JW 10 OCT 88
 JX 10 OCT 88
 JY 10 OCT 88
 JZ 10 OCT 88
 KA 10 OCT 88
 KB 10 OCT 88
 KC 10 OCT 88
 KD 10 OCT 88
 KE 10 OCT 88
 KF 10 OCT 88
 KG 10 OCT 88
 KH 10 OCT 88
 KI 10 OCT 88
 KJ 10 OCT 88
 KK 10 OCT 88
 KL 10 OCT 88
 KM 10 OCT 88
 KN 10 OCT 88
 KO 10 OCT 88
 KP 10 OCT 88
 KQ 10 OCT 88
 KR 10 OCT 88
 KS 10 OCT 88
 KT 10 OCT 88
 KU 10 OCT 88
 KV 10 OCT 88
 KW 10 OCT 88
 KX 10 OCT 88
 KY 10 OCT 88
 KZ 10 OCT 88
 LA 10 OCT 88
 LB 10 OCT 88
 LC 10 OCT 88
 LD 10 OCT 88
 LE 10 OCT 88
 LF 10 OCT 88
 LG 10 OCT 88
 LH 10 OCT 88
 LI 10 OCT 88
 LJ 10 OCT 88
 LK 10 OCT 88
 LL 10 OCT 88
 LM 10 OCT 88
 LN 10 OCT 88
 LO 10 OCT 88
 LP 10 OCT 88
 LQ 10 OCT 88
 LR 10 OCT 88
 LS 10 OCT 88
 LT 10 OCT 88
 LU 10 OCT 88
 LV 10 OCT 88
 LW 10 OCT 88
 LX 10 OCT 88
 LY 10 OCT 88
 LZ 10 OCT 88
 MA 10 OCT 88
 MB 10 OCT 88
 MC 10 OCT 88
 MD 10 OCT 88
 ME 10 OCT 88
 MF 10 OCT 88
 MG 10 OCT 88
 MH 10 OCT 88
 MI 10 OCT 88
 MJ 10 OCT 88
 MK 10 OCT 88
 ML 10 OCT 88
 MM 10 OCT 88
 MN 10 OCT 88
 MO 10 OCT 88
 MP 10 OCT 88
 MQ 10 OCT 88
 MR 10 OCT 88
 MS 10 OCT 88
 MT 10 OCT 88
 MU 10 OCT 88
 MV 10 OCT 88
 MW 10 OCT 88
 MX 10 OCT 88
 MY 10 OCT 88
 MZ 10 OCT 88
 NA 10 OCT 88
 NB 10 OCT 88
 NC 10 OCT 88
 ND 10 OCT 88
 NE 10 OCT 88
 NF 10 OCT 88
 NG 10 OCT 88
 NH 10 OCT 88
 NI 10 OCT 88
 NJ 10 OCT 88
 NK 10 OCT 88
 NL 10 OCT 88
 NM 10 OCT 88
 NN 10 OCT 88
 NO 10 OCT 88
 NP 10 OCT 88
 NQ 10 OCT 88
 NR 10 OCT 88
 NS 10 OCT 88
 NT 10 OCT 88
 NU 10 OCT 88
 NV 10 OCT 88
 NW 10 OCT 88
 NX 10 OCT 88
 NY 10 OCT 88
 NZ 10 OCT 88
 OA 10 OCT 88
 OB 10 OCT 88
 OC 10 OCT 88
 OD 10 OCT 88
 OE 10 OCT 88
 OF 10 OCT 88
 OG 10 OCT 88
 OH 10 OCT 88
 OI 10 OCT 88
 OJ 10 OCT 88
 OK 10 OCT 88
 OL 10 OCT 88
 OM 10 OCT 88
 ON 10 OCT 88
 OO 10 OCT 88
 OP 10 OCT 88
 OQ 10 OCT 88
 OR 10 OCT 88
 OS 10 OCT 88
 OT 10 OCT 88
 OU 10 OCT 88
 OV 10 OCT 88
 OW 10 OCT 88
 OX 10 OCT 88
 OY 10 OCT 88
 OZ 10 OCT 88
 PA 10 OCT 88
 PB 10 OCT 88
 PC 10 OCT 88
 PD 10 OCT 88
 PE 10 OCT 88
 PF 10 OCT 88
 PG 10 OCT 88
 PH 10 OCT 88
 PI 10 OCT 88
 PJ 10 OCT 88
 PK 10 OCT 88
 PL 10 OCT 88
 PM 10 OCT 88
 PN 10 OCT 88
 PO 10 OCT 88
 PP 10 OCT 88
 PQ 10 OCT 88
 PR 10 OCT 88
 PS 10 OCT 88
 PT 10 OCT 88
 PU 10 OCT 88
 PV 10 OCT 88
 PW 10 OCT 88
 PX 10 OCT 88
 PY 10 OCT 88
 PZ 10 OCT 88
 QA 10 OCT 88
 QB 10 OCT 88
 QC 10 OCT 88
 QD 10 OCT 88
 QE 10 OCT 88
 QF 10 OCT 88
 QG 10 OCT 88
 QH 10 OCT 88
 QI 10 OCT 88
 QJ 10 OCT 88
 QK 10 OCT 88
 QL 10 OCT 88
 QM 10 OCT 88
 QN 10 OCT 88
 QO 10 OCT 88
 QP 10 OCT 88
 QQ 10 OCT 88
 QR 10 OCT 88
 QS 10 OCT 88
 QT 10 OCT 88
 QU 10 OCT 88
 QV 10 OCT 88
 QW 10 OCT 88
 QX 10 OCT 88
 QY 10 OCT 88
 QZ 10 OCT 88
 RA 10 OCT 88
 RB 10 OCT 88
 RC 10 OCT 88
 RD 10 OCT 88
 RE 10 OCT 88
 RF 10 OCT 88
 RG 10 OCT 88
 RH 10 OCT 88
 RI 10 OCT 88
 RJ 10 OCT 88
 RK 10 OCT 88
 RL 10 OCT 88
 RM 10 OCT 88
 RN 10 OCT 88
 RO 10 OCT 88
 RP 10 OCT 88
 RQ 10 OCT 88
 RR 10 OCT 88
 RS 10 OCT 88
 RT 10 OCT 88
 RU 10 OCT 88
 RV 10 OCT 88
 RW 10 OCT 88
 RX 10 OCT 88
 RY 10 OCT 88
 RZ 10 OCT 88
 SA 10 OCT 88
 SB 10 OCT 88
 SC 10 OCT 88
 SD 10 OCT 88
 SE 10 OCT 88
 SF 10 OCT 88
 SG 10 OCT 88
 SH 10 OCT 88
 SI 10 OCT 88
 SJ 10 OCT 88
 SK 10 OCT 88
 SL 10 OCT 88
 SM 10 OCT 88
 SN 10 OCT 88
 SO 10 OCT 88
 SP 10 OCT 88
 SQ 10 OCT 88
 SR 10 OCT 88
 SS 10 OCT 88
 ST 10 OCT 88
 SU 10 OCT 88
 SV 10 OCT 88
 SW 10 OCT 88
 SX 10 OCT 88
 SY 10 OCT 88
 SZ 10 OCT 88
 TA 10 OCT 88
 TB 10 OCT 88
 TC 10 OCT 88
 TD 10 OCT 88
 TE 10 OCT 88
 TF 10 OCT 88
 TG 10 OCT 88
 TH 10 OCT 88
 TI 10 OCT 88
 TJ 10 OCT 88
 TK 10 OCT 88
 TL 10 OCT 88
 TM 10 OCT 88
 TN 10 OCT 88
 TO 10 OCT 88
 TP 10 OCT 88
 TQ 10 OCT 88
 TR 10 OCT 88
 TS 10 OCT 88
 TT 10 OCT 88
 TU 10 OCT 88
 TV 10 OCT 88
 TW 10 OCT 88
 TX 10 OCT 88
 TY 10 OCT 88
 TZ 10 OCT 88
 UA 10 OCT 88
 UB 10 OCT 88
 UC 10 OCT 88
 UD 10 OCT 88
 UE 10 OCT 88
 UF 10 OCT 88
 UG 10 OCT 88
 UH 10 OCT 88
 UI 10 OCT 88
 UJ 10 OCT 88
 UK 10 OCT 88
 UL 10 OCT 88
 UM 10 OCT 88
 UN 10 OCT 88
 UO 10 OCT 88
 UP 10 OCT 88
 UQ 10 OCT 88
 UR 10 OCT 88
 US 10 OCT 88
 UT 10 OCT 88
 UY 10 OCT 88
 UV 10 OCT 88
 UW 10 OCT 88
 UX 10 OCT 88
 UY 10 OCT 88
 UZ 10 OCT 88
 VA 10 OCT 88
 VB 10 OCT 88
 VC 10 OCT 88
 VD 10 OCT 88
 VE 10 OCT 88
 VF 10 OCT 88
 VG 10 OCT 88
 VH 10 OCT 88
 VI 10 OCT 88
 VJ 10 OCT 88
 VK 10 OCT 88
 VL 10 OCT 88
 VM 10 OCT 88
 VN 10 OCT 88
 VO 10 OCT 88
 VP 10 OCT 88
 VQ 10 OCT 88
 VR 10 OCT 88
 VS 10 OCT 88
 VT 10 OCT 88
 VU 10 OCT 88
 VV 10 OCT 88
 VW 10 OCT 88
 VX 10 OCT 88
 VY 10 OCT 88
 VZ 10 OCT 88
 WA 10 OCT 88
 WB 10 OCT 88
 WC 10 OCT 88
 WD 10 OCT 88
 WE 10 OCT 88
 WF 10 OCT 88
 WG 10 OCT 88
 WH 10 OCT 88
 WI 10 OCT 88
 WJ 10 OCT 88
 WK 10 OCT 88
 WL 10 OCT 88
 WM 10 OCT 88
 WN 10 OCT 88
 WO 10 OCT 88
 WP 10 OCT 88
 WQ 10 OCT 88
 WR 10 OCT 88
 WS 10 OCT 88
 WT 10 OCT 88
 WU 10 OCT 88
 WV 10 OCT 88
 WW 10 OCT 88
 WX 10 OCT 88
 WY 10 OCT 88
 WZ 10 OCT 88
 XA 10 OCT 88
 XB 10 OCT 88
 XC 10 OCT 88
 XD 10 OCT 88
 XE 10 OCT 88
 XF 10 OCT 88
 XG 10 OCT 88
 XH 10 OCT 88
 XI 10 OCT 88
 XJ 10 OCT 88
 XK 10 OCT 88
 XL 10 OCT 88
 XM 10 OCT 88
 XN 10 OCT 88
 XO 10 OCT 88
 XP 10 OCT 88
 XQ 10 OCT 88
 XR 10 OCT 88
 XS 10 OCT 88
 XT 10 OCT 88
 XU 10 OCT 88
 XV 10 OCT 88
 XW 10 OCT 88
 XX 10 OCT 88
 XY 10 OCT 88
 XZ 10 OCT 88
 YA 10 OCT 88
 YB 10 OCT 88
 YC 10 OCT 88
 YD 10 OCT 88
 YE 10 OCT 88
 YF 10 OCT 88
 YG 10 OCT 88
 YH 10 OCT 88
 YI 10 OCT 88
 YJ 10 OCT 88
 YK 10 OCT 88
 YL 10 OCT 88
 YM 10 OCT 88
 YN 10 OCT 88
 YO 10 OCT 88
 YP 10 OCT 88
 YQ 10 OCT 88
 YR 10 OCT 88
 YS 10 OCT 88
 YT 10 OCT 88
 YU 10 OCT 88
 YV 10 OCT 88
 YW 10 OCT 88
 YX 10 OCT 88
 YZ 10 OCT 88
 ZA 10 OCT 88
 ZB 10 OCT 88
 ZC 10 OCT 88
 ZD 10 OCT 88
 ZE 10 OCT 88
 ZF 10 OCT 88
 ZG 10 OCT 88
 ZH 10 OCT 88
 ZI 10 OCT 88
 ZJ 10 OCT 88
 ZK 10 OCT 88
 ZL 10 OCT 88
 ZM 10 OCT 88
 ZN 10 OCT 88
 ZO 10 OCT 88
 ZP 10 OCT 88
 ZQ 10 OCT 88
 ZR 10 OCT 88
 ZS 10 OCT 88
 ZT 10 OCT 88
 ZU 10 OCT 88
 ZV 10 OCT 88
 ZW 10 OCT 88
 ZX 10 OCT 88
 ZY 10 OCT 88
 ZZ 10 OCT 88

THIS DRAWING COVERS A PROPRIETARY ITEM AND IS THE PROPERTY OF MICRO SWITCH, A DIVISION OF HONEYWELL. THIS DRAWING IS NOT TO BE COPIED OR USED WITHOUT THE APPROVAL OF MICRO SWITCH.

FED. MFG. CODE 91929 CATALOG LISTING

MICRO SWITCH
a Honeywell Division

SWITCH - DOOR INTERLOCK

GK SERIES CHART 2

DESIGN UNITS: SI METRIC US CUSTOMARY

WEIGHT 2,3 kg / 5 LB MAX

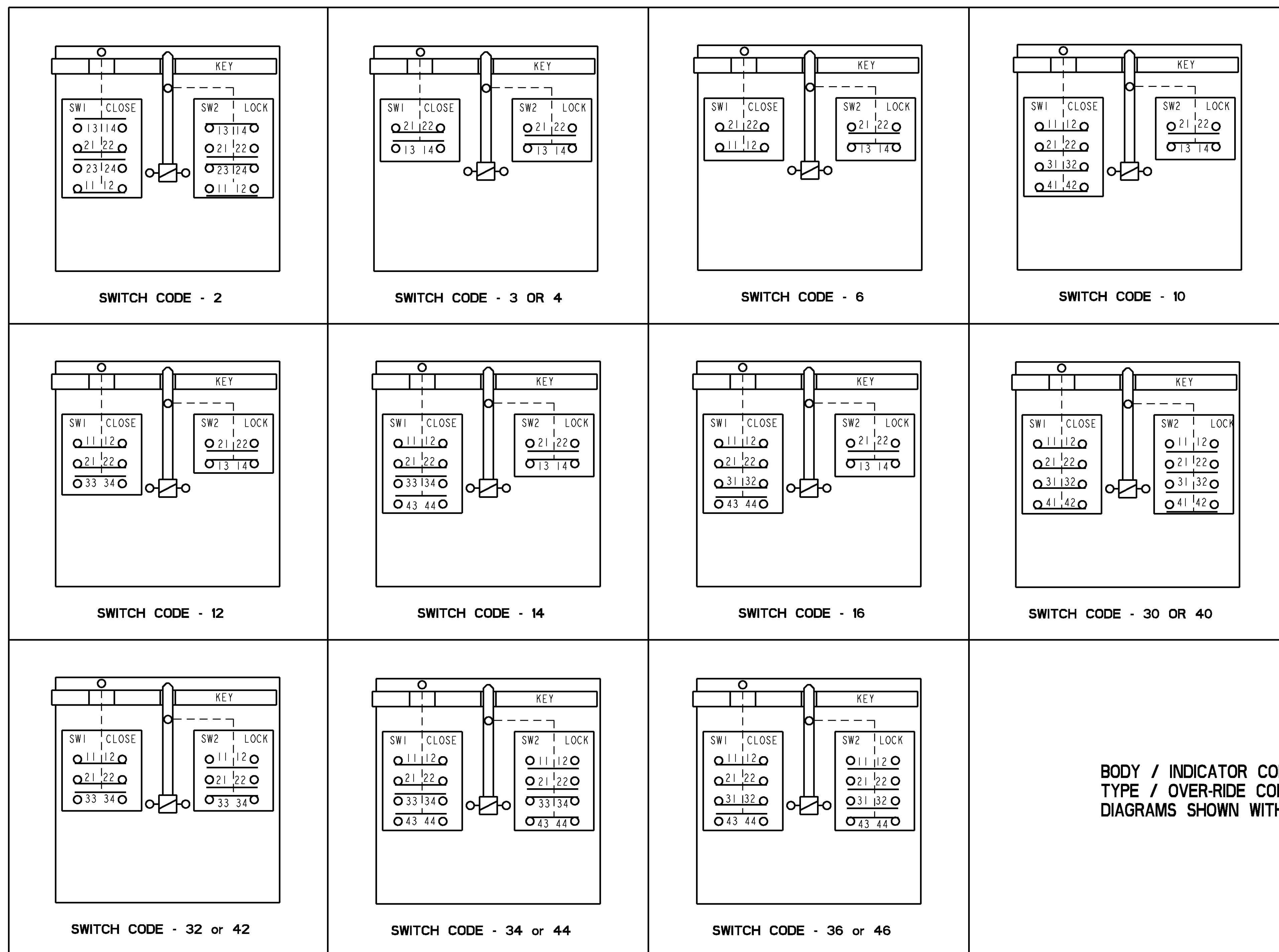
THIRD ANGLE PROJECTION

SCALE FULL

DO NOT SCALE PRINT

TOLERANCES
 APPLY TO DESIGN UNITS. CONVERSIONS ARE ONLY FOR REFERENCE. UNLESS NOTED, TOLERANCES ARE:

NO. PLACES	2.0	12.04	0.001	0.001
ONE PLACE	2.5	12.7	0.001	0.001
TWO PLACES	3.0	12.7	0.001	0.001
THREE PLACES	3.5	12.7	0.001	0.001
ANGLES				

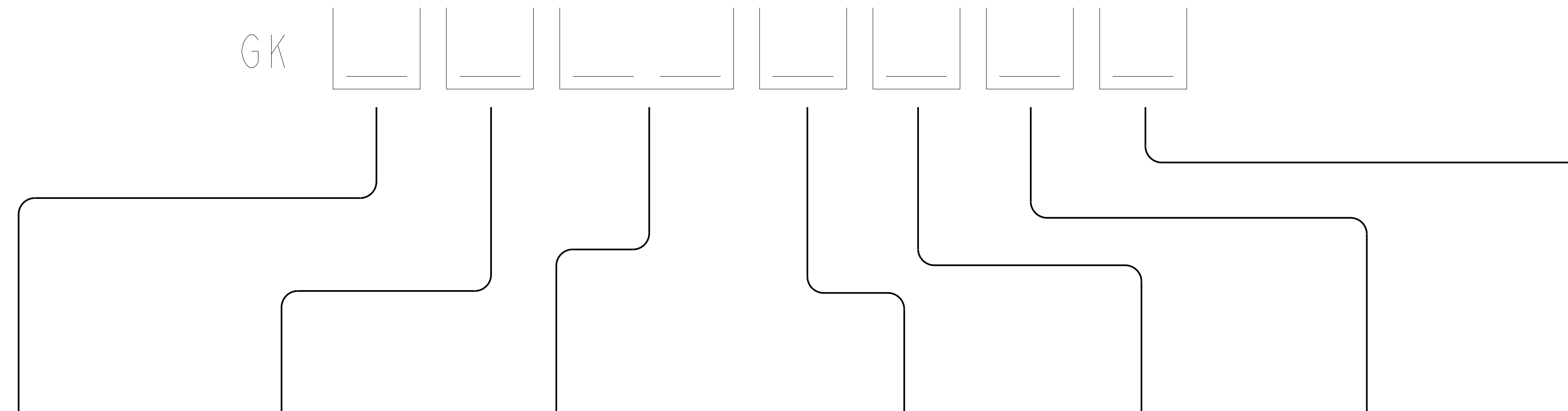


BODY / INDICATOR CODES - F OR G
 TYPE / OVER-RIDE CODES - S OR T
 DIAGRAMS SHOWN WITH KEY INSERTED AND LOCKED

PTC/CAD DRAWN
 RED P5 AUG 99 CHECK JAF 24 AUG 99
 DRAWING NUMBER 14 OF 14
 RELEASE NO. PR-23012
 REPLACES
 ISSUE 9
 REVISIONS
 A 24 AUG 99
 B 20 SEP 99
 C 24 OCT 00
 D 200338
 E 24 NOV 00
 F 24 NOV 00
 G 24 NOV 00
 H 24 NOV 00
 I 24 NOV 00
 J 24 NOV 00
 K 24 NOV 00
 L 24 NOV 00
 M 24 NOV 00
 N 24 NOV 00
 O 24 NOV 00
 P 24 NOV 00
 Q 24 NOV 00
 R 24 NOV 00
 S 24 NOV 00
 T 24 NOV 00
 U 24 NOV 00
 V 24 NOV 00
 W 24 NOV 00
 X 24 NOV 00
 Y 24 NOV 00
 Z 24 NOV 00

THIS DRAWING COVERS A PROPRIETARY ITEM AND IS THE PROPERTY OF MICRO SWITCH, A DIVISION OF HONEYWELL. THIS DRAWING IS NOT TO BE COPIED OR USED WITHOUT THE APPROVAL OF MICRO SWITCH. FED. MFG. CODE 91929 MICRO SWITCH a Honeywell Division		CATALOG LISTING SWITCH - DOOR INTERLOCK GK SERIES CHART 2	THIRD ANGLE PROJECTION SCALE NONE DO NOT SCALE PRINT TOLERANCES APPLY TO DESIGN UNITS. CONCESSIONS ARE ONLY FOR REFERENCE, UNLESS NOTED. TOLERANCES ARE: DIM. UNITS: FRACTIONS DECIMALS NO. PLACES 2 1/16 1/32 1/64 0.01, 0.05 ONE PLACE 2.5 1/16 1/32 1/64 0.50, 0.15 TWO PLACES 0.1 1/16 1/32 1/64 0.15, 0.05 THREE PLACES 0.05 1/16 1/32 1/64 0.15, 0.05 ANGLES 1/16 1/32 1/64 0.15, 0.05 DESIGN UNITS: SI METRIC <input checked="" type="checkbox"/> US CUSTOMARY <input type="checkbox"/> WEIGHT 2.3 kg / 5 LB MAX
--	--	---	---

SOLENOID KEY OPERATED SAFETY INTERLOCK NOMENCLATURE



BODY / INDICATOR		CONDUIT / SEAL		BASIC		HEAD		KEY		TYPE / OVER-RIDE		VOLTAGE	
L	HEAD TO LEFT - WITH INDICATORS	A	1/2 NPT - VITON SEALS	2	2 SNAP ACTION DPDT	A	OPENING TO FRONT WITHOUT DETENT	1	STRAIGHT	A	SOLENOID UNLOCK WITH SCREWDRIVER	1	12 VDC
R	HEAD TO RIGHT - WITH INDICATORS	B	PG 13.5 - VITON SEALS	3	2 SLOW ACTING SPDT BBM	B	OPENING TO RIGHT WITHOUT DETENT	2	90 DEGREE		SLOT OVER-RIDE	2	24 VDC
F	HEAD TO LEFT - WITHOUT INDICATORS	C	20 MM - VITON SEALS	6	SLOW ACTING 2 NC	C	OPENING TO BACK WITHOUT DETENT	3	UP-DOWN	B	SOLENOID UNLOCK WITHOUT OVER-RIDE	3	48 VDC
G	HEAD TO RIGHT - WITHOUT INDICATORS	D	PF 1/2 - VITON SEALS	10	SLOW ACTING 4 NC	D	OPENING TO LEFT WITHOUT DETENT	4	LEFT-RIGHT	C	SAME AS "A" FOR GM ONLY	4	120 VAC
		E	1/2 NPT - BUNA-N SEALS	12	SLOW ACTING 2 NC - 1 NO BBM	E	HEAD WITHOUT DETENT UNASSEMBLED TO BODY	X	NO KEY	S	SOLENOID LOCK WITH SCREWDRIVER	6	240 VAC
		F	PG 13.5 - BUNA-N SEALS	14	SLOW ACTING 2 NC - 2 NO BBM	F	OPENING TO FRONT WITH DETENT			T	SOLENOID LOCK WITHOUT OVER-RIDE		
		G	20 MM - BUNA-N SEALS	16	SLOW ACTING 3 NC - 1 NO BBM	G	OPENING TO RIGHT WITH DETENT						
		H	PF 1/2 - BUNA-N SEALS	30	2 SLOW ACTING 4 NC - GOLD	H	OPENING TO BACK WITH DETENT						
				32	2 SLOW ACTING 2 NC - 1 NO BBM - GOLD	J	OPENING TO LEFT WITH DETENT						
				34	2 SLOW ACTING 2 NC - 2 NO BBM - GOLD	K	HEAD WITH DETENT UNASSEMBLED TO BODY						
				36	2 SLOW ACTING 3 NC - 1 NO BBM - GOLD								
				40	2 SLOW ACTING 4 NC								
				42	2 SLOW ACTING 2 NC - 1 NO BBM								
				44	2 SLOW ACTING 2 NC - 2 NO BBM								
				46	2 SLOW ACTING 3 NC - 1 NO BBM								

NOTES

- ZINC DIECAST BODY AND HEAD WITH STEEL COVER. BODY, HEAD AND COVER FINISHED WITH EPOXY PAINT
- HEAD E AND K IS SHIPPED UNATTACHED AND MAY BE INDEXED IN 90° INCREMENTS. REATTACH WITH SECURITY SCREWS PROVIDED
- THE LEFT INDICATOR IS GREEN AND THE RIGHT INDICATOR IS RED. NOT PRESENT ON BODY/INDICATOR CODES F OR G
- MAXIMUM OPERATING FREQUENCY (F_{max}) = 100 OPS/MIN
- INSERTION FORCE = 20 N MAX
5 LB
EXTRACTION FORCE = 2 N MAX
.5 LB
- HEADS F, G, H, J AND K
INSERTION FORCE = 55 N MAX
12 LB
EXTRACTION FORCE = 35 N MAX
8 LB
MAXIMUM SOLENOID LOCKING FORCE = 1000 N
224 LB
- ROTATE 1/4 TURN CLOCKWISE TO UNLOCK DEVICES WITH HEAD TO LEFT, SOLENOID UNLOCK AND DEVICES WITH HEAD TO RIGHT, SOLENOID LOCK. ROTATE 1/4 TURN COUNTERCLOCKWISE TO UNLOCK DEVICES WITH HEAD TO LEFT, SOLENOID LOCK AND DEVICES WITH HEAD TO RIGHT, SOLENOID UNLOCK. NOT PRESENT ON TYPE/OVER-RIDE CODES B OR T
- SWITCH MUST OPERATE BEFORE REACHING MINIMUM INSERTION DISTANCE
- T-15 TORX DRIVER PROVIDED
- ELECTRICAL RATINGS ARE FOR BASIC SWITCHES
- MINIMUM SOLENOID VOLTAGE = 80% OF NORMAL VOLTAGE
MAXIMUM SOLENOID VOLTAGE = 110% OF NORMAL VOLTAGE
SOLENOID POWER = 12 WATTS NOMINAL
- CONNECTOR IN BOTTOM CONDUIT OPENING. SIDE CONDUIT OPENING PLUGGED
- NO CHANGES CAN BE MADE TO THIS DRAWING WITHOUT JOINT FREEPORT / NEWHOUSE APPROVAL
- ALL DIMENSIONS ON THIS DRAWING SERIES ARE FOR REFERENCE ONLY

ELECTRICAL RATING				ENVIRONMENTAL RATINGS		APPROVALS
AC		DC		IP68 NEMA 1, 4, 6P, 12 & 13		 IEC 947-5-1 EN60947-5-1
A300	AC 15	Q300	DC 13	TEMP RANGE -25°C TO 40°C		
U _e	I _e	U _e	I _e	-13°F TO 104°F		
(VOLTS)	(AMPS)	(VOLTS)	(AMPS)	STORAGE -40°C TO 120°C		
120	6	24	2.9	-40°F TO 248°F		
240	3	125	.55	SHOCK: 50G PER IEC 68-2-27		
		250	.27	VIBRATION: 10G PER IEC 68-2-6		

THIS DRAWING COVERS A PROPRIETARY ITEM AND IS THE PROPERTY OF MICRO SWITCH, A DIVISION OF HONEYWELL. THIS DRAWING IS NOT TO BE COPIED OR USED WITHOUT THE APPROVAL OF MICRO SWITCH.

FED. MFG. CODE 91929 CATALOG LISTING

MICRO SWITCH
a Honeywell Division

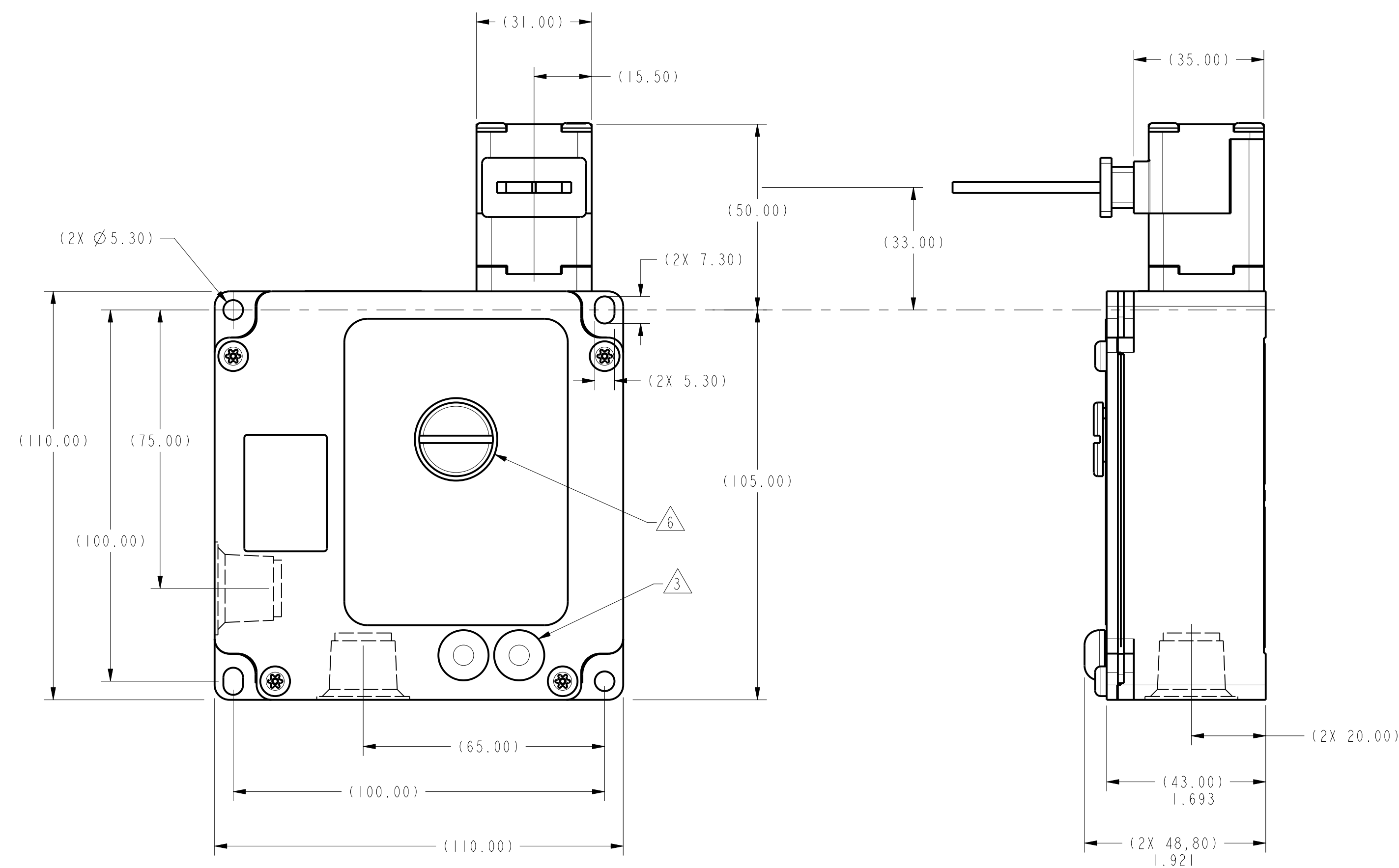
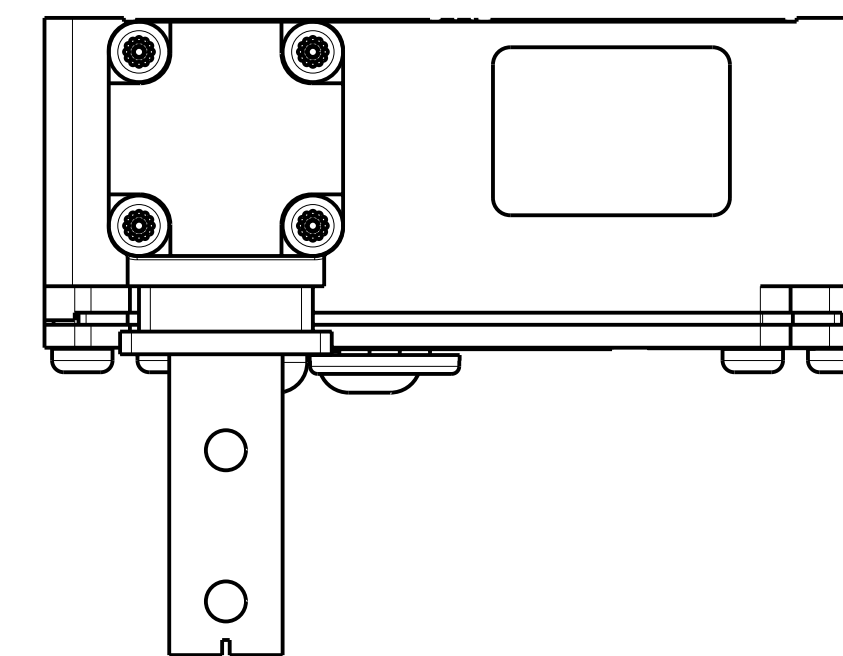
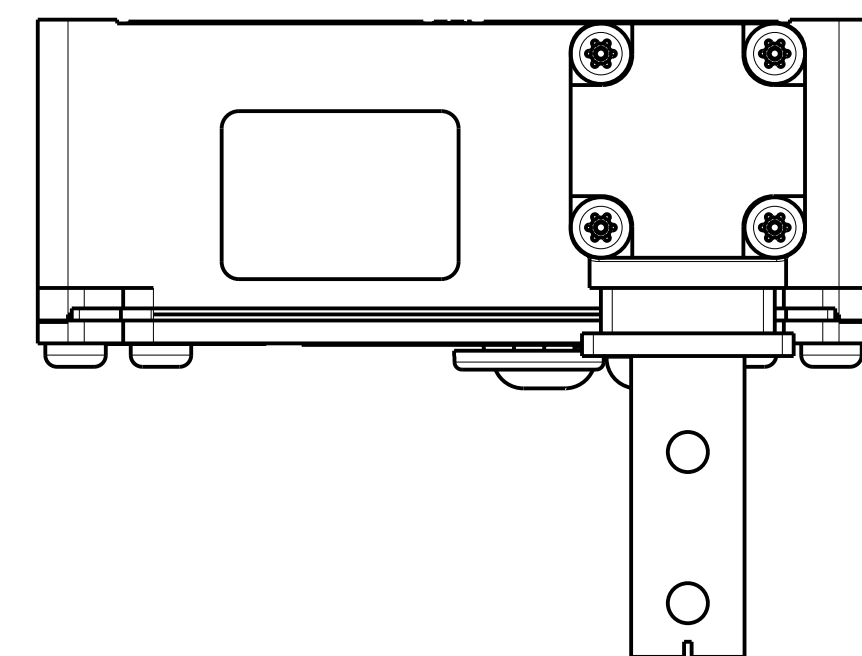
SWITCH - DOOR INTERLOCK

GK SERIES CHART 2

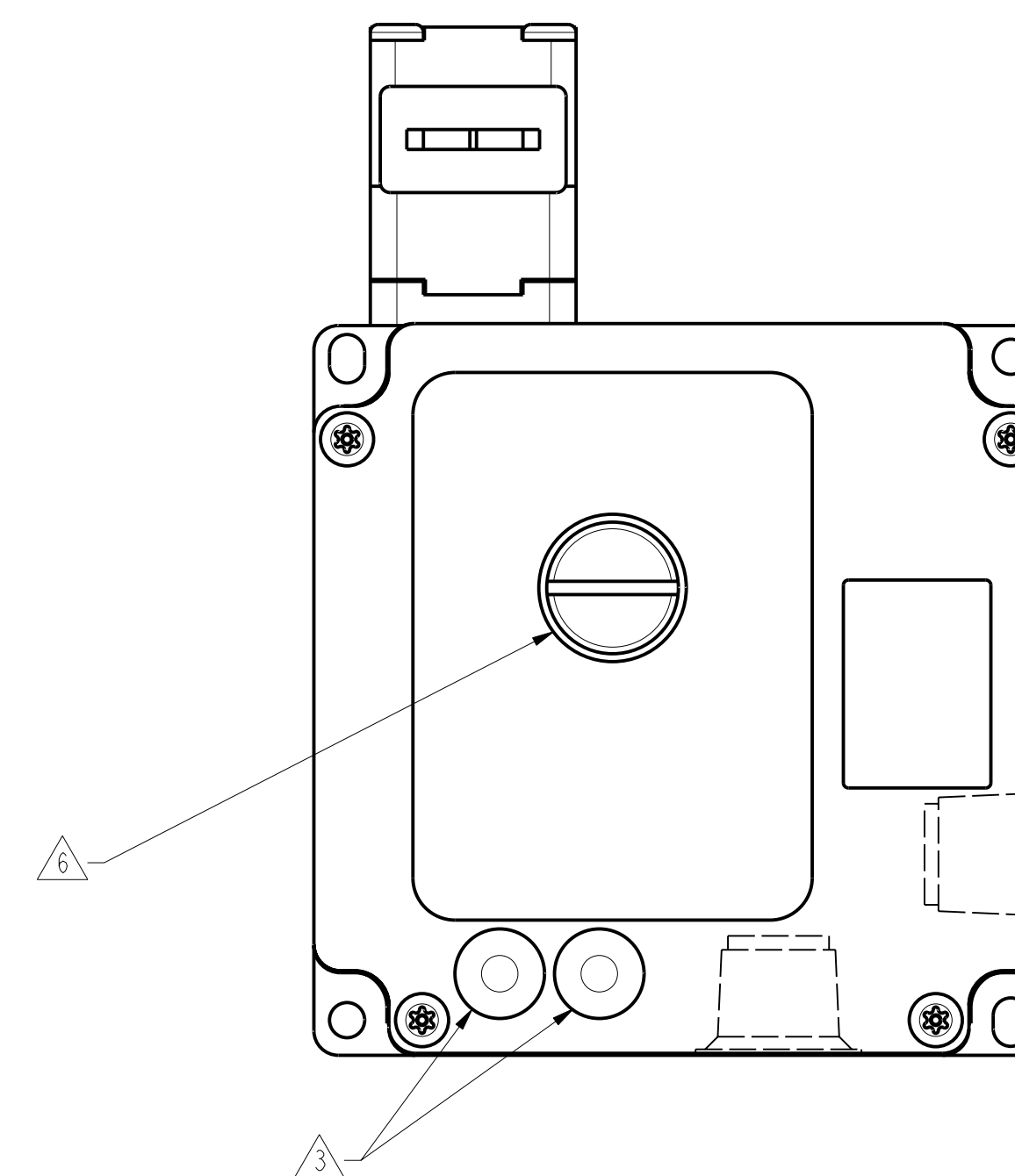
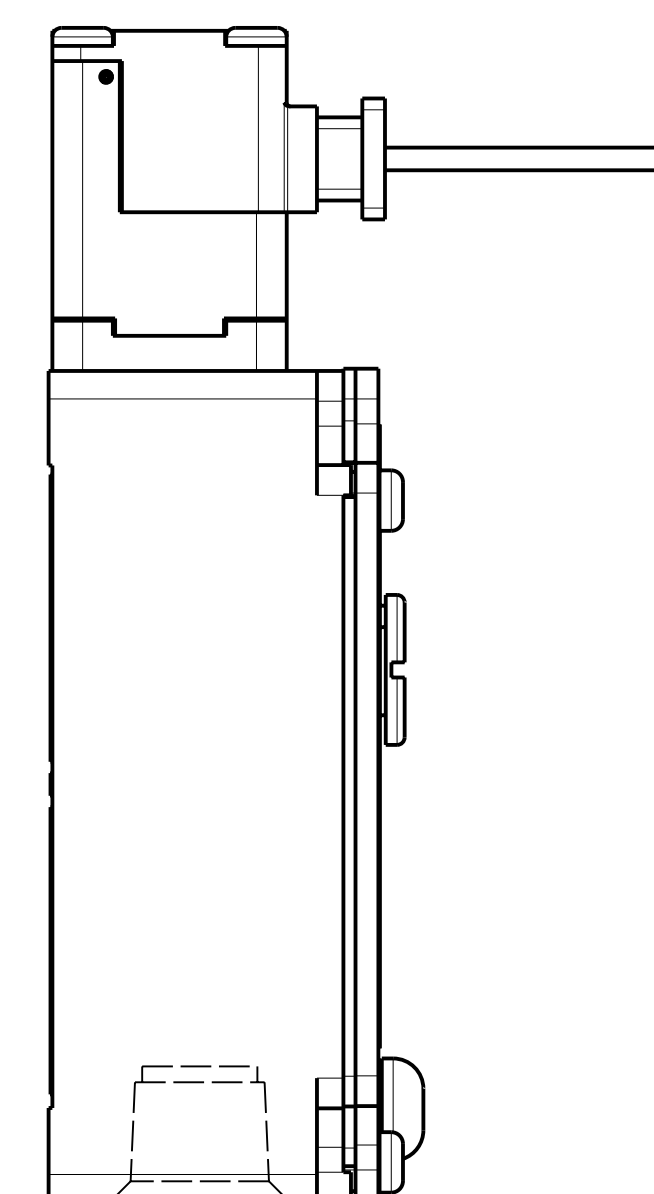
DESIGN UNITS: SI METRIC [X] US CUSTOMARY []

WEIGHT 2.3 kg / 5 LB MAX

DRAWING NUMBER: 12
 ISSUE: 12
 PAGES: 1 OF 14
 RELEASE NO. PR-23012
 CHECKED: JAF 20 OCT 98
 DRAWN: SAJ 20 OCT 98
 PTC/CAD: SAJ 20 OCT 98



BODY / INDICATOR CODES R OR G



BODY / INDICATOR CODES L OR F

PTC/CAD
 DRAWN
 SAV 120 00138
 CHECK
 JAF 120 OCT 98
 CHECK
 12
 ISSUE
 2 OF 14
 RELEASE NO. PR-233745
 REVISIONS
 1
 2/25/95
 18 JUL 92

THIS DRAWING COVERS A PROPRIETARY ITEM AND IS THE PROPERTY OF MICRO SWITCH, A DIVISION OF HONEYWELL. THIS DRAWING IS NOT TO BE COPIED OR USED WITHOUT THE APPROVAL OF MICRO SWITCH.

FED. MFG. CODE 91929

CATALOG LISTING

MICRO SWITCH
 a Honeywell Division

SWITCH - DOOR INTERLOCK

GK SERIES CHART 2

THIRD ANGLE PROJECTION

SCALE FULL

DO NOT SCALE PRINT

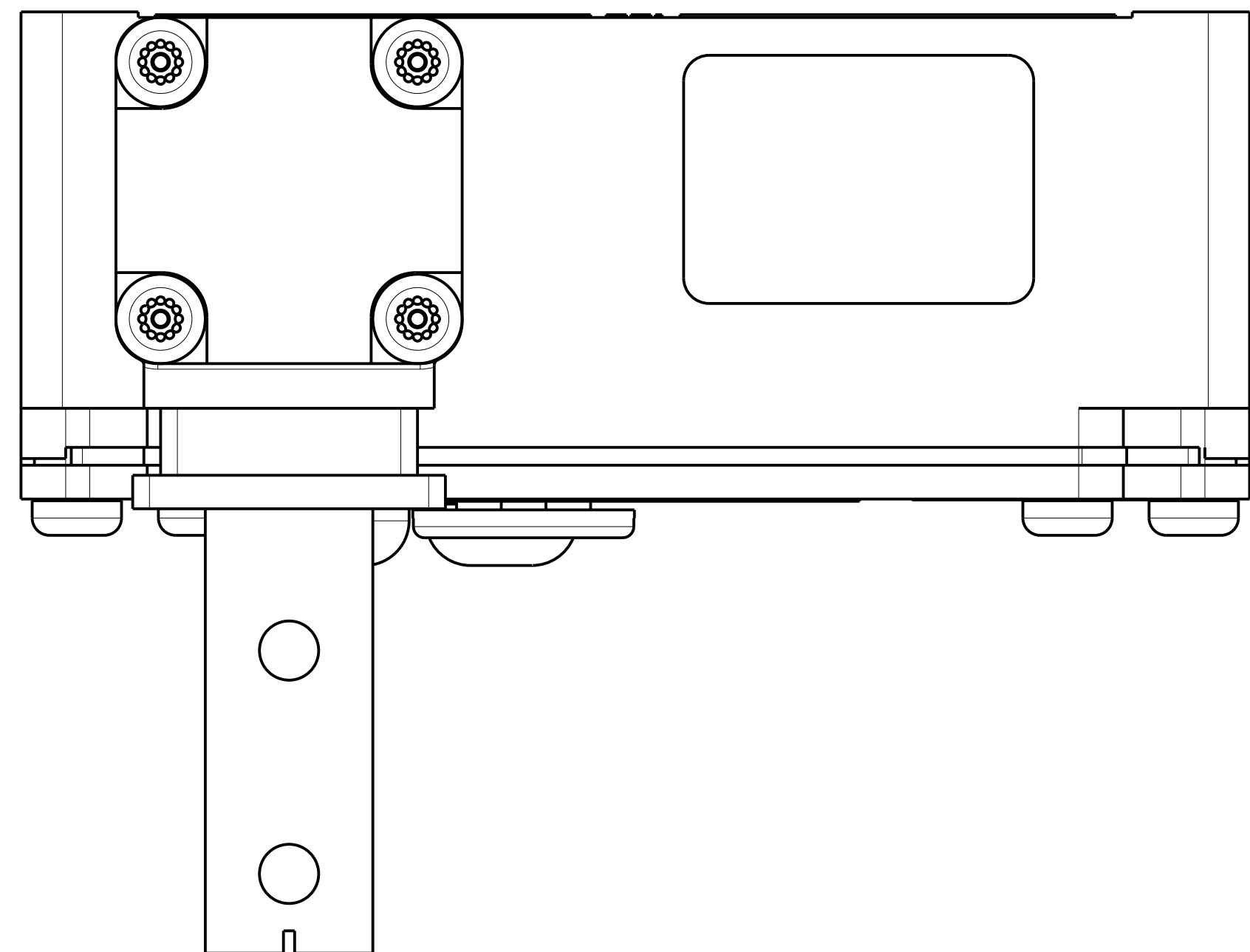
TOLERANCES

APPLY TO DESIGN UNITS. CONVERSIONS ARE ONLY FOR REFERENCE, UNLESS NOTED. TOLERANCES ARE:

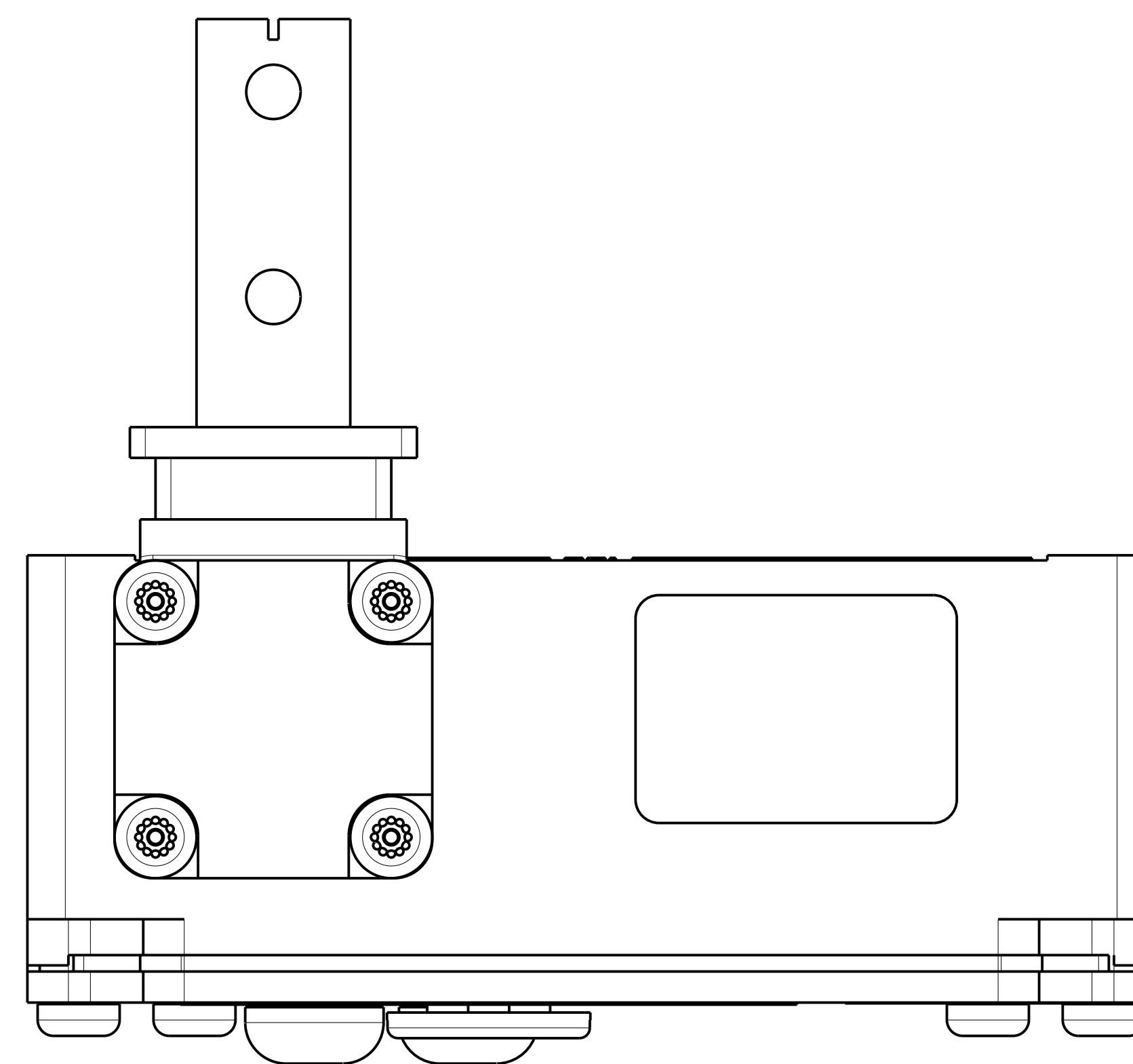
	FR	TO	FR	TO
NO PLACES	0.00	0.04	0.00	0.01
ONE PLACE	0.05	0.09	0.01	0.05
TWO PLACES	0.10	0.14	0.02	0.10
THREE PLACES	0.15	0.19	0.03	0.15
ANGLES	0.10	0.15	0.10	0.15

DESIGN UNITS SI METRIC US CUSTOMARY

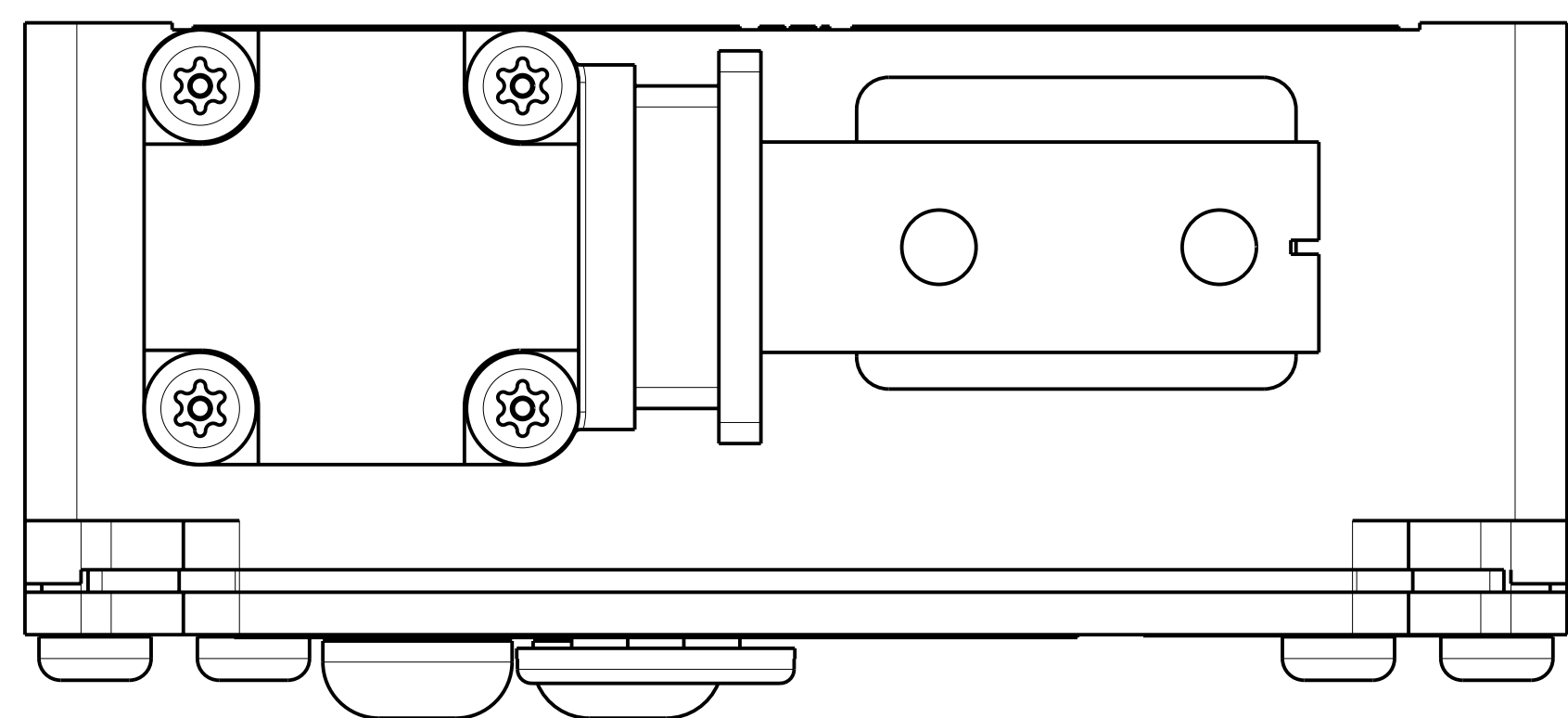
WEIGHT 2.3 kg / 5 LB MAX



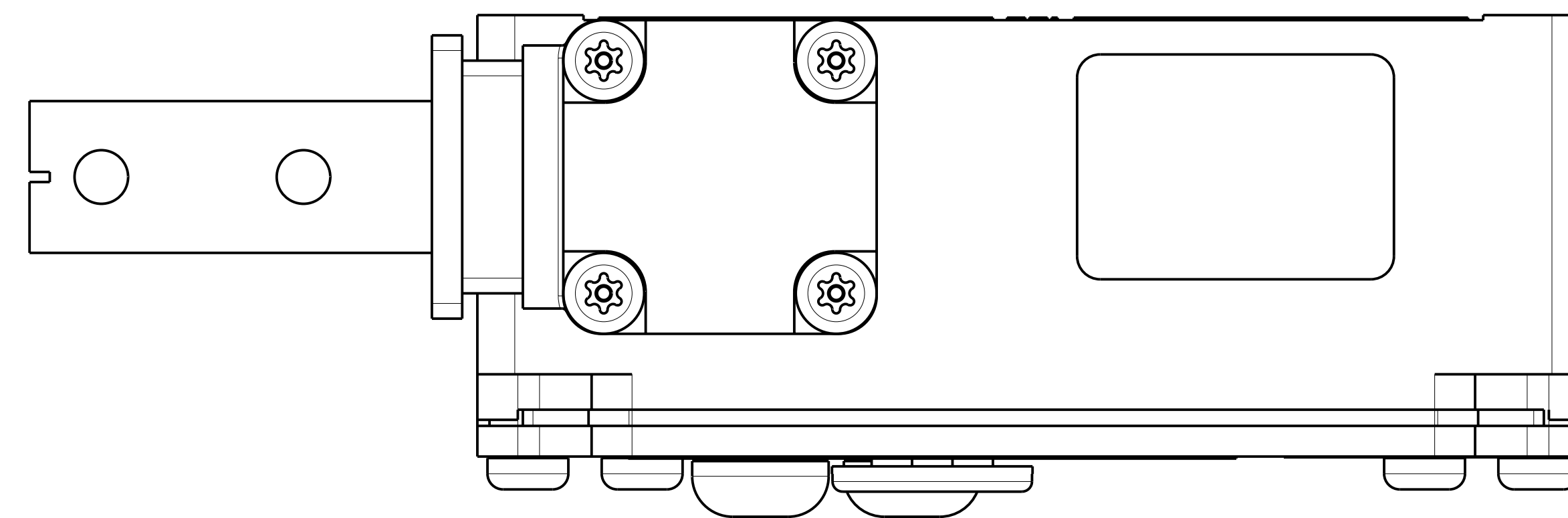
HEAD CODE A OR F



HEAD CODE C OR H



HEAD CODE B OR G



HEAD CODE D OR J

M GK SERIES CHART 2

DRAWING NUMBER 12

ISSUE 12

DRAWN

CHECKED

DATE

BY

DATE

BY

DATE

BY

DATE

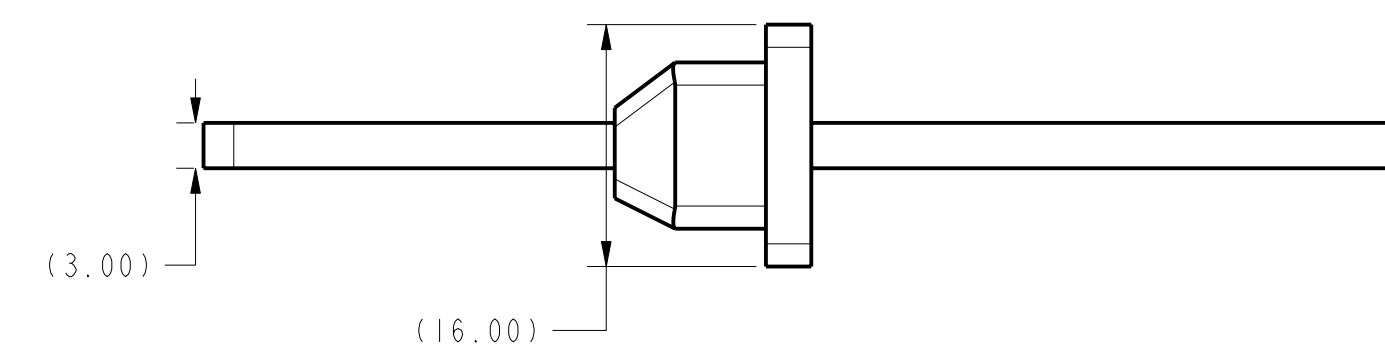
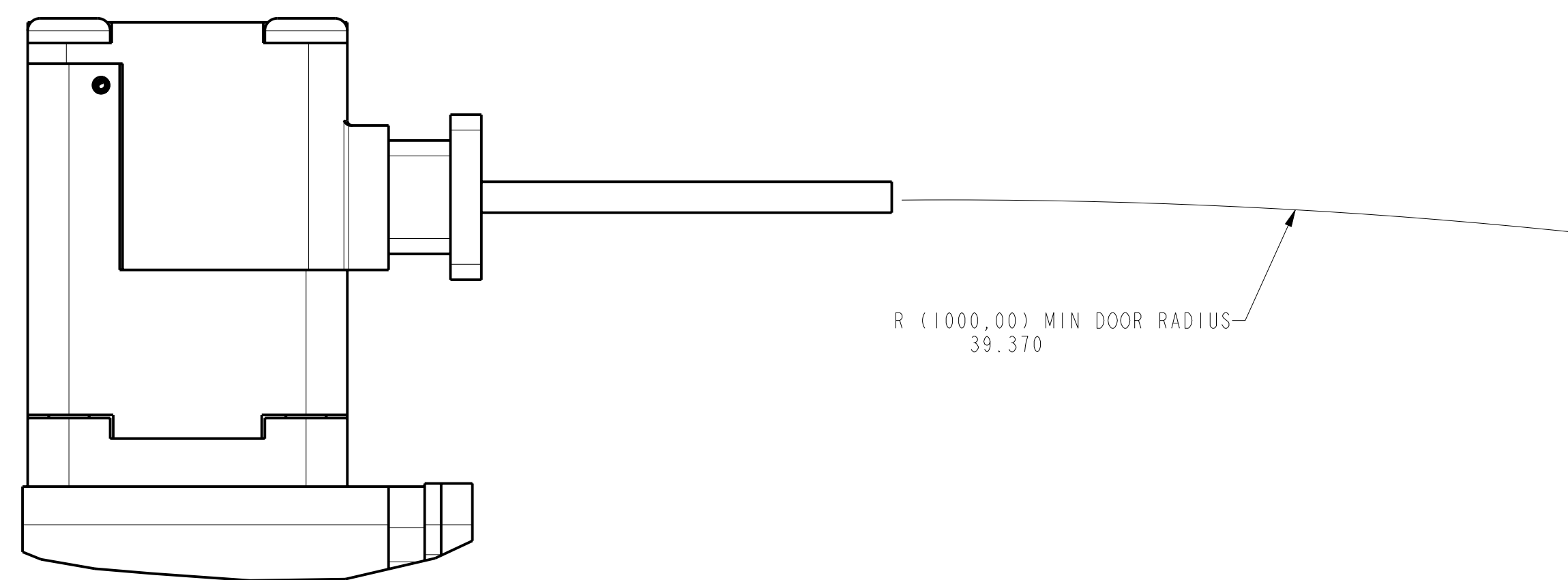
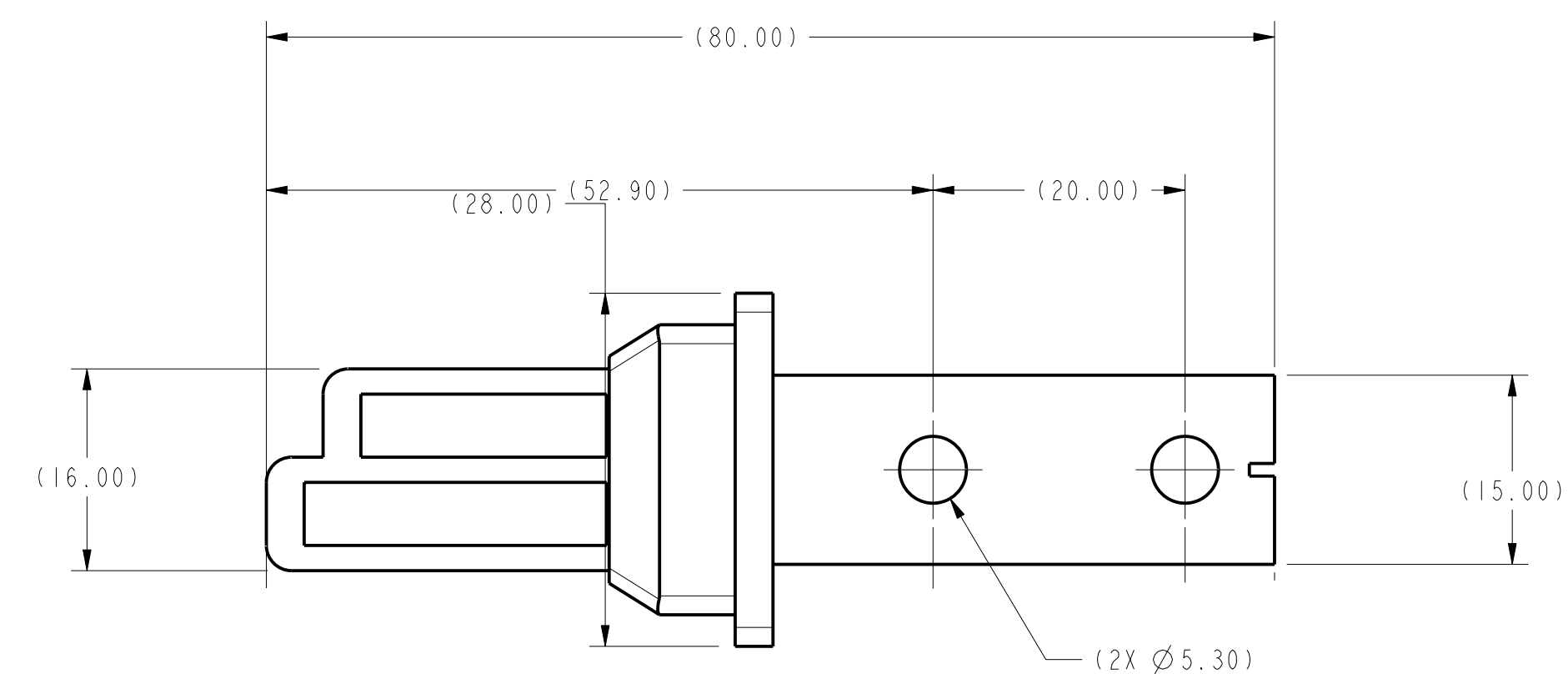
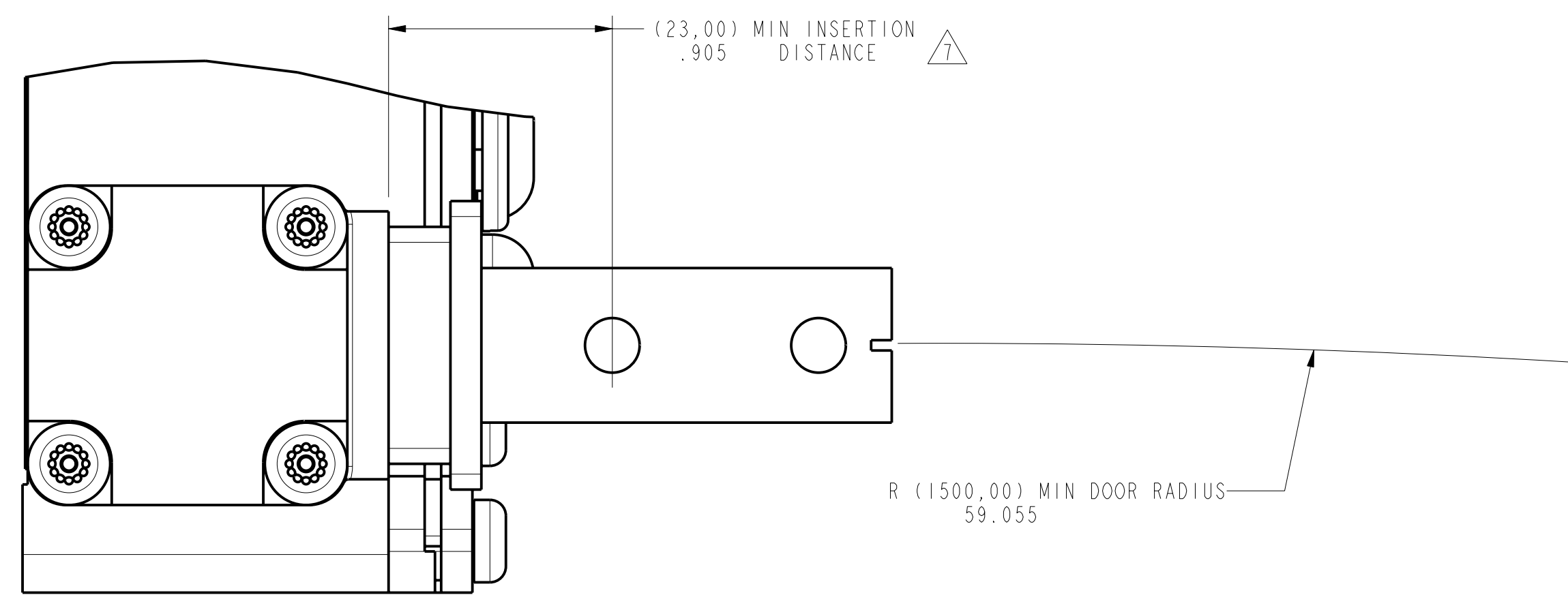
BY

DATE

BY

THIS DRAWING COVERS A PROPRIETARY ITEM AND IS THE PROPERTY OF MICRO SWITCH, A DIVISION OF HONEYWELL. THIS DRAWING IS NOT TO BE COPIED OR USED WITHOUT THE APPROVAL OF MICRO SWITCH.
 FED. MFG. CODE 91929
MICRO SWITCH
 a Honeywell Division
 SWITCH - DOOR INTERLOCK
 CATALOG LISTING
GK SERIES CHART 2

THIRD ANGLE PROJECTION			
DO NOT SCALE PRINT			
TOLERANCES			
APPLY TO DESIGN UNITS. CONVERSIONS ARE ONLY FOR REFERENCE. UNLESS NOTED, TOLERANCES ARE:			
NO PLACES	2	0.00	0.00
ONE PLACE	0.1	0.00	0.00
TWO PLACES	0.01	0.00	0.00
THREE PLACES	0.001	0.00	0.00
ANGLES			
DESIGN UNITS	<input checked="" type="checkbox"/> SI METRIC	<input type="checkbox"/> US CUSTOMARY	
WEIGHT 2.3 kg / 5 LB MAX			



KEY CODE 1

M GK SERIES CHART 2

12

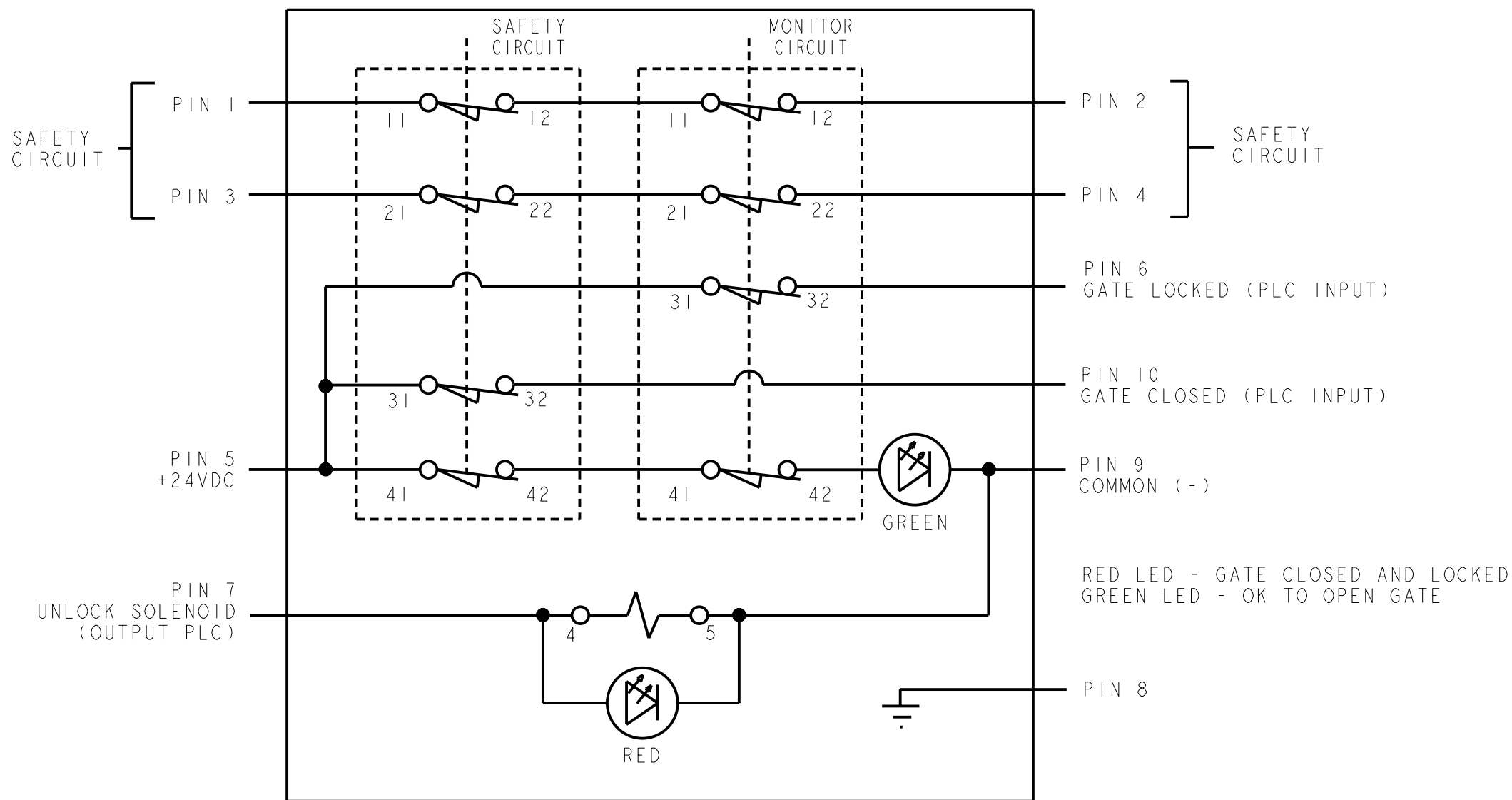
PTC/CAD
DRAWN
SAV 20.09.98
CHECK
JAF 20.09.98
REV
DATE
BY
REASON

THIS DRAWING COVERS A PROPRIETARY ITEM AND IS THE PROPERTY OF MICRO SWITCH, A DIVISION OF HONEYWELL. THIS DRAWING IS NOT TO BE COPIED OR USED WITHOUT THE APPROVAL OF MICRO SWITCH.		FEDERAL MFG. CODE 91929	
MICRO SWITCH a Honeywell Division		CATALOG LISTING	
SWITCH - DOOR INTERLOCK		GK SERIES CHART 2	
DESIGN UNITS <input checked="" type="checkbox"/> SI METRIC <input type="checkbox"/> US CUSTOMARY		WEIGHT 2,3 kg / 5 LB MAX	

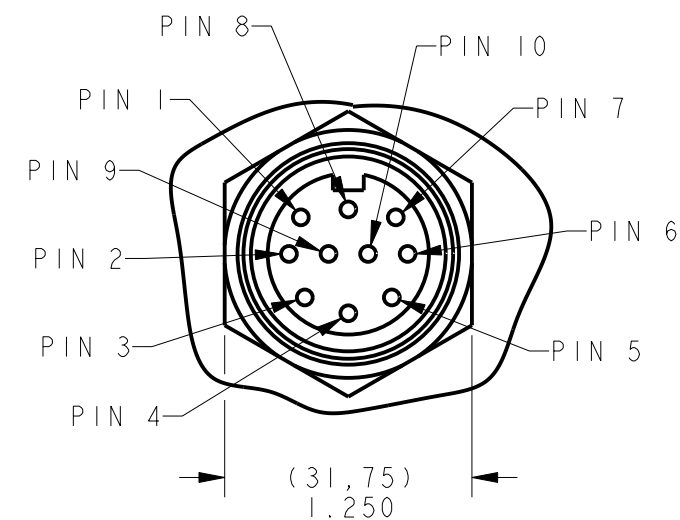
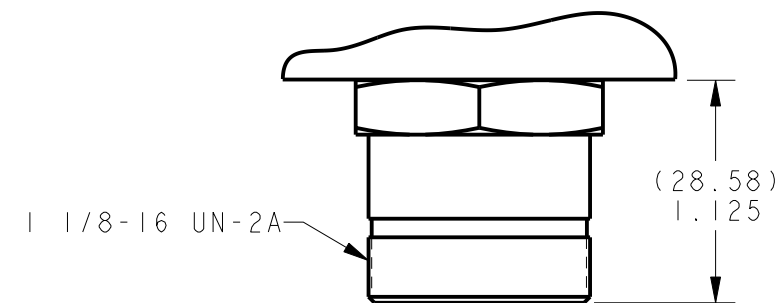
THIRD ANGLE PROJECTION			
SCALE 2 : 1			
DO NOT SCALE PRINT			
TOLERANCES			
APPLY TO DESIGN UNITS. CONVERSIONS ARE ONLY FOR REFERENCE. UNLESS NOTED, TOLERANCES ARE:			
NO PLACES	2	0.01	0.01
ONE PLACE	0.1	0.02	0.02
TWO PLACES	0.01	0.03	0.03
THREE PLACES	0.001	0.04	0.04
ANGLES		0.1	0.1

MODIFICATION CODE: F05

CATALOG LISTING **GK SERIES CHART 2** PAGE 10 OF 14
 ISSUE **12**
 REVISIONS
 A 205975
 RED 18 JUL 02
 DRAWN PTC/CAD 2D
 KED 24 AUG 99
 CHECK JAF 24 AUG 99
 CHECK JAF 24 AUG 99
 REPLACES RELEASE NO. CO-93702

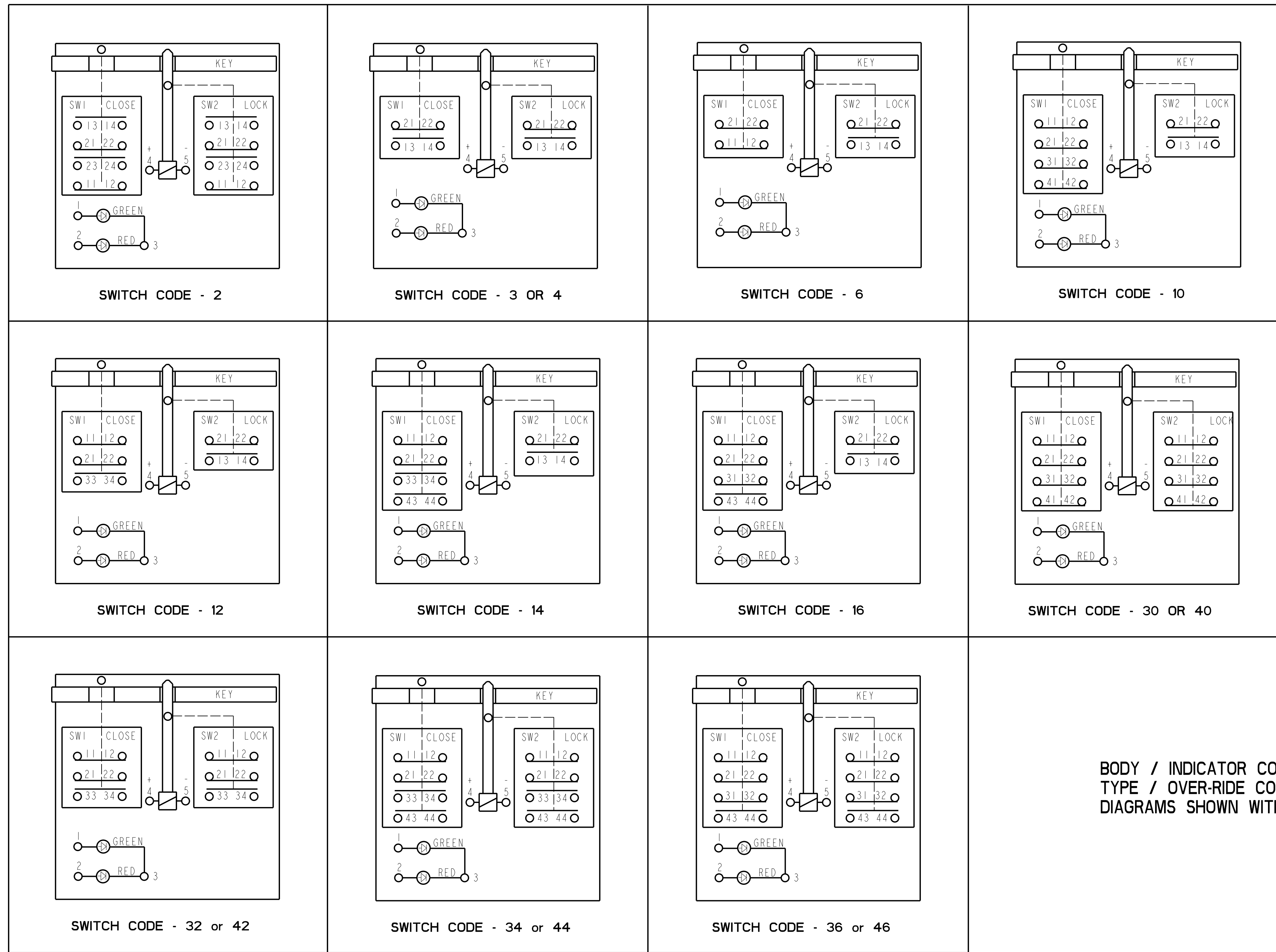


SWITCH DIAGRAM STATE IS CLOSED AND LOCKED



300V 7A
BRAD-HARRISON PART NO. 3R1006A21F010
OR EQUIVALENT

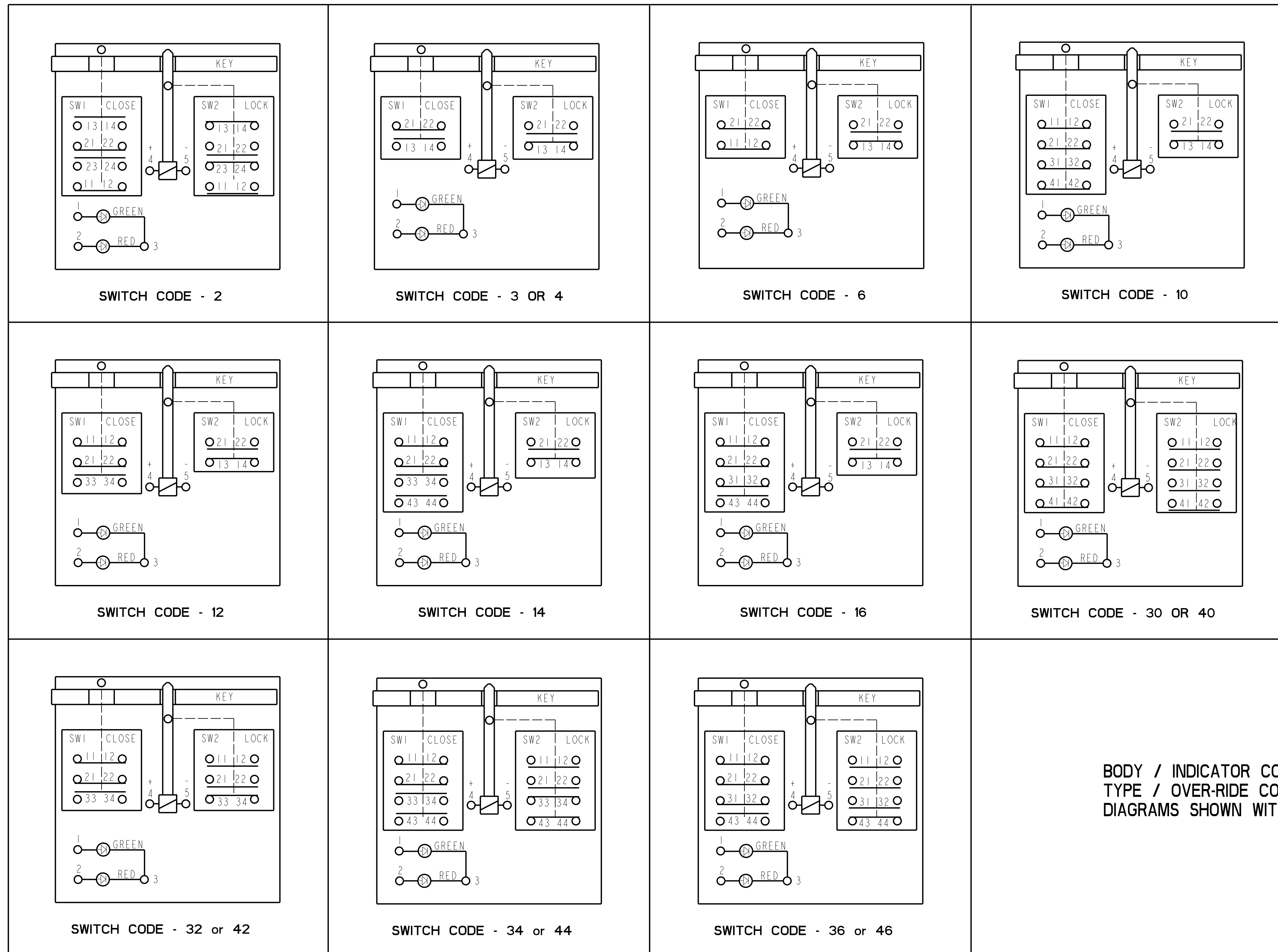
THIRD ANGLE PROJECTION			
SCALE NONE			
DO NOT SCALE PRINT			
TOLERANCES			
APPLY TO DESIGN UNITS. CONVERSIONS ARE ONLY FOR REFERENCE. UNLESS NOTED, TOLERANCES ARE:			
DIM.	TOL.	DIM.	TOL.
mm	mm/in	in	mm/in
NO PLACES	X	1/04	X.X 0.8/03
ONE PLACE	X.X	1/016	X.XX 0.38/015
TWO PLACES	X.XX	0.15/006	X.XXX 0.13/005
THREE PLACES	X.XXX		
ANGLES			
SI METRIC		US CUSTOMARY	
DESIGN UNITS	<input checked="" type="checkbox"/>	<input type="checkbox"/>	
WEIGHT 2,3 kg / 5 LB MAX			



BODY / INDICATOR CODES - L OR R
 TYPE / OVER-RIDE CODES - A OR B
 DIAGRAMS SHOWN WITH KEY INSERTED AND LOCKED

DRAWING NUMBER: 12
 ISSUE: 12
 PTC/CAD
 DRAWN: SAJ
 CHECK: JAF
 DATE: 20 OCT 98
 RELEASE NO. CO-93702
 REVISIONS:
 1 2/29/95
 2 10/11/97

THIS DRAWING COVERS A PROPRIETARY ITEM AND IS THE PROPERTY OF MICRO SWITCH, A DIVISION OF HONEYWELL. THIS DRAWING IS NOT TO BE COPIED OR USED WITHOUT THE APPROVAL OF MICRO SWITCH. FED. MFG. CODE 91929		CATALOG LISTING	
MICRO SWITCH a Honeywell Division		SWITCH - DOOR INTERLOCK GK SERIES CHART 2	
DESIGN UNITS: <input checked="" type="checkbox"/> SI METRIC <input type="checkbox"/> US CUSTOMARY		TOLERANCES: APPLY TO DESIGN UNITS. CONVERSIONS ARE ONLY FOR REFERENCE, UNLESS NOTED. TOLERANCES ARE: DIM. TOL. DIM. TOL. NO. PLACES ± NO. PLACES ± ONE PLACES 0.15 ONE PLACES 0.15 TWO PLACES 0.05 TWO PLACES 0.05 THREE PLACES 0.02 THREE PLACES 0.02 ANGLES ± ANGLES ± 1° 0.15' 1° 0.15'	
WEIGHT 2.3 kg / 5 LB MAX		THIRD ANGLE PROJECTION SCALE: FULL DO NOT SCALE PRINT	



BODY / INDICATOR CODES - L OR R
 TYPE / OVER-RIDE CODES - S OR T
 DIAGRAMS SHOWN WITH KEY INSERTED AND LOCKED

PTC/CAD
 DRAWN
 SAV 20 OCT 98
 CHECK
 JAF 20 OCT 98
 CHECK
 RELEASE NO. CO-93702
 13 OF 14
 GK SERIES CHART 2
 ISSUE 12

THIS DRAWING COVERS A PROPRIETARY ITEM AND IS THE PROPERTY OF MICRO SWITCH, A DIVISION OF HONEYWELL. THIS DRAWING IS NOT TO BE COPIED OR USED WITHOUT THE APPROVAL OF MICRO SWITCH.		FEDERAL MFG. CODE 91929		CATALOG LISTING	
MICRO SWITCH a Honeywell Division		SWITCH - DOOR INTERLOCK		GK SERIES CHART 2	
DESIGN UNITS <input checked="" type="checkbox"/> SI METRIC <input type="checkbox"/> US CUSTOMARY		WEIGHT 2.3 kg / 5 LB MAX		THIRD ANGLE PROJECTION SCALE NONE DO NOT SCALE PRINT TOLERANCES APPLY TO DESIGN UNITS. CONVERSIONS ARE ONLY FOR REFERENCE, UNLESS NOTED. TOLERANCES ARE:	
NO PLACES	ONE PLACE	TWO PLACES	THREE PLACES	SI METRIC	US CUSTOMARY
±0.01	±0.02	±0.04	±0.075	±0.01	±0.01
±0.05	±0.10	±0.15	±0.25	±0.05	±0.05
±0.10	±0.20	±0.30	±0.50	±0.10	±0.10

