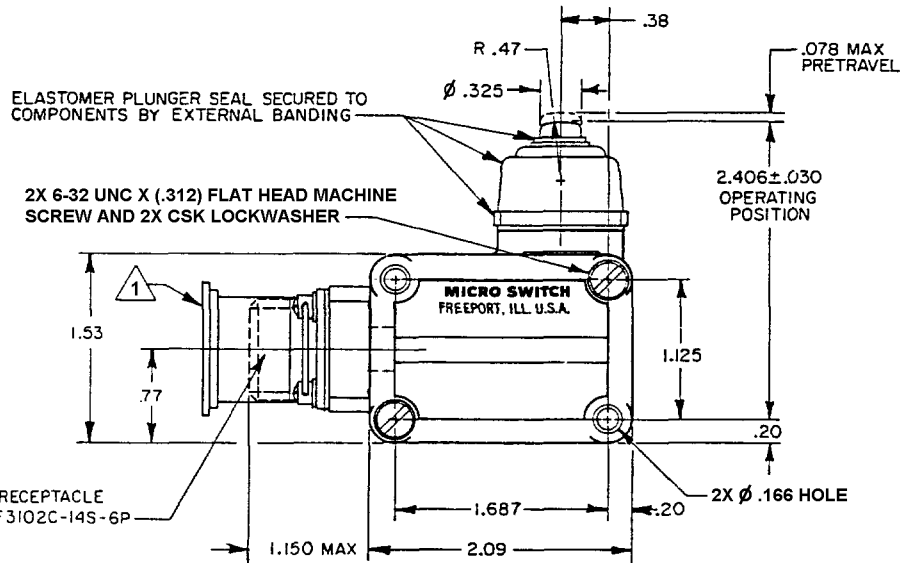
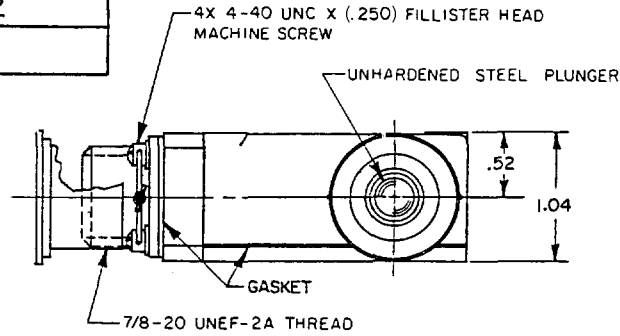
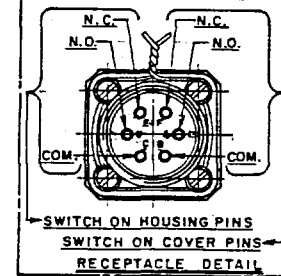


MICRO SWITCH
 FREEPORT, ILLINOIS, U.S.A.
 A DIVISION OF HONEYWELL
 FED. MFG. CODE 91929

SWITCH-ENCLOSED

CATALOG LISTING
2VB2



ANSI Y14.5M-1982 APPLIES

THIS DRAWING COVERS A PROPRIETARY ITEM AND IS THE PROPERTY OF MICRO SWITCH, A DIVISION OF HONEYWELL. THIS DRAWING IS NOT TO BE COPIED OR USED WITHOUT THE APPROVAL OF MICRO SWITCH.

CHARACTERISTICS	ELECTRICAL DATA
OPERATING FORCE ----- 5 LB MAX	CONTACT ARRANGEMENT 2X SPDT
RELEASE FORCE ----- 0.5 LB MIN	15A 1/2 HP 125, 250 VAC
DIFFERENTIAL TRAVEL ----- .031 MAX	1/2A 125 VDC, 1/4A 250 VDC
OVERTRAVEL ----- .250 MIN	

SCALE FULL
DO NOT SCALE PRINT
UNLESS OTHERWISE SPECIFIED TOLERANCES ARE
ONE PLACE (.0) ± .030
TWO PLACE (.00) ± .015
THREE PLACE (.000) ± .005
ANGLES ± 2°
WEIGHT

NOTES

- 1 - FURNISHED WITH SNUG FITTING PLASTIC PROTECTIVE DUST CAP
- 2 - ALUMINUM ENCLOSURE ZINC PHOSPHATE COATED AND FINISHED WITH ONE COAT PRIMER
- 3 - SWITCHES DO NOT OPERATE SIMULTANEOUSLY
- 4 - SWITCH WILL PERFORM SATISFACTORILY IN TEMPERATURES TO MINUS 65°F

CATALOG LISTING
2VB2
 PAGE 1 OF 1
 RELEASE NO. SR-327-1
 REPLACES

ISSUE
 X 17

REVISIONS

A	CO55087	KJS	14 JUN 84
B	CO58411	CJM	NOV 85
C	CO63567	WJM	MAY 88
D	CO74590	YSM	22 MAR 93
E	201300	CSJ	27 SEP 00
F	204698	JAH	11 DEC 01

DRAWN
 KJS 14 JUN 84

CHECK
 EC 28 JUN 84