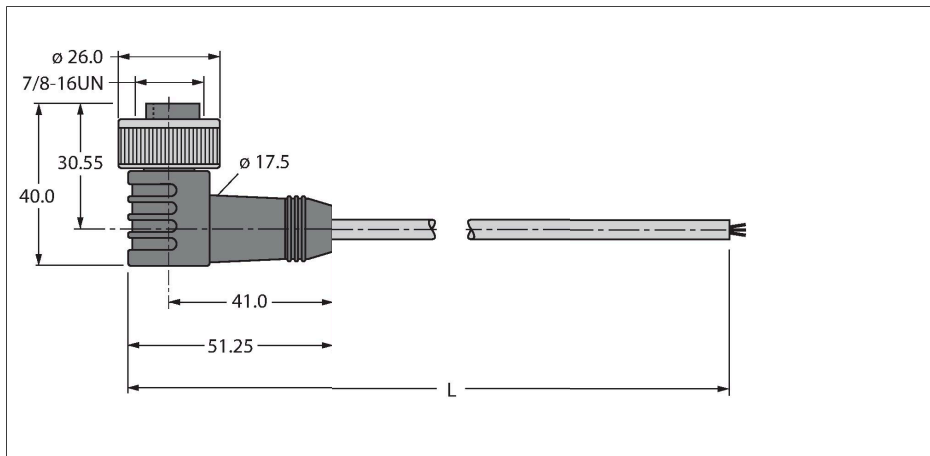


WKM 30-2M

– Connection Cable



Features

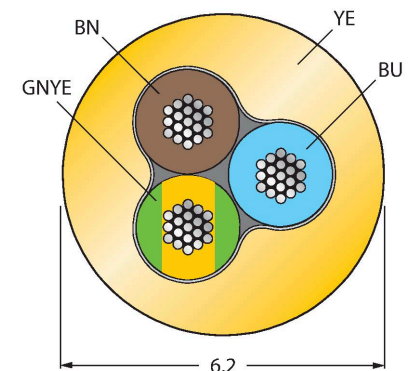


- Power cable: 3 x 0.83 mm², 3 x 18 AWG
- Jacket material: PVC
- Jacket color: yellow
- Jacket diameter: 6.2 mm
- UV-resistant
- Flame-retardant acc. to CSA FT4
- UL, CSA approval
- RoHS-compliant
- Protection class: NEMA 1, 3, 4, 6P and IEC IP67
- Open end
- 7/8" female, angled
- Cable length: 2.0 m

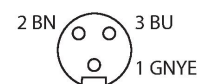
Technical data

Type	WKM 30-2M
Ident. no.	U2310-01
Connector A	Female, 7/8", Angled
Number of pins	2+PE
Contacts	Metal, CuZn, Gold-plated
Contact carriers	Plastic, TPU, Yellow
Connector body	Plastic, TPU, Yellow
Coupling nut/screw	Brass, CuZn, Nickel-plated
Mechanical lifespan	> 100 Mating cycles
Pollution degree	3
Protection class	IP67, Only in screwed condition
Cable	
Cable diameter	Ø 6.2 mm ± 0.20
Cable length	2 m
Cable jacket	PVC, Yellow
Core insulation	PVC
Core cross-section	3 x 0.83 mm ²
Arrangement of strands	19 x 0.25 mm
Core colors	BN, BU, GNYE
Electrical properties at +20 °C	
Rated voltage	600 V
Current	9 A
Mechanical and chemical properties	
Bending radius (stationary installation)	≥ 5 x Ø
Bending radius (flexible use)	≥ 10 x Ø
Stationary	-40 °C...+105 °C

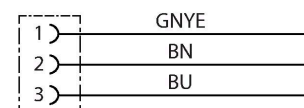
Cable Cross-Section



Contact assignment



Diagram



Technical data

Other Features

UV resistance	yes
---------------	-----

Flame-retardant	yes
-----------------	-----