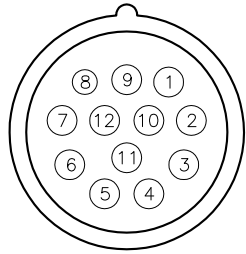
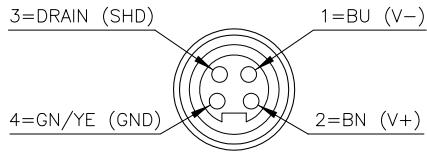


CS12 PIN-OUT (P1)

FEMALE PIN-OUT (J1-J4)

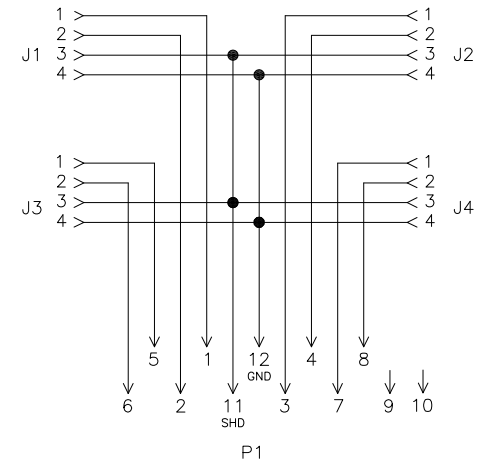
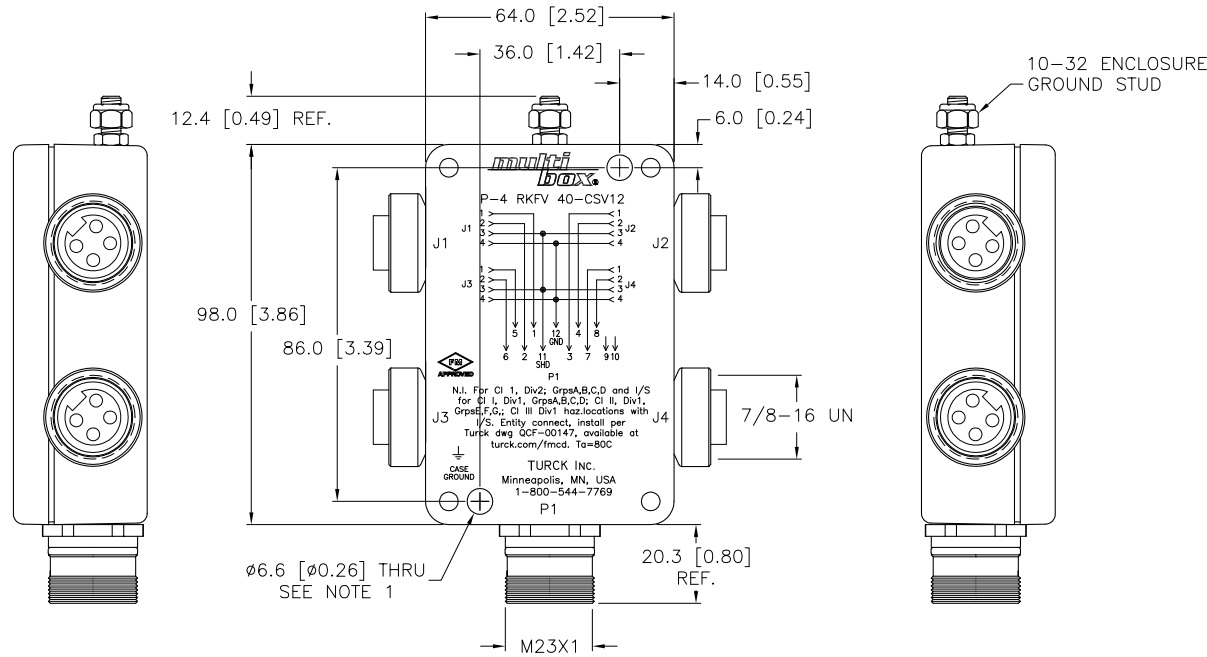


- 1 = PORT 1-1
- 2 = PORT 1-2
- 3 = PORT 2-1
- 4 = PORT 2-2
- 5 = PORT 3-1
- 6 = PORT 3-2
- 7 = PORT 4-1
- 8 = PORT 4-2
- 9 = N/C
- 10 = N/C
- 11 = SHIELD
- 12 = GROUND

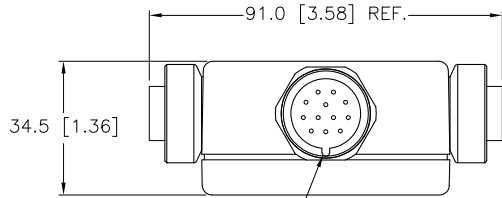


SPECIFICATIONS

HOUSING MATERIAL	DIE-CAST ALUMINUM ALLOY
HOUSING FINISH/COLOR	POWDER COAT/BLACK
RECEPTACLE HOUSINGS	STAINLESS STEEL/PASSIVATED
CONTACT CARRIERS/COLOR (J1-J4)	TPU/BLACK
CONTACT CARRIER/COLOR (P1)	NYLON or PBT/WHITE
CONTACTS	GOLD-PLATED BRASS
OPERATING VOLTAGE	250 VAC/300 VDC
OPERATING CURRENT	4.0 AMPS PER PORT, 8.0 AMPS TOTAL
PROTECTION CLASS to DIN 40050	IP 67 - ONLY WHEN ALL RECEPTACLES ARE COVERED WITH PLUGS OR CONNECTED
OPERATING TEMPERATURE	-50°C to +105°C (-58°F to +221°F)



WIRING DIAGRAM



KEYWAY CAN BE AT ANY POSITON

NOTES:

- 1. CLEARANCE HOLE FOR 1/4-20 MOUNTING SCREWS (2 NOT INCLUDED).

SOURCE DRAWING - FOR REFERENCE ONLY

RELATED DOCUMENTS 1. 2. 3. 4.	3RD ANGLE PROJECTION 	THIS DRAWING IS CONFIDENTIAL AND THE PROPERTY OF TURCK INC. USE OF THIS DOCUMENT WITHOUT WRITTEN PERMISSION IS PROHIBITED.		3000 CAMPUS DRIVE MINNEAPOLIS, MN 55441 1-800-544-7769 (763) 553-7300 (763) 553-0708 fax turck.com	
		DRFT DD	DATE 12/11/03	DESCRIPTION P-4 RKFV 40-CSV12	
MATERIAL SEE SPECIFICATIONS	ALL DIMENSIONS DISPLAYED ON THIS DRAWING ARE FOR REFERENCE ONLY	DSGN	SCALE 1=2.0	IDENTIFICATION NO. U0945-31	
FINISH SEE SPECIFICATIONS		UNIT OF MEASUREMENT MILLIMETER [INCH]		REV E	FILE: U0945-31
CONTACT TURCK FOR MORE INFORMATION		DO NOT SCALE THIS DRAWING		SHEET 1 OF 1	

E	DRAWING PROCESSED AS PART OF ECO 33971	CBM	04/07/11	33971
REV	DESCRIPTION	BY	DATE	ECO NO.