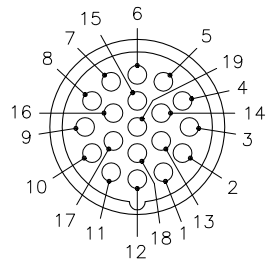
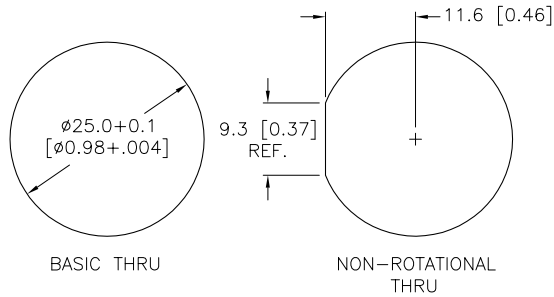


FEMALE END VIEW



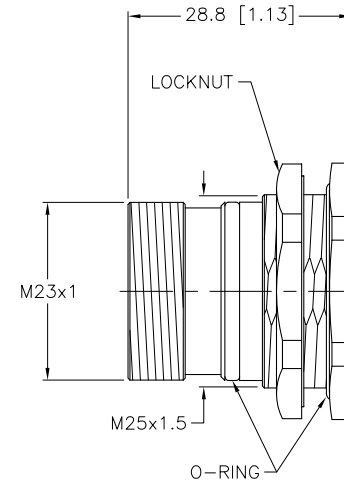
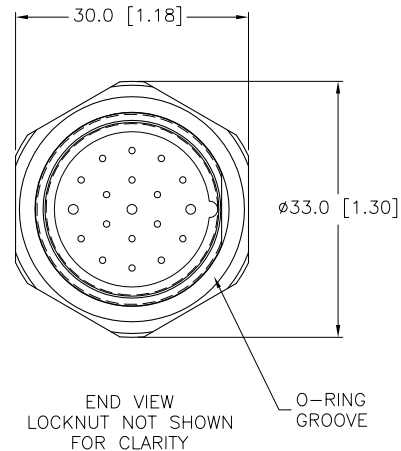
M23 connector

PANEL CUTOUT (TYPICAL)



SPECIFICATIONS

CONTACT CARRIER MATERIAL/COLOR	NYLON OR TPU
CONTACT MATERIAL/PLATING	BRASS/GOLD
HOUSING/LOCKNUT MATERIAL/PLATING	BRASS/NICKEL
SEALING RING	BUNA N OR FLUOR RUBBER
RATED CURRENT [A]	3.0 A
RATED VOLTAGE [V]	150 V
TERMINATION METHOD	SOLDER LUG
MAXIMUM CONDUCTOR SIZE [AWG]	17 AWG
TEMPERATURE RANGE	-40°C to +105°C (-40°F to +221°F)
PROTECTION CLASS	MEETS IP65
MAXIMUM WALL THICKNESS	MAXIMUM IS 6.5 [0.25]



**NOTE  
PRELIMINARY  
SPECIFICATIONS**

**SOURCE DRAWING - FOR REFERENCE ONLY**

NOTE:

- CONTACT HOLDER ASSEMBLED AND UV CURED INTO HOUSING.

RELATED DOCUMENTS		3RD ANGLE PROJECTION		THIS DRAWING IS CONFIDENTIAL AND THE PROPERTY OF TURCK INC. USE OF THIS DOCUMENT WITHOUT WRITTEN PERMISSION IS PROHIBITED.		 3000 CAMPUS DRIVE MINNEAPOLIS, MN 55441 1-800-544-7769 (763) 553-7300 (763) 553-0708 fax turck.com	
1. 2. 3. 4.				DRFT TR		DATE 09/26/11	
MATERIAL		ALL DIMENSIONS DISPLAYED ON THIS DRAWING ARE FOR REFERENCE ONLY		APVD		SCALE 1=1.0	
SEE SPECIFICATIONS		CONTACT TURCK FOR MORE INFORMATION		UNIT OF MEASUREMENT		DESCRIPTION	
FINISH		MILLIMETER [ INCH ]		IDENTIFICATION NO.		REV	
SEE SPECIFICATIONS		DO NOT SCALE THIS DRAWING		U4800		P2	
P2		TR		FILE: U4800		SHEET 1 OF 1	
REV		DESCRIPTION		BY		DATE	