

MICRO SWITCH™ Magnetically Held Toggle Switches, ET Series

Table 1. Specifications

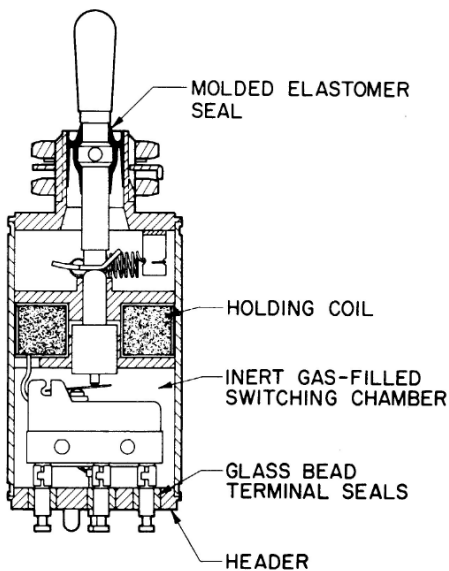
| Characteristic | Parameter |
|--------------------------------|---|
| Description | Military-grade toggle switch with magnetic “hold” capabilities |
| Sealing | Sealed to SAE AS55941 specifications |
| Operating temperature | -65 °C to 71 °C [-85 °F to 160 °F] |
| Lever actuator styles (metal) | Standard lever, tab lever, pull-to-unlock lever, push-to-unlock lever |
| Lever/switch action | 2 or 3 positions; maintained or mechanical momentary with electrically maintained (solenoid energized) feature |
| Mounting | Ø 15/32 in [Ø 0.47 in] |
| Circuitry | 1PDT, 2PDT, 4PST, 4PDT |
| Termination | Leadwire, solder, screw |
| Contact material | Fine silver |
| Electrical rating @ 28 Vdc | Up to 7 A (refer to Table 2, Electrical Ratings) |
| Approvals | Most catalog listings qualified to SAE AS55941 |
| Dimensions with standard lever | 90,6 mm H (with screw termination) x Ø 25,4 mm [3.57 in H x Ø 1.00 in]; Refer to individual drawings for above panel and below panel dimensions |

Table 2. Electrical Ratings (Amps)

| Rating Code | Supply Voltage | Sea Level | | | 65,000 ft | | |
|-------------|----------------|-----------|-----------|-------|----------------|------------------|-------|
| | | Resistive | Inductive | Motor | Resistive | Inductive | Motor |
| A | 28 Vdc | 4 | 2.5 | 4 | 4 | 2 | 4 |
| B | 28 Vdc | 4 | 3 | 4 | 4 | 2.5 | 4 |
| C | 28 Vdc | 7 | 2 | – | 5 | 1.5 | – |
| D | 28 Vdc | 7 | 4 | – | 7 ¹ | 2.5 ¹ | – |

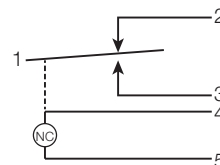
¹ 50,000 ft for Rating Code D.

TYPICAL ET SWITCH CONSTRUCTION

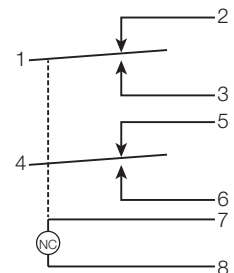


CIRCUITRY

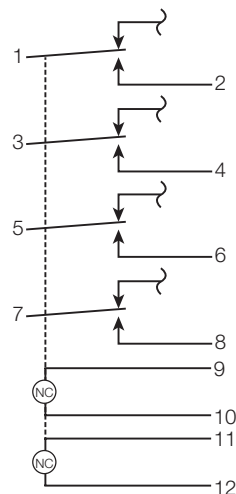
Single-Pole Double-Throw



Double-Pole Double-Throw



Four-Pole Single-Throw

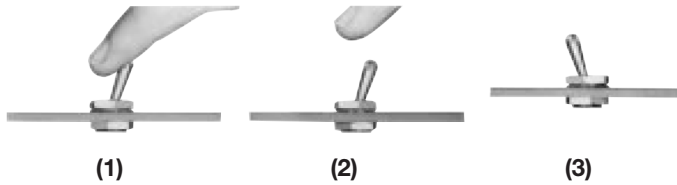


MICRO SWITCH™ Magnetically Held Toggle Switches, ET Series

PRINCIPLE OF OPERATION

A holding coil in ET toggle switches replaces mechanical holding mechanisms to maintain the toggle in an operate position. The toggle is released by breaking the coil circuit.

When the hold-in-coil circuit is open, the ET functions as a momentary contact switch. When the coil is energized (through remote contacts), the toggle lever will be held (maintained) in the operate position. De-energizing the coil causes the lever to snap back to the unoperated position. The lever can also be released manually (overridden). The solenoid has a hold-in capacity only. Energizing the coil circuit will not pull the toggle lever into an operated position from an unoperated position.

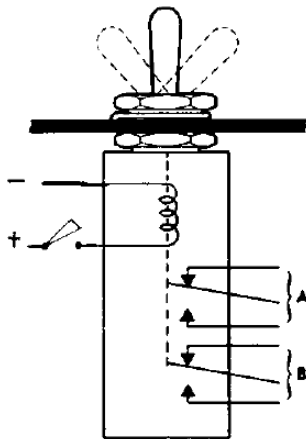


Two-Position

The illustration above shows the operating sequence for an ET with one SPDT circuit. (1) circuit closed manually; (2) energized solenoid holds switch circuit closed; and (3) remote contact breaks solenoid circuit, releases the toggle, and opens the switch circuit. In ETs with two SPDT circuits, both circuits transfer when the lever is operated.

Three-Position

ETs with two SPDT circuits have a magnetic hold-in capability in both directions from center. When the lever is in the center position, the circuitry is as shown in the illustration below. When the lever is moved to one extreme position, switch (A) circuit is transferred and switch (B) circuit is unchanged. In the other extreme position, switch (B) circuit is transferred while switch (A) circuit is unchanged.



TOGGLE TYPES

Standard — Tapered matte finish stainless steel.

Pull-to-unlock — Prevents accidental actuation; must be pulled out to change positions. Stainless steel and nickel-plated brass.

Push-to-unlock — Guards against accidental operation. The toggle must be depressed approximately .100 inch before it can be moved to either extreme position. Matte-finish stainless steel.

Tab — Paddle-shaped clear anodized aluminum tab.



TERMINAL TYPES

Turret — Plated for easy solder connection of up to #14 wire.

Leadwire — No. 20 wire per MIL-W-5086, marked per MIL-W-5088. Standard length of six feet. Leadwire ends are stripped. Other material and lengths can be furnished.

Screw — 4-48 UNF x 0.188 (ref.) (long round head screws with lockwashers). Separated by molded phenolic barriers.



MICRO SWITCH™ Magnetically Held Toggle Switches, ET Series

TWO-POSITION ORDER GUIDE

Table 3. Two-Position ET Series

| No. of Poles/ Basic Switches | Circuit Made With Toggle Lever At: | | Lever Type | Termination | Catalog Listing | Military Number | Electrical Rating Code | Housing Height (Dimension A) mm [in] ¹ |
|---------------------------------|------------------------------------|-----------------|----------------|----------------------|-------------------|------------------|------------------------|---|
| | Keyway* | Opposite Keyway | | | | | | |
| 1 | 1-3 | 1-2 | Standard | Leadwire (side exit) | 25ET61-6 | M5594/1-1 | B | 51,6 [2.03] |
| 1 | 1-3 | 1-2 | Standard | Screw | 25ET61-S | M5594/1-3 | B | 61,2 [2.41] |
| 1 | 1-3 | 1-2 | Standard | Solder Turrent | 25ET61-T | M5594/1-2 | B | 47,5 [1.87] |
| 1 | 1-3 | 1-2 | Tab Lever | Leadwire (side exit) | 25ET62-6 | M5594/1-4 | B | 51,6 [2.03] |
| 1 | 1-3 | 1-2 | Pull-to-unlock | Leadwire (side exit) | 25ET63-6-F | - | B | 51,6 [2.03] |
| 1 | 1-3 | 1-2 | Standard | Leadwire (side exit) | 25ET64-6 | M5594/1-6 | B | 51,6 [2.03] |
| 2 | 1-3, 4-6 | 1-2, 4-5 | Standard | Solder Turrent | 26ET61-T | M5594/2-1 | A | 47,5 [1.87] |
| 2 | 1-3, 4-6 | 1-2, 4-5 | Pull-to-unlock | Solder Turrent | 26ET61-T-F | - | A | 47,5 [1.87] |
| 2 | 1-3, 4-6 | 1-2, 4-5 | Standard | Solder Turrent | 26ET65-T | M5594/2-2 | A | 47,5 [1.87] |
| 4 | 1-2, 3-4, 5-6, 7-8 | None | Standard | Solder Turrent | 29ET6-T | - | D | 57,2 [2.25] |

* Mechanical momentary position, electrically maintained position (solenoid energized).

¹ Reference dimensional drawings on page 6.

MICRO SWITCH™ Magnetically Held Toggle Switches, ET Series

THREE-POSITION ORDER GUIDE

Table 4. Three-Position ET Series

| No. of Poles/ Basic Switches | Circuit Made With Toggle Lever At: | | | Lever Type | Termination | Catalog Listing | Military Number | Electrical Rating Code | Housing height (Dimension A) mm [in] ¹ |
|---------------------------------|------------------------------------|----------|------------------|----------------|----------------|-------------------|-------------------|------------------------|---|
| | Keyway* | Center | Opposite Keyway* | | | | | | |
| 2 | 1-3, 4-5 | 1-2, 4-5 | 1-2, 4-6 | Push-to-unlock | Solder Turrent | 27ET51-T | - | C | 58,0 [2.28] |
| 2 | 1-3, 4-5 | 1-2, 4-5 | 1-2, 4-6 | Standard | Solder Turrent | 27ET61-T | M5594/3-1 | C | 58,0 [2.28] |
| 2 | 1-3, 4-5 | 1-2, 4-5 | 1-2, 4-6 | Pull-to-unlock | Solder Turrent | 27ET61-T-E | M5594/6-1E | C | 58,0 [2.28] |
| 2 | 1-3, 4-5 | 1-2, 4-5 | 1-2, 4-6 | Pull-to-unlock | Solder Turrent | 27ET61-T-L | M5594/6-1L | C | 58,0 [2.28] |
| 2 | 1-3, 4-5 | 1-2, 4-5 | 1-2, 4-6** | Pull-to-unlock | Solder Turrent | 27ET61-T-M | M5594/6-1M | C | 58,0 [2.28] |

* Mechanical momentary position, electrically maintained position (solenoid energized).

** Mechanical lever lock position.

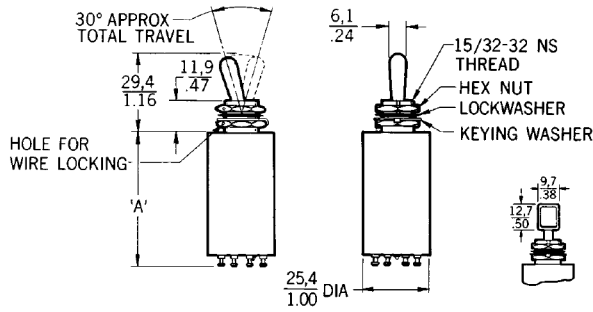
¹ Reference dimensional drawings on page 6.

MICRO SWITCH™ Magnetically Held Toggle Switches, ET Series

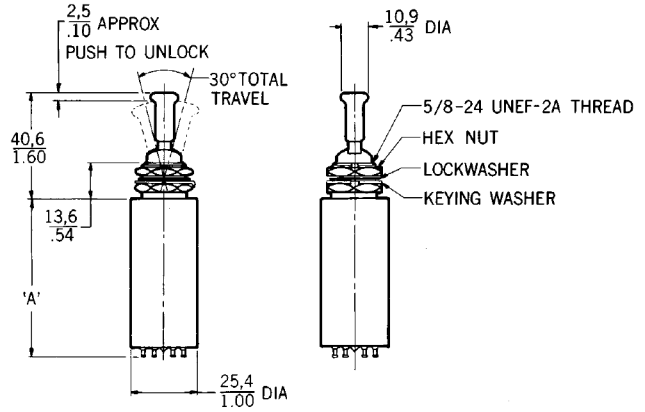
DIMENSIONAL DRAWINGS

Figure 1. Standard Dimensions

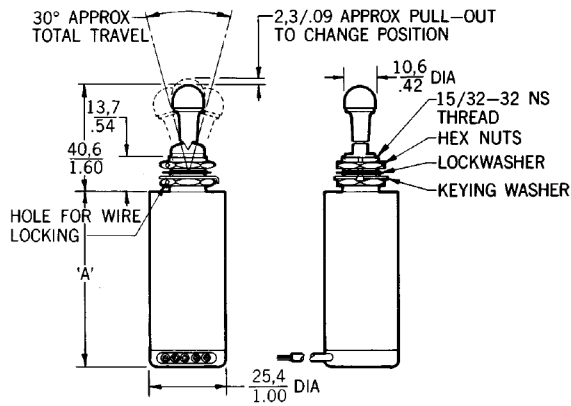
Standard and tab toggle levers



Push-to-unlock toggle lever



Pull-to-unlock toggle lever



LOCKING CONFIGURATION

| E | M |
|--|---|
| | |
| Locked In Center Position | Locked Out Of And Into Extreme Position (Opposite Keyway) |
| F | L |
| | |
| Locked In Extreme Position (Opposite Keyway) | Locked Out Of Extreme Position (Keyway Side) |

Key: 0.0 = mm
0.00 = inches

ADDITIONAL MATERIALS

The following associated literature is available on the Honeywell web site at sensing.honeywell.com:

- Product line guide
- Product range guide
- Application note: Flight deck toggle switches

WARNING **PERSONAL INJURY**

DO NOT USE these products as safety or emergency stop devices or in any other application where failure of the product could result in personal injury.

Failure to comply with these instructions could result in death or serious injury.

WARNING **MISUSE OF DOCUMENTATION**

- The information presented in this product sheet is for reference only. Do not use this document as a product installation guide.
- Complete installation, operation, and maintenance information is provided in the instructions supplied with each product.

Failure to comply with these instructions could result in death or serious injury.

Find out more

Honeywell serves its customers through a worldwide network of sales offices, representatives and distributors. For application assistance, current specifications, pricing or name of the nearest Authorized Distributor, contact your local sales office. To learn more about Honeywell's sensing and control products, call **+1-815-235-6847** or **1-800-537-6945**, visit **sensing.honeywell.com**, or e-mail inquiries to **info.sc@honeywell.com**

Sensing and Productivity Solutions
Honeywell
1985 Douglas Drive North
Golden Valley, MN 55422
honeywell.com

Warranty/Remedy

Honeywell warrants goods of its manufacture as being free of defective materials and faulty workmanship. Honeywell's standard product warranty applies unless agreed to otherwise by Honeywell in writing; please refer to your order acknowledgement or consult your local sales office for specific warranty details. If warranted goods are returned to Honeywell during the period of coverage, Honeywell will repair or replace, at its option, without charge those items it finds defective. **The foregoing is buyer's sole remedy and is in lieu of all other warranties, expressed or implied, including those of merchantability and fitness for a particular purpose. In no event shall Honeywell be liable for consequential, special, or indirect damages.**

While we provide application assistance personally, through our literature and the Honeywell web site, it is up to the customer to determine the suitability of the product in the application.

Specifications may change without notice. The information we supply is believed to be accurate and reliable as of this printing. However, we assume no responsibility for its use.

Honeywell