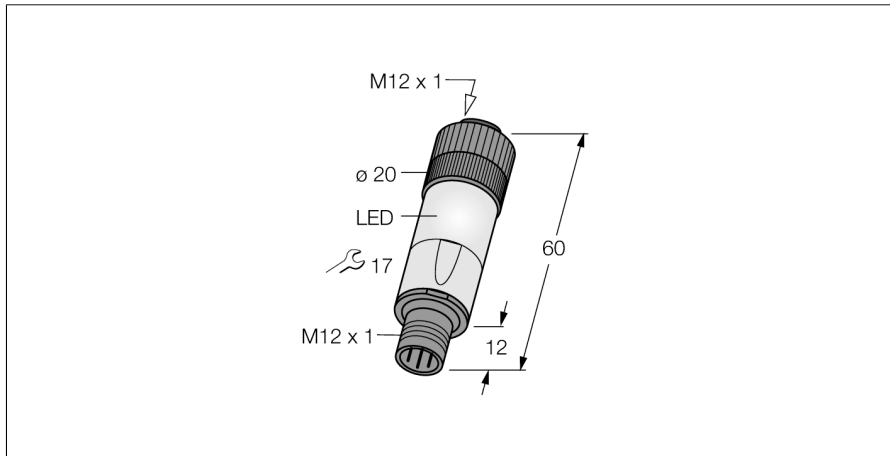
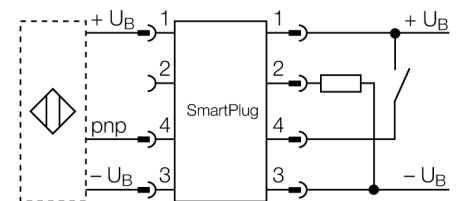


**Accessories**  
**SmartPlug**  
**PNP/NPN Converter**  
**SPN1-AP6-ARN6X**



- multifunctional adapter for connection to standard sensors
- Degree of protection IP67
- 4-pin M12 x 1, female connector
- 4-pin M12 x 1, male connector
- 4-wire, 10...30 VDC
- Amplification of switching capacity
- max. output current 400 mA

**Wiring Diagram**



**Functional principle**

The SmartPlug Inverter SPN1-AP6-ARN6X inverts the signal of the connected sensor from pnp to npn. Additionally, the output function can be changed with the control line (NO/NC).

<b>Type designation</b>	SPN1-AP6-ARN6X
Ident no.	A0624
<b>Ambient temperature</b>	0...+60 °C
<b>Operating voltage</b>	10...30 VDC
Output function	4-wire
Insulation class	□
<b>Dimensions</b>	60 mm
Housing material	Plastic
Protection class	IP67

