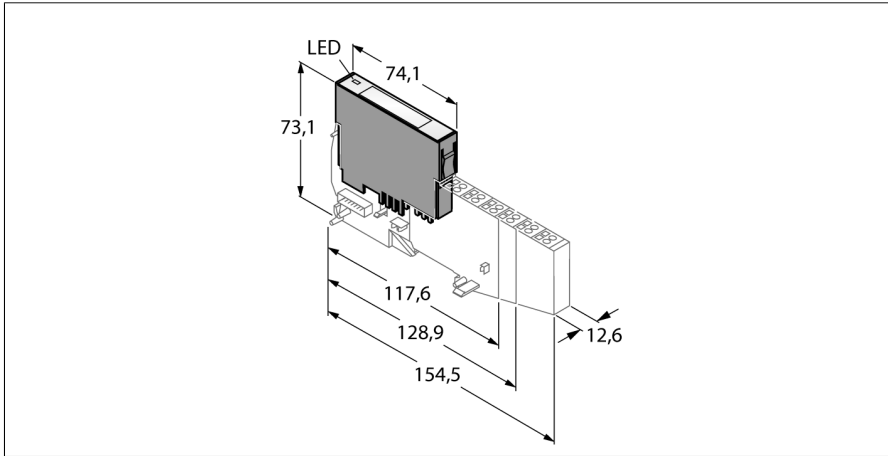


BL20 electronic module
1 analog input
BL20-1AI-I(0/4...20MA)



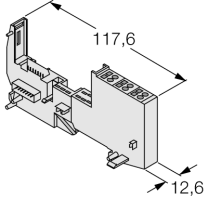
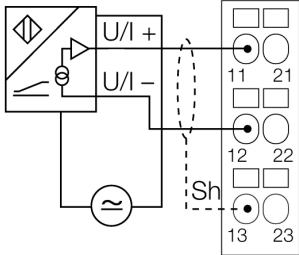
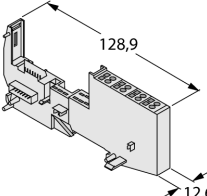
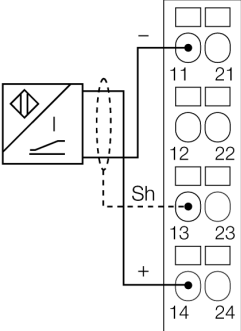
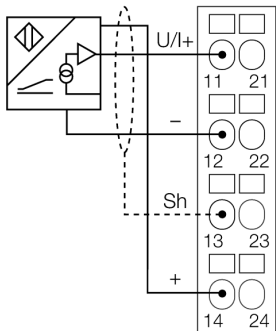
Functional principle

BL20 electronic modules are plugged into the purely passive base modules which are used for connection of field devices. Maintenance is significantly facilitated due to separation of the connection level from the module electronics. Furthermore flexibility is enhanced because the base modules provide a choice of tension spring or screw connection technology. The electronic modules are completely independent of the type of higher level field bus through the use of gateways.

Type designation	BL20-1AI-I(0/4...20MA)
Ident-No.	6827018
Number of channels	1
Rated voltage from the supply terminal	24 VDC
Nominal current from field supply	≤ 50 mA
Nominal current from module bus	≤ 41 mA
Power dissipation, typical	≤ 1 W
Inputs	
Input type	0/4...20 mA
Input resistance	< 0.125
Max. input current	50 mA
Electrical isolation	electronics for the field level
Output connectivity	Screw, tension spring
Basic fault limit at 23 °C	< 0.2 %
Repeatability	0.09 %
Temperature coefficient	< 300 ppm/°C of full scale
Resolution	14 Bit
Measuring principle	successive approximation
Measured-value display	16 bit signed integer
	12 bit full range left justified
Cycle time	≤ 3 ms
Number of diagnostics bytes	1
Number of parameter bytes	1
Dimensions (W x L x H)	12.6 x 74.1 x 55.4mm
Approvals	CE, cULus
Operating temperature	0 to +55 °C
Storage temperature	-25...+85 °C
Relative humidity	5 to 95% (internal), Level RH-2, no condensation (at 45 °C storage)
Vibration test	acc. to EN 61131
Shock test	acc. to IEC 68-2-27
Drop and topple	acc. to IEC 68-2-31 and free fall to IEC 68-2-32
Electromagnetic compatibility	acc. to EN 50,082-2
Protection class	IP20

BL20 electronic module
1 analog input
BL20-1AI-I(0/4...20MA)

Compatible base modules

Dimension drawing	Type	Pin configuration
	<p>BL20-S3T-SBB 6827044 tension spring connection with external sensor supply</p> <p>BL20-S3S-SBB 6827045 screw connection with external sensor supply</p>	<p>Wiring Diagram</p> 
	<p>BL20-S4T-SBBS 6827046 tension spring connection</p> <p>BL20-S4S-SBBS 6827047 screw connection</p>	<p>2-wire Connection</p>  <p>3-wire Connection</p>  <p>4-wire connection</p> 