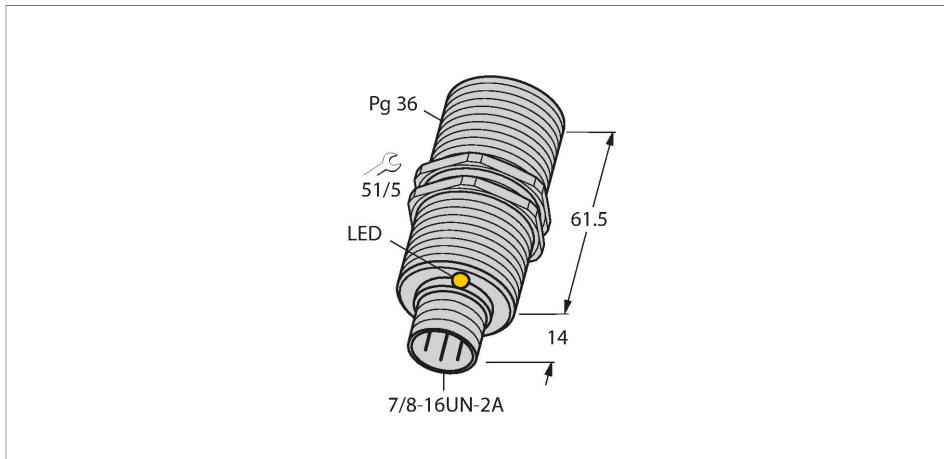


BI25-G47-VP4X-B2141

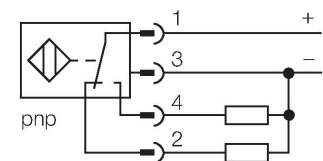
Inductive sensor



Features

- Threaded barrel, PG36
- Chrome-plated brass
- DC 4-wire, 10...65 VDC
- Changeover contact, PNP output
- 7/8" male connector

Wiring diagram



Technical data

Type	BI25-G47-VP4X-B2141
Ident. no.	45902
Rated switching distance	25 mm
Mounting conditions	Flush
Secured operating distance	≤ (0,81 x Sn) mm
Correction factors	St37 = 1; Al = 0.3; stainless steel = 0.7; Ms = 0.4
Repeat accuracy	≤ 2 % of full scale
Temperature drift	≤ ± 10 %
Hysteresis	3...15 %
Ambient temperature	-25...+70 °C
Operating voltage	10...65 VDC
Residual ripple	≤ 10 % U _{ss}
DC rated operational current	≤ 200 mA
No-load current	≤ 15 mA
Residual current	≤ 0.1 mA
Isolation test voltage	≤ 0.5 kV
Short-circuit protection	yes / Cyclic
Voltage drop at	≤ 1.8 V
Wire breakage/Reverse polarity protection	yes / Complete
Output function	4-wire, Complementary contact, PNP
Switching frequency	0.1 kHz
Design	Threaded barrel,G47
Dimensions	75.5 mm
Housing material	Metal, CuZn, Chrome-plated

Functional principle

Inductive sensors detect metal objects contactless and wear-free. For this, they use a high-frequency electromagnetic AC field that interacts with the target. Inductive sensors generate this field via an RLC circuit with a ferrite coil.

Technical data

Active area material	Plastic, PA12-GF30
Connector housing	plastic
Max. tightening torque housing nut	90 Nm
Electrical connection	Connector, 7/8"
Vibration resistance	55 Hz (1 mm)
Shock resistance	30 g (11 ms)
Protection class	IP67
MTTF	2283 years acc. to SN 29500 (Ed. 99) 40 °C
Switching state	LED, Yellow

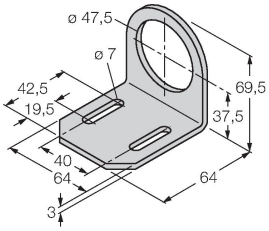
Mounting instructions

Mounting instructions/Description



Distance D	2 x B
Distance T	3 x B
Diameter active area B	Ø 47 mm

Accessories

MW47**69452**

Mounting bracket; material: Steel plate,
galvanized