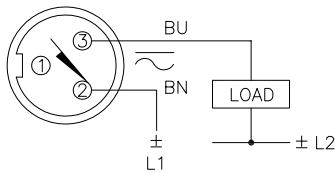
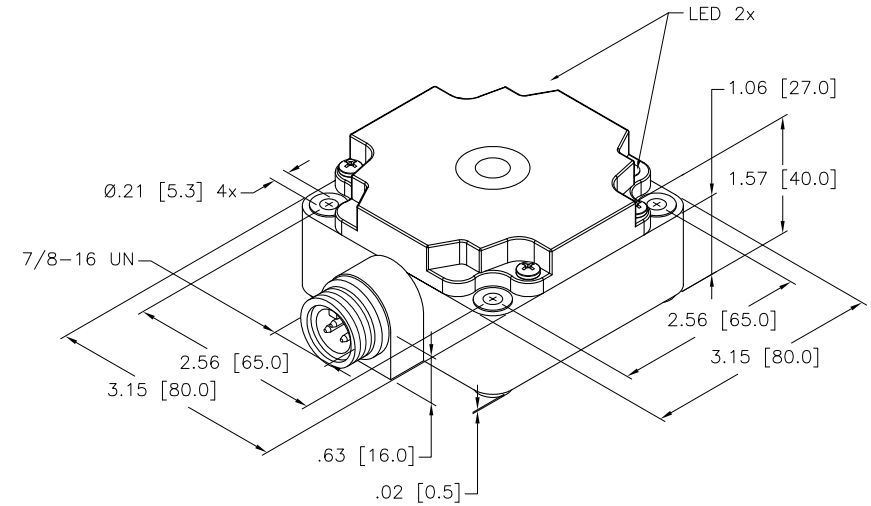


OPERATING VOLTAGE 2-WIRE AC, 20-250 VAC/VDC
 OUTPUT FUNCTION CONNECTION PROGRAMMABLE
 EMBEDDABLE YES
 RATED OPERATING DISTANCE 40 mm
 APPROVAL OR CERTIFICATION CSA (C US), CE
 SHORT-CIRCUIT PROTECTION YES
 WELD-FIELD IMMUNITY NO
 SWITCHING FREQUENCY 60 Hz
 LINE FREQUENCY 40-60 Hz
 DIFFERENTIAL TRAVEL <HYSTERESIS> 3-15% (5% TYPICAL)
 VOLTAGE DROP ACROSS CONDUCTING SENSOR ≤6.0 V AT 400 mA
 TRIGGER CURRENT FOR OVERLOAD PROTECTION ≥500 mA
 CONTINUOUS LOAD CURRENT ≤400 mA
 OFF-STATE <LEAKAGE> CURRENT ≤1.7 mA
 MINIMUM LOAD CURRENT ≥3.0 mA
 INRUSH CURRENT ≤3.0 A (≤20 ms, 10% DUTY CYCLE)
 TIME DELAY BEFORE AVAILABILITY ≤30 ms
 POWER-ON EFFECT PER IEC 947-5-2
 TRANSIENT PROTECTION PER EN 60947-5-2
 OPERATING TEMPERATURE -25°C TO +70°C (-13°F TO + 158°F)
 SHOCK 30 g, 11 ms
 VIBRATION 55 Hz, 1 mm AMPLITUDE (ALL 3 PLANES)
 REPEATABILITY ≤2% OF RATED OPERATING DISTANCE
 NUMBER OF LEDS 2
 LED FUNCTION <RED> OUTPUT ENERGIZED
 LED FUNCTION <GREEN> POWER ON
 LED FUNCTION <FLASHING GREEN> SHORT-CIRCUIT INDICATION
 ENCLOSURE MEETS NEMA 1,3,4,6,13, AND IEC IP 67
 CONNECTION 3-PIN minifast CONNECTOR
 CONNECTOR MATERIAL CHROME-PLATED BRASS
 HOUSING MATERIAL PBT-GF30-V0 PLASTIC
 TERMINAL CHAMBER COVER MATERIAL TROGAMID T



SOURCE DRAWING - FOR REFERENCE ONLY

NOTE: ALL DIMENSIONAL TOLERANCES ±1.0 mm.

RELATED DOCUMENTS		3RD ANGLE PROJECTION		THIS DRAWING IS PROPERTY OF TURCK INC. USE OF THIS DOCUMENT WITHOUT WRITTEN PERMISSION IS PROHIBITED.		TURCK INC High Technology Sensors and Automation Controls 3000 CAMPUS DRIVE MINNEAPOLIS, MN 55441 1-800-544-7769 (763) 553-7300 (763) 553-0708 fax turck.com	
1. 2. 3. 4.				DRFT CBM		DATE 09/13/00	
MATERIAL		ALL DIMENSIONS DISPLAYED ON THIS DRAWING ARE FOR REFERENCE ONLY		DSGN		SCALE NONE	
FINISH		CONTACT TURCK FOR MORE INFORMATION		UNIT OF MEASUREMENT		DESCRIPTION	
				INCH [MILLIMETER]		Bi40-CP80-FDZ30X2-B1131	
				DO NOT SCALE THIS DRAWING		IDENTIFICATION NO. M4230990	
						REV A	
						FILE: M4230990	
						SHEET 1 OF 1	

A	DRAWING RELEASE	CBM	09/13/00	
REV	DESCRIPTION	BY	DATE	ECO NO.