



Bulletin 800S — Standard Duty Stations

Bulletin 800S standard duty push button stations are used in control circuits. They offer compact size and dependable performance.

NEMA Type 1 general purpose stations have been designed for greater operating flexibility and ease of wiring. The cover of the station contains the entire contact mechanism. Wiring terminals are located in the base. Spring type, silver plated contacts connect the two assemblies. This unique construction will speed up installation and maintenance. Operating buttons can be rotated 90° to make them suitable for horizontal mounting. This change can be made in the field.

NEMA Type 4 enclosures are die cast aluminum. Standard stations are supplied with a 3/4 in. pipe tap at the bottom.

Table of Contents

Contact Ratings 10-225
 Accessories..... 10-225
 Approximate
 Dimensions..... 10-226

Pilot Lights

- Push button stations with pilot lights can operate on either 120V or 240V by changing connections. A red pilot lens is supplied.

Selector Switches

- All two-position Bulletin 800S standard duty selector switch stations can be changed to three-position in the field, and the three-position selector switches can be changed to two-position. Instructions for changing are included with each station.
- In addition to the standard marking, all selector switches are supplied with adhesive backed metal legend plates, marked as follows: OFF-ON, FOR-REV, HAND-AUTO, OPEN-CLOSE, HIGH-LOW, SUMMER-WINTER, SUMMER-OFF-WINTER, HIGH-OFF-LOW, OPEN-OFF-CLOSE, FOR-OFF-REV, HAND-OFF-AUTO.

Product Selection
Complete Assembled Stations



*Flush Mount Units fit a standard GEM or Handy Type Wall Box. Contact Symbol 3
 Cat. No. 800S-2AS*

Type 1 Flush Mount Unit* — Wall Box not included			
Legend Marking	Contact Symbol➤	Grey Painted Flush Plate	Stainless Steel Flush Plate
		Cat. No.	Cat. No.
START STOP	3	800S-2AS	800S-2ASQ

* Not rated for DC operation.



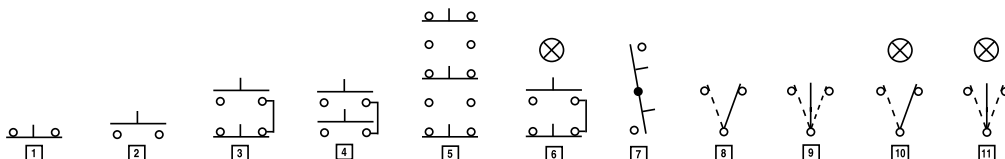
Cat. No. 800S-2SAP



Cat. No. 800S-2SCM

Momentary Contact Buttons and Pilot Light — 120V or 240V, Type 1.			Maintained Contact Buttons — Type 1		
Legend Marking	Contact Symbol➤	Cat. No.	Legend Marking	Contact Symbol➤	Cat. No.
No Legend START STOP	6	800S-2SAP	No Legend ON OFF	7	800S-2SCM
			No Legend START STOP	7	800S-2SBM

➤ Contact Symbols



Bulletin 800S
Standard Duty Stations
 Product Selection

Complete Assembled
 Stations, Continued



Cat. No. **800S-R3SX**



Cat. No. **800S-R2SXP**

Selector Switches — Type 1				Selector Switch and Pilot Light — 120V or 240V, Type 1			
Legend Marking	Operator Type	Contact Symbol➤	Cat. No.	Legend Marking	Operator Type	Contact Symbol➤	Cat. No.
OFF-ON	2-Position Selector Switch	8	800S-R2SX	No Legend OFF-ON	Pilot Light, 2- Position Selector Switch	10	800S-R2SXP
HAND-OFF-AUTO	3-Position Selector Switch	9	800S-R3SX	No Legend HAND OFF AUTO	Pilot Light, 3- Position Selector Switch	11	800S-R3SXP



Cat. No. **800S-2SA**



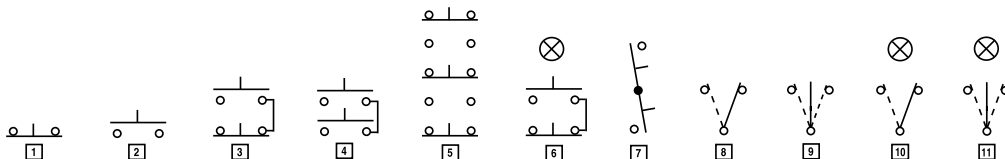
Cat. No. **800S-2SA4**

Momentary Contact Buttons		Contact Symbol➤	Type 1	Type 4 Die Cast Aluminum Enclosure *❖
Legend Marking	Contact Type		Cat. No.	Cat. No.
STOP	1 N.C.	1	800S-1SA	800S-1SA4
	1 N.O.	2	800S-1SAK	800S-1SAK4
START	—	2	800S-1SB	800S-1SB4
START STOP	1 N.O. - 1 N.C.	3	800S-2SA	800S-2SA4
	1 N.O. - 1 N.O.	4	800S-2SAK	800S-2SAK4
FOR REV	—	4	800S-2SB	800S-2SB4
OPEN CLOSE	—	4	800S-2SF	800S-2SF4
ON OFF	1 N.O. - 1 N.C.	3	800S-2SE	800S-2SE4
	1 N.O. - 1 N.O.	4	800S-2SEK	800S-2SEK4
RAISE LOWER	—	4	800S-2SD	800S-2SD4
UP DOWN	—	4	800S-2SC	800S-2SC4
FAST SLOW STOP	—	5	800S-3SF	—
FOR REV STOP	—	5	800S-3SA	—
OPEN CLOSE STOP	—	5	800S-3SD	—
RAISE LOWER STOP	—	5	800S-3SB	—
UP DOWN STOP	—	5	800S-3SC	—

* Not rated for DC operation.

❖ Flip levers permit attachment of lock without additional accessory.

➤ Contact Symbols



www.ab.com/catalogs Preferred availability cat. nos. are bold.

Publication A117-CA001A-EN-P



Contact Ratings




(IEC 337-1) (NEMA ICS 2-125) Maximum Continuous Current I_{th} 5 A. Bulletin 800S push button stations have control circuit ratings as follows:

Maximum Operational Voltage U_e	Utilization Category		Rated Operational Current		
	IEC	NEMA	Volts $U_e U_e$	Make	Break
				► ◄	◄ ►
AC 600	AC-11	B600	480...600	3600VA	360VA
			240...480	3600VA	360VA
			120...240	30 A	3.0 A
DC 600	DC-11	P600	28...600	138VA	
			24...28‡	5.0 A	

‡ For applications below 24V and 24 mA, Bulletin 800T units with Logic Reed, sealed switch, or stackable sealed switch contact blocks are recommended.

Accessories

Complete Assembled Stations

	Description	Cat. No.
 <i>Cat. No. 800S-N90R</i>	Pilot Light Lens Red lens replacement cap.	800S-N90R
 <i>Cat. No. 800S-N60</i>	Lamp 120V lamp	800S-N60
 <i>Cat. No. 800S-N1</i>	Locking Attachments This device is used with extended push buttons or 2-position selector switches.	800S-N1
	This device is used with 3-position selector switches, to lock in the right or left position.	800S-N4

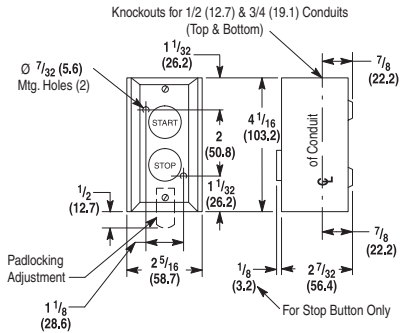
Standard Duty Stations

Approximate Dimensions

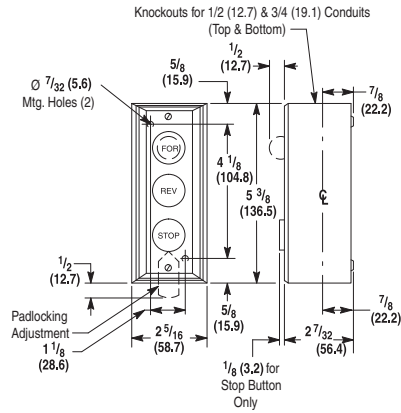
Approximate Dimensions and Shipping Weights

Dimensions in inches (millimeters). Dimensions are not intended to be used for manufacturing purposes.

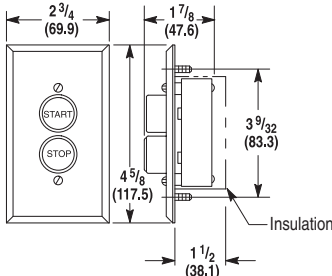
Type 1 — General Purpose Enclosures



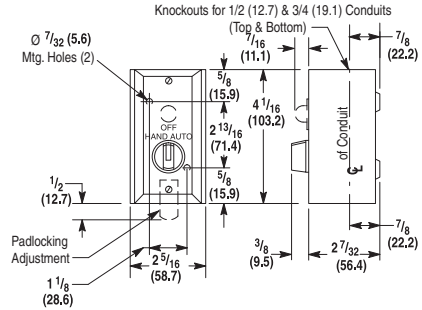
One- and Two-Unit Surface Mounting Stations
Shipping Wt. 1 lb (0.45 kg)



Two-Unit Flush Mounting Station
Shipping Wt. 2 lbs (0.91 kg)

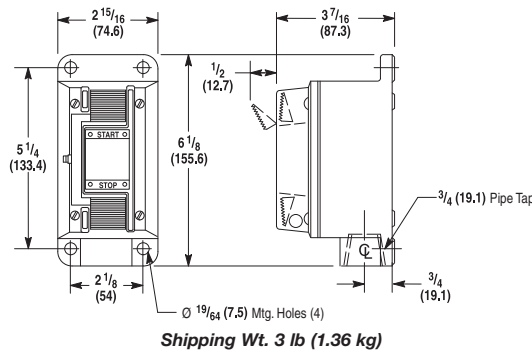


Three-Unit Surface Mounting Station
Shipping Wt. 1 lbs (0.45 kg)



Selector Switch Surface Mounting Station
Shipping Wt. 1 lb (0.45 kg)

Type 4 — Watertight Enclosure



Shipping Wt. 3 lb (1.36 kg)