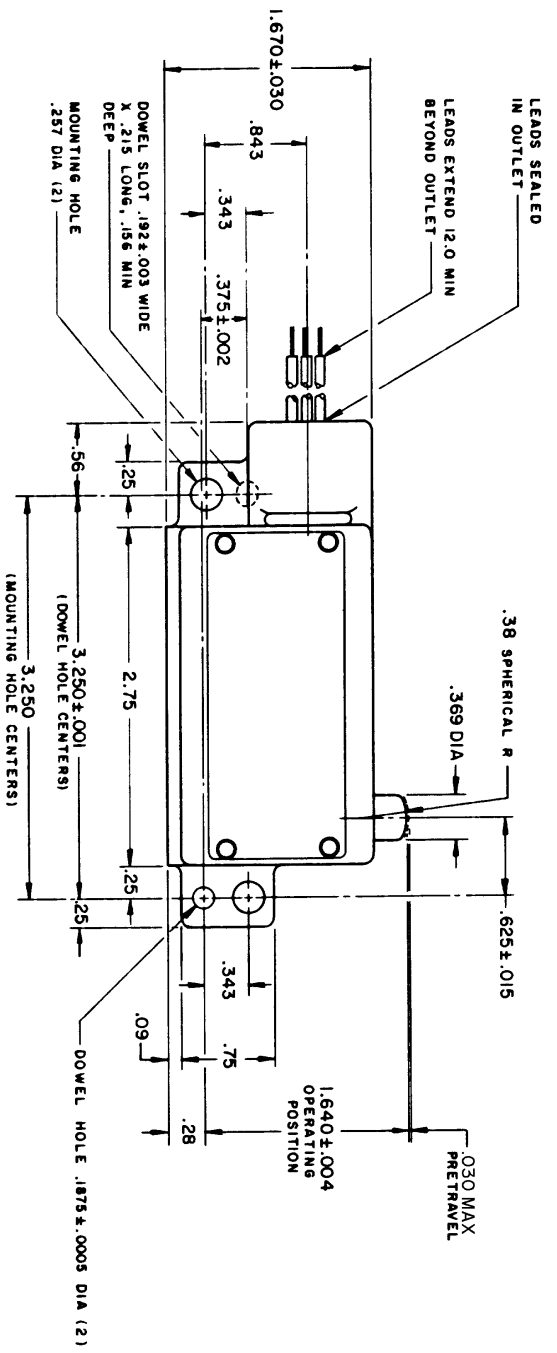
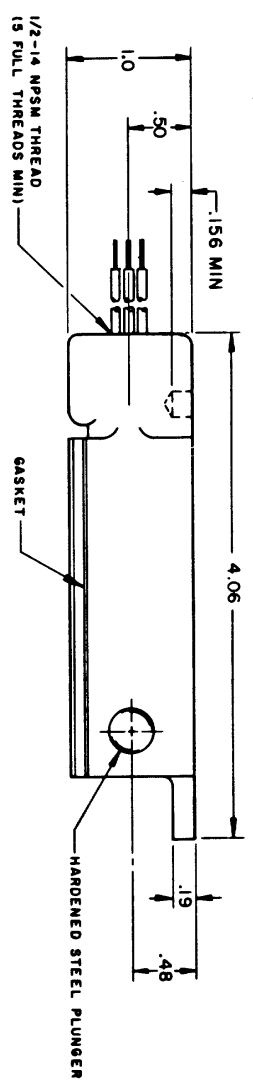


**MICRO SWITCH**  
 FREEPORT ILLINOIS U.S.A.  
 A DIVISION OF HONEYWELL  
 P.O. BOX 11928

**SWITCH - ENCLOSED**

CATALOG LISTING  
**BZLN-RH**



ISSUE	11	DRAWING NUMBER	M	BZLN-RH
REV	82	RELEASE NO.		
REV	81	REPLACES		
REV	80			
REV	79			
REV	78			
REV	77			
REV	76			
REV	75			
REV	74			
REV	73			
REV	72			
REV	71			
REV	70			
REV	69			
REV	68			
REV	67			
REV	66			
REV	65			
REV	64			
REV	63			
REV	62			
REV	61			
REV	60			
REV	59			
REV	58			
REV	57			
REV	56			
REV	55			
REV	54			
REV	53			
REV	52			
REV	51			
REV	50			
REV	49			
REV	48			
REV	47			
REV	46			
REV	45			
REV	44			
REV	43			
REV	42			
REV	41			
REV	40			
REV	39			
REV	38			
REV	37			
REV	36			
REV	35			
REV	34			
REV	33			
REV	32			
REV	31			
REV	30			
REV	29			
REV	28			
REV	27			
REV	26			
REV	25			
REV	24			
REV	23			
REV	22			
REV	21			
REV	20			
REV	19			
REV	18			
REV	17			
REV	16			
REV	15			
REV	14			
REV	13			
REV	12			
REV	11			
REV	10			
REV	9			
REV	8			
REV	7			
REV	6			
REV	5			
REV	4			
REV	3			
REV	2			
REV	1			

THIS DRAWING COVERS A PROPRIETARY ITEM AND IS THE PROPERTY OF MICRO SWITCH, A DIVISION OF MINNEAPOLIS-HONEYWELL REGULATOR CO. THIS DRAWING IS NOT TO BE COPIED OR USED WITHOUT THE APPROVAL OF MICRO SWITCH.

**CHARACTERISTICS**

OPERATING FORCE - 5 LB MAX

RELEASE FORCE - 1 LB MIN

DIFFERENTIAL TRAVEL - .004 MAX

OVERTRAVEL - .203 MIN

**ELECTRICAL DATA**

CONTACT ARRANGEMENT  
 S P D T

SCALE FULL

DO NOT SCALE PRINT

UNLESS OTHERWISE NOTED

DIENSIONS ARE IN INCHES

TOLERANCES ARE:

ONE PLACE (10)

TWO PLACE (.001)

THREE PLACE (.000)

FOUR PLACE (.000)

WEIGHT 7.70 LB

PLUS LEADS

**WIRING CONNECTIONS -**

COMMON - BLACK LEAD

NORMALLY OPEN - BLUE LEAD

NORMALLY CLOSED - RED LEAD

REVISIONS

A CO 18397

M 10/64

B CO 30714

27 APR 83

C CO 56986

M 11/84

31 OCT 84

D CO 81761

25 SEP 95

DRAWN

M B F

5 NOV 64

CHECK

D A W

18 NOV 64

CHECK