

## MILITARY – ENVIRONMENTALLY SEALED SWITCHES

### Series – 8500, 8501, 8502

### MIL-S-3950 Toggle Switches

FEATURES	SPECIFICATIONS	CURRENT RATINGS								
		No. of Poles	Catalog Number	Type of Operation	28VDC			115VAC 60 or 400Hz		
					Lamp Load	Resistive Load	Inductive Load	Lamp Load	Resistive Load	Inductive Load
<ul style="list-style-type: none"> <li>Environmentally sealed</li> <li>1, 2, and 4 pole circuitry</li> <li>2 &amp; 3 position with maintained and momentary action</li> <li>Molded-in terminal inserts and terminal numbers</li> <li>Environmentally sealed per MIL-S-3950</li> </ul>	<ul style="list-style-type: none"> <li>MS approved and CPL'd per MIL-S-3950</li> <li>Thermoset molding materials meet flame retardant requirements</li> <li>Bushing: 15/32" - 32 thread</li> <li>Temperature Range: -85°F to +160°F (-65°C to +71°C)</li> <li>Life: 20,000 operations at rated load 40,000 operations mechanical life</li> </ul>	1	8500	Maintained Momentary	5	20	15	3	15	10
					4	15	10	2	15	7
		2	8501	Maintained Momentary	7	20	15	4	15	15
					5	18	10	2	11	8
		4	8502	Maintained Momentary	5	20	12	4	15	15
					4	18	10	2	11	8

Minimum Rating: "Intermediate Current" per MIL-S-3950

TOGGLE SWITCHES

### STANDARD LEVER SELECTION TABLE



CIRCUIT WITH LEVER IN...			ONE POLE		TWO POLE		FOUR POLE	
Up Position	Center Position	Down Position (Keyway)	MS Part Number	Catalog Number	MS Part Number	Catalog Number	MS Part Number	Catalog Number
ON	OFF	ON	MS24523-21	8500K1	MS24524-21	8501K1	MS24525-21	8502K1
ON	NONE	OFF	-22	K9	-22	K9	-22	K9
ON	NONE	ON	-23	K4	-23	K4	-23	K4
ON	OFF	NONE	-24	K6	-24	K6	-24	K6
ON	OFF*	NONE	-25	K8	-25	K8	-25	K8
ON	NONE	ON*	MS24523-26	8500K5	MS24524-26	8501K5	MS24525-26	8502K5
* ON	OFF	ON*	-27	K2	-27	K2	-27	K2
NONE	OFF	ON*	-28	K7	-28	K7	-28	K7
ON	NONE	OFF*	-29	K10	-29	K10	-29	K10
OFF	NONE	ON*	-30	K11	-30	K11	-30	K11
* ON	OFF	ON*	MS24523-31	8500K3	MS24524-31	8501K3	MS24525-31	8502K3
* ON	ON	NONE	-32	K12	-32	K12	-32	K12
ON	ON	NONE	-33	K13	-33	K13	-33	K13
ON	ON	ON*	-	-	MS27407-1	8501K14	MS27406-1	8502K15
* ON	ON	ON*	-	-	-2	K15	-2	K16
ON	ON	ON*	-	-	-3	K16	-3	K17
ON	ON	ON*	-	-	-4	K17	-	-
ON	ON	ON*	-	-	-5	K18	-	-
* ON	ON	ON*	-	-	-6	K19	-	-

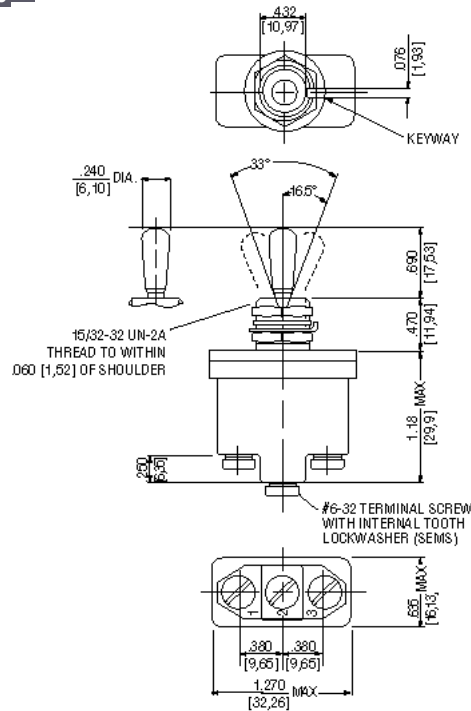
\* Momentary contact.  
See Page 73 for circuit diagrams.

## MILITARY – ENVIRONMENTALLY SEALED SWITCHES

Series – 8500, 8501, 8502

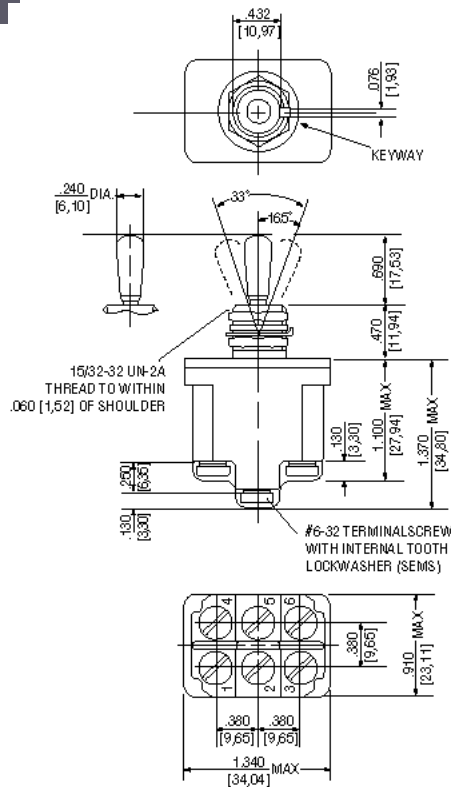
MIL-S-3950 Toggle Switches

### MOUNTING DIMENSIONS – ONE POLE / 8500



Terminal Identification

### MOUNTING DIMENSIONS – TWO POLE / 8501



Terminal Identification

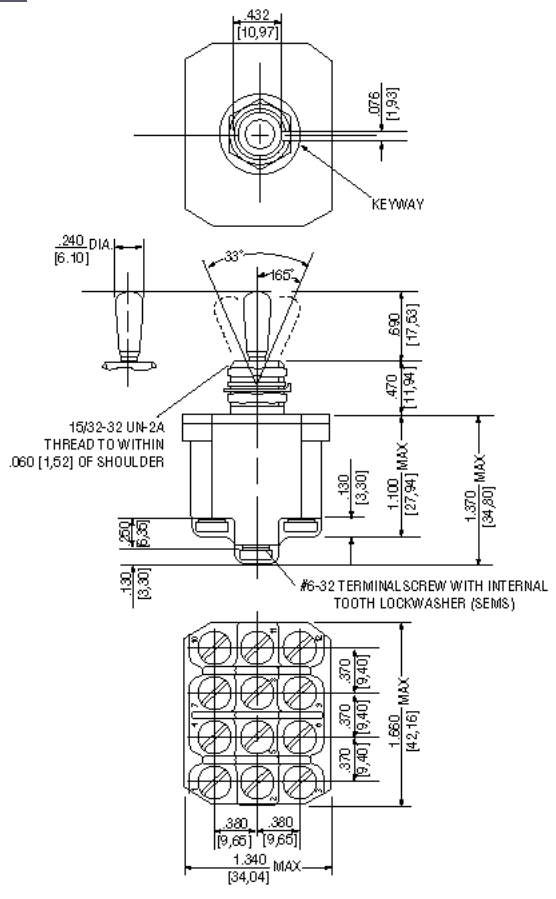
**STANDARD**  
0.00 = inches  
[0,0] = mm

Mounting dimensions for reference only.  
Non-functional terminals not supplied.

## MILITARY – ENVIRONMENTALLY SEALED SWITCHES

### Series – 8500, 8501, 8502 MIL-S-3950 Toggle Switches

#### MOUNTING DIMENSIONS – FOUR POLE / 8502

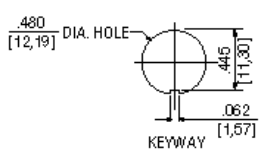
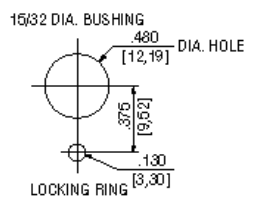


#### Terminal Identification

Non-functional terminals not supplied.

#### OPTIONS/ACCESSORIES PANEL CUTOUT DIMENSIONS

- Special mounting hardware
- Mounting hardware furnished assembled
- Terminal screws furnished assembled
- Special circuits
- Panel seal, part number 32-341 (See Accessories and Custom Components section)
- Special "3 Cateye" luminous lever attachment
- Lever extensions and attachable tips (See Accessories and Custom Components section)
- Custom wiring harnesses



**STANDARD**  
0.00 = inches  
[0,0] = mm

Mounting dimensions for reference only.

TOGGLE SWITCHES