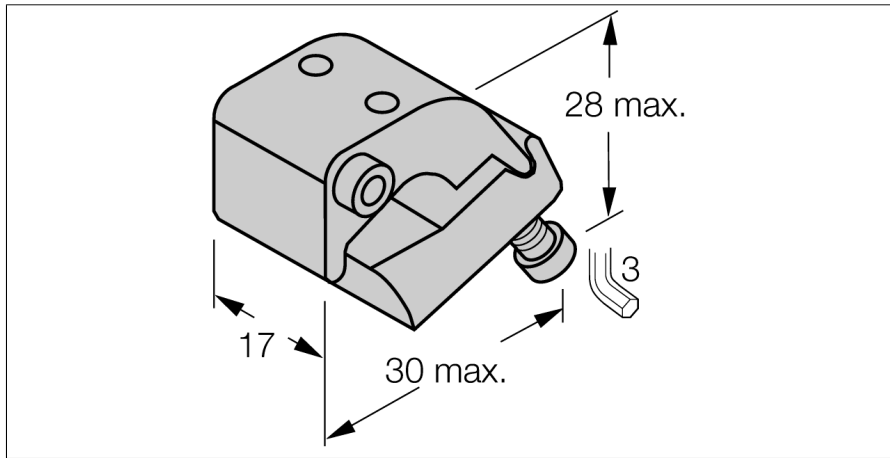
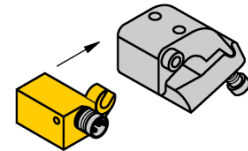
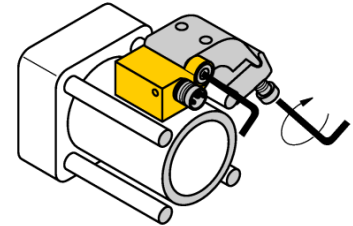


Accessories
Mounting Bracket
For Tie-Rod Cylinders
KLQ-1 Z



- Mounting on tie-rod cylinders
- Cylinder diameter: 32...63 mm
- Material: Anodized aluminum



Type designation	KLQ-1 Z
Ident-No.	6971911
Design	Accessories, QST
Dimensions	30 x 28 x 17 mm
Housing material	Metal, AL, Anodized
Fixing clamp for correspondent cylinder diameter	32...63 mm
Clamping width min.	4 mm
Max.clamp width	8 mm