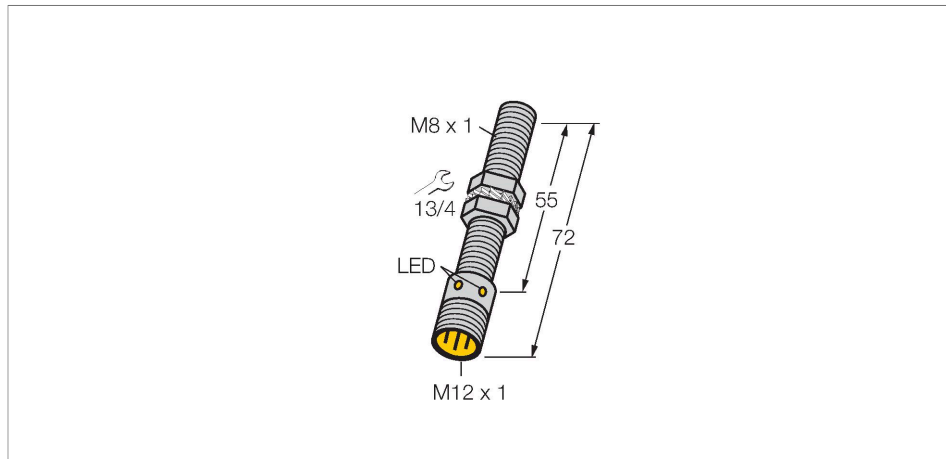


# BI2-G08-AP6X-H1341

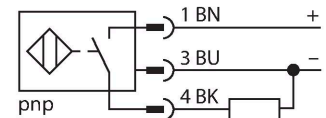
## Inductive sensor



### Features

- Threaded barrel, M8 x 1
- Stainless steel, 1.4404
- DC 3-wire, 10...30 VDC
- NO contact, PNP output
- M12 x 1 male connector

### Wiring diagram



### Technical data

<b>Type</b>	BI2-G08-AP6X-H1341
Ident. no.	46025
Rated switching distance	2 mm
Mounting conditions	Flush
Secured operating distance	≤ (0,81 x Sn) mm
Correction factors	St37 = 1; Al = 0.3; stainless steel = 0.7; Ms = 0.4
Repeat accuracy	≤ 2 % of full scale
Temperature drift	≤ ± 10 %
Hysteresis	3...15 %
Ambient temperature	-25...+70 °C
Operating voltage	10...30 VDC
Residual ripple	≤ 10 % U <sub>ss</sub>
DC rated operational current	≤ 150 mA
No-load current	≤ 15 mA
Residual current	≤ 0.1 mA
Isolation test voltage	≤ 0.5 kV
Short-circuit protection	yes / Cyclic
Voltage drop at	≤ 1.8 V
Wire breakage/Reverse polarity protection	yes / Complete
Output function	3-wire, NO contact, PNP
Switching frequency	3 kHz
<b>Design</b>	Threaded barrel, M8 x 1
Dimensions	72 mm
Housing material	Metal, V4A (1.4404)

### Functional principle

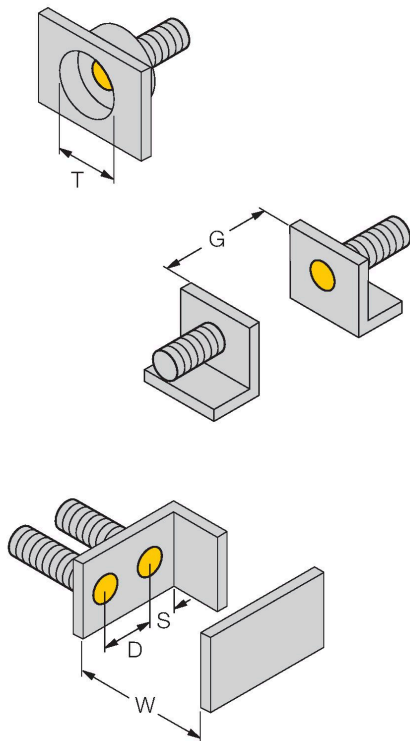
Inductive sensors detect metal objects contactless and wear-free. For this, they use a high-frequency electromagnetic AC field that interacts with the target. Inductive sensors generate this field via an RLC circuit with a ferrite coil.

## Technical data

Active area material	Plastic, PA12-GF20
Max. tightening torque housing nut	5 Nm
Electrical connection	Connector, M12 × 1
Vibration resistance	55 Hz (1 mm)
Shock resistance	30 g (11 ms)
Protection class	IP67
MTTF	2283 years acc. to SN 29500 (Ed. 99) 40 °C
Switching state	LED, Yellow

## Mounting instructions

### Mounting instructions/Description

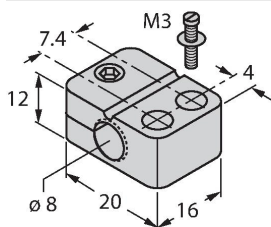


Distance D	2 x B
Distance T	3 x B
Diameter active area	Ø 8 mm
B	

## Accessories

**BST-08B**

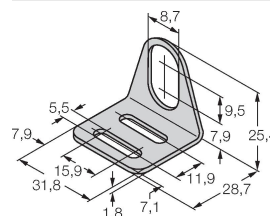
**6947210**



Mounting clamp for threaded barrel sensors, with dead-stop; material: PA6

**MW08**

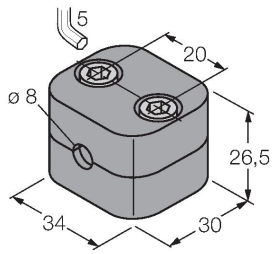
**6945008**



Mounting bracket for threaded barrel sensors; material: Stainless steel A2 1.4301 (AISI 304)

## BSS-08

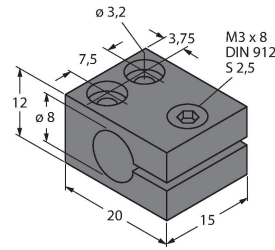
6901322



Mounting clamp for smooth and threaded barrel sensors; material: Polypropylene

## MBS80

69479



Mounting clamp for smooth barrel sensors; mounting block material: Anodized aluminum