

Models 31, 32 & 33

402.969.8000



Models 31, 32, and 33

GO Switch Models 31, 32, and 33 offer end sensing in compact stainless steel enclosures.

Features:

- SPDT 6A contacts
- End Sensing
- 40° to 221°F operating temperature

Options:

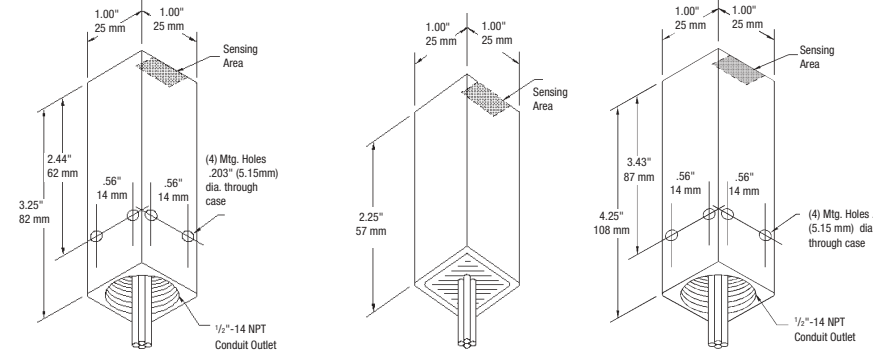
- Suitable for Zone 0, 1, or 2 explosion proof
- Quick disconnect connector

Leverless Limit Switches



Square Switches

Dimensions



Model 31

Model 32

Model 33

Model	Contact Form	Sensing Range	Outlet Position	Enclosure Material	Approvals	Wiring Options																																							
<p>Repeatability: .002" (.05 mm)</p> <p>Response Time: 8 milliseconds</p> <p>Differential: Approx. 1/4" (6 mm)</p> <p>Operating Temperature: -40° to 221°F (-40° to 105°C)</p> <p>31 Size: 1" (25 mm) square x 3 1/4" (81 mm) overall</p> <p>32 Size: 1" (25 mm) square x 2 1/4" (57 mm) overall (includes mounting bracket)</p> <p>33 Size: 1" (25 mm) square x 4 1/4" (108 mm) overall</p> <div style="border: 1px solid black; padding: 5px; margin-top: 10px;"> <p>Need Accessories?</p> <p>See pp. 92-103 for:</p> <ul style="list-style-type: none"> Range Extending Target Magnets Mounting Brackets Connectors and more! </div>	<p>Contact Material: Silver cadmium oxide, gold flashed</p> <p>Form: SPDT, Form C</p> <p>Ratings: Resistive</p> <table border="1" style="margin: 10px auto;"> <thead> <tr> <th>AC</th> <th>DC</th> </tr> <tr> <th>Volts</th> <th>Amperes</th> </tr> </thead> <tbody> <tr> <td>120</td> <td>6</td> </tr> <tr> <td>240</td> <td>3</td> </tr> <tr> <td>480</td> <td>1.5</td> </tr> <tr> <td>250</td> <td>0.25</td> </tr> </tbody> </table> <p><input checked="" type="checkbox"/> 1 Single Pole Double Throw (Form C)</p>	AC	DC	Volts	Amperes	120	6	240	3	480	1.5	250	0.25	<p>Target Material: Ferrous steel</p> <p>Sensing Range: Approx. 1/4" (6 mm)</p> <p>Sensing Range with Target Magnet: up to 2 5/8" (66 mm) (max)</p> <p><input checked="" type="checkbox"/> 7 Precision sensing - approx. 1/4" (6 mm) side sensing (minimal differential)</p> <p>Extended Sensing Range with External Target Magnets (See Accessories for External Target Magnets)</p> <table border="1" style="margin: 10px auto;"> <thead> <tr> <th>Models 31 and 32 Magnet</th> <th>Sensing</th> <th>Differential</th> </tr> </thead> <tbody> <tr> <td>AMP3</td> <td>3/4"</td> <td>1-1/4"</td> </tr> <tr> <td>AMS4</td> <td>1"</td> <td>1-1/2"</td> </tr> <tr> <td>AMC5</td> <td>2-5/8"</td> <td>3-1/2"</td> </tr> <tr> <td>AMF6</td> <td>1-5/8"</td> <td>4-1/4"</td> </tr> </tbody> </table>	Models 31 and 32 Magnet	Sensing	Differential	AMP3	3/4"	1-1/4"	AMS4	1"	1-1/2"	AMC5	2-5/8"	3-1/2"	AMF6	1-5/8"	4-1/4"	<p>Conduit Outlet: 1/2" NPT, bottom. (Model 31 and 33)</p> <p><input type="checkbox"/> 3 No conduit hub (Model 32) (includes mounting bracket)</p> <p><input checked="" type="checkbox"/> 5 Conduit hub on bottom of enclosure with mounting holes (Model 31 and 33)</p>	<p><input checked="" type="checkbox"/> 2 Stainless steel</p> <p><input type="checkbox"/> 4 Stainless steel - corrosion resistant coating (polyurethane)</p>	<p> SAA</p> <p><input checked="" type="checkbox"/> 4 CSA / FM certified explosion proof for CI I, Div 1 & 2; Grps A,B,C,D; CI II, Div 1 & 2, Grps E-G; CI III. (Model 31)</p> <p><input type="checkbox"/> 6 CSA / FM certified explosion proof for CI I, Div 1 & 2; Grps A,B,C,D; CI II, Div 1 & 2, Grps E-G; CI III. (Model 31) (Wiring must be F)</p> <p><input type="checkbox"/> 7 CSA certified General Purpose (Wiring must be A, B, or D)</p> <p><input checked="" type="checkbox"/> 8 UL listed General Purpose</p> <p>A SAA: Ex s IIC T6 IP65; CI I Zone 1 & 2; EX S IIC T6 IP65; CI I Zone 0; DIP CI II (Intrinsically safe with entity approved barrier. Install per NEC Article 501.) (Model 31 and 33) (Wiring must be A)</p>	<p>Lead Wires 18 Gauge (.110" dia.) potted-in PVC insulated AWM / TEW stranded lead wires rated at 221°F (105°C) 600V UL / CSA listed</p> <p><input checked="" type="checkbox"/> A2 36" (914 mm)</p> <p>A3 72" (1829 mm)</p> <p>A4 144" (3658 mm)</p> <p>A ___ Lengths greater than 144" (Specify length in feet (e.g. A150 = 150 ft. of leads))</p> <p>Cable 18 Gauge (.250" dia.) potted-in PVC rubber covered cable rated at 194°F (90°C) 600V UL / CSA listed</p> <p>B2 36" (914 mm)</p> <p>B3 72" (1829 mm)</p> <p>B4 144" (3658 mm)</p> <p>B ___ Lengths greater than 144" (Specify length in feet (e.g. B150 = 150 ft. of cable))</p> <p>Quick Disconnect Male Quick Disconnect only, potted-in connector. (CSA requires a case ground) (Approval must be 7 or 8) (Model 31 only and 33) Refer to pp. 92-103 for mating cable assemblies and Aura Light Adapters.</p> <table border="0" style="width: 100%; margin: 10px auto;"> <tr> <td colspan="2" style="text-align: center;">Mini-change®</td> <td colspan="2" style="text-align: center;">Micro-change®</td> </tr> <tr> <td>DCA 3 - pin Mini-change® type</td> <td>DBA 3 - pin Micro-change® type</td> <td>DCD 4 - pin Mini-change® type</td> <td>DBD 4 - pin Micro-change® type</td> </tr> <tr> <td>DCG 5 - pin Mini-change® type</td> <td>DBG 5 - pin Micro-change® type</td> <td></td> <td></td> </tr> </table> <p>HiTemp Wire 18 gauge (.070" dia.) potted-in Teflon™ insulated leads rated at 482°F (250°C) 600V UL / CSA listed</p> <p>F2 36" (914 mm)</p> <p>F3 72" (1829 mm)</p> <p>F4 144" (3658 mm)</p> <p>F ___ Lengths greater than 144" (Specify length in feet (e.g. F150 = 150 ft. of leads))</p>	Mini-change®		Micro-change®		DCA 3 - pin Mini-change® type	DBA 3 - pin Micro-change® type	DCD 4 - pin Mini-change® type	DBD 4 - pin Micro-change® type	DCG 5 - pin Mini-change® type	DBG 5 - pin Micro-change® type		
AC	DC																																												
Volts	Amperes																																												
120	6																																												
240	3																																												
480	1.5																																												
250	0.25																																												
Models 31 and 32 Magnet	Sensing	Differential																																											
AMP3	3/4"	1-1/4"																																											
AMS4	1"	1-1/2"																																											
AMC5	2-5/8"	3-1/2"																																											
AMF6	1-5/8"	4-1/4"																																											
Mini-change®		Micro-change®																																											
DCA 3 - pin Mini-change® type	DBA 3 - pin Micro-change® type	DCD 4 - pin Mini-change® type	DBD 4 - pin Micro-change® type																																										
DCG 5 - pin Mini-change® type	DBG 5 - pin Micro-change® type																																												
Model	Contact Form 1	Sensing Range 7	Outlet Position	Enclosure Material	Approvals	Wiring Options																																							

Ordering Guide

Fill in the boxes to create your 'ordering number.'