



Safety switch TZ with guard locking and guard locking monitoring

- ▶ Without mechanical release
- ▶ Protective plate for switch head optional
- ▶ Two LED indicators, red and green
- ▶ Plug connector optional
- ▶ Actuator head fitted left or right



Approach direction

Horizontal
Adjustable in 90° steps

Protective plate for switch head

Makes it more difficult to tamper with the switch.

Solenoid operating voltage and LED function display

The following voltage ranges are available:

- ▶ 24 V AC/DC -15%, +10%

Guard locking types

TZ1 Closed-circuit current principle, guard locking by spring force. Release by applying voltage to the solenoid.

Switching elements (see also page 13/14)

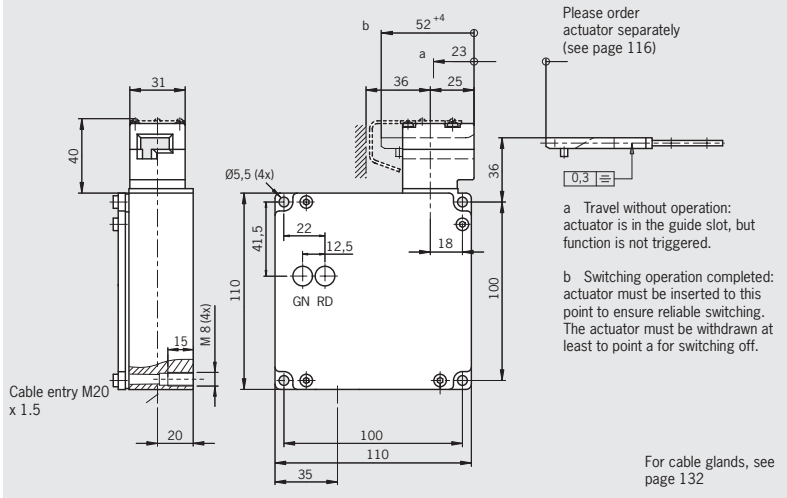
SK For monitoring the door/actuator position
ÜK For monitoring the guard locking (built-in solenoid)

For combinations available, see ordering table:

- ▶ **528H** Slow-action switching contact
1 NC ⊕ + 1 NO
- ▶ **2121H** Slow-action switching contact
4 NC ⊕
- ▶ **2131H** Slow-action switching contact
3 NC ⊕ + 1 NO
- ▶ **3131H** Slow-action switching contact
2 NC ⊕ + 2 NO

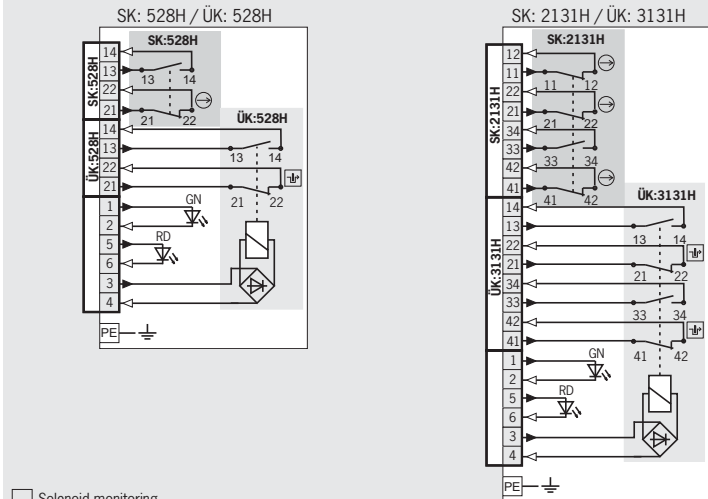
Cable entry M20 x 1.5

Dimension drawings (actuator head on the left is a mirror image)



For cable glands, see page 132

Wiring diagrams actuator inserted and locked



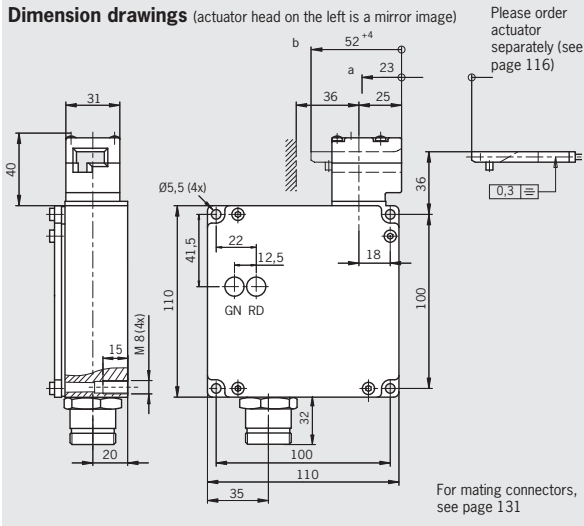
For switching functions, see technical data on page 18085

Ordering table

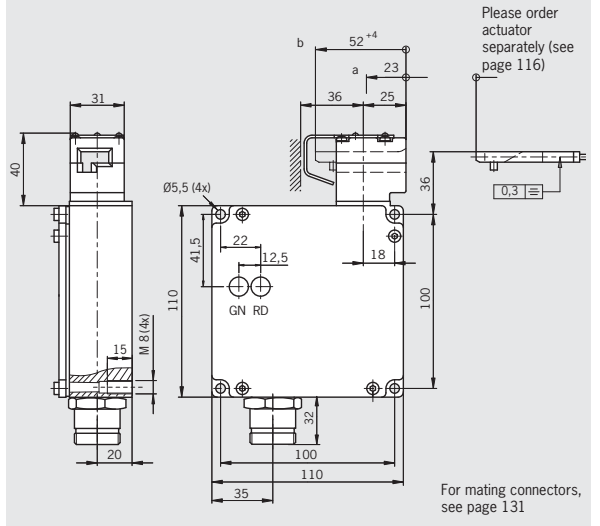
Series	Connection	Guard locking	Switch head	Switching element	Version	Black cover
						24 V
TZ	M20x1.5	1 Mechanical	LE Left	SK: 528H, 1 NC ⊕ + 1 NO ÜK: 528H, 1 NC ⊕ + 1 NO	Without mechanical release, with protective plate	083246 TZ1LE024M-C1623
				SK: 2131H, 3 NC ⊕ + 1 NO ÜK: 3131H, 2 NC ⊕ + 2 NO	Without mechanical release, with protective plate	085170 TZ1LE024MVAB-C1623
				SK: 2131H, 3 NC ⊕ + 1 NO ÜK: 3131H, 2 NC ⊕ + 2 NO	Without mechanical release	096052 TZ1LE024MVAB-RC2100
			RE Right	SK: 528H, 1 NC ⊕ + 1 NO ÜK: 528H, 1 NC ⊕ + 1 NO	Without mechanical release, with protective plate	083247 TZ1RE024M-C1623
				SK: 2131H, 3 NC ⊕ + 1 NO ÜK: 3131H, 2 NC ⊕ + 2 NO	Without mechanical release, with protective plate	085171 TZ1RE024MVAB-C1623
				SK: 2131H, 3 NC ⊕ + 1 NO ÜK: 3131H, 2 NC ⊕ + 2 NO	Without mechanical release	096051 TZ1RE024MVAB-RC2100



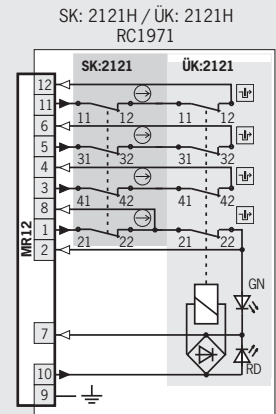
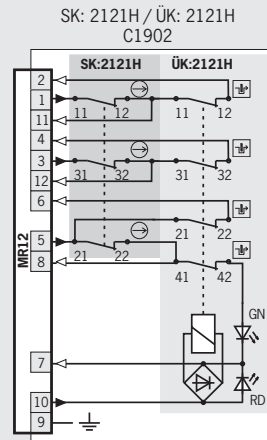
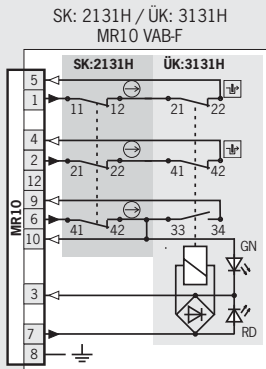
Plug connector MR10 9-pin + PE



Plug connector MR12 11-pin + PE



Wiring diagrams actuator inserted and locked



For switching functions, see technical data on page 18086

Solenoid monitoring
 Door monitoring

For switching functions, see technical data on page 18086

Solenoid monitoring
 Door monitoring

Ordering table

Series	Connection	Guard locking	Switch head	Switching element	Version	Red cover
						24 V
TZ	MR10 Plug connector	1 Mechanical	LE Left	SK: 2131H, 3 NC ⊕ ÜK: 3131H, 2 NC ⊕ + 1 NO	Without mechanical release	095902 TZ1LE024MVAB-10C-FW
			RE Right	SK: 2131H, 3 NC ⊕ ÜK: 3131H, 2 NC ⊕ + 1 NO	Without mechanical release	095903 TZ1RE024MVAB-10C-FW
	MR12 Plug connector	1 Mechanical	LE Left	SK: 2121H, 4 NC ⊕ ÜK: 2121H, 4 NC ⊕	Without mechanical release, with protective plate C1971	079692 TZ1LE024BHA-C1902
			RE Right	SK: 2121H, 4 NC ⊕ ÜK: 2121H, 4 NC ⊕	Alternative wiring, without mechanical release with protective plate	085569 TZ1LE024BHAVFG-RC1971
					Without mechanical release, with protective plate	079693 TZ1RE024BHA-C1902
			Alternative wiring, without mechanical release with protective plate	085570 TZ1RE024BHAVFG-RC1971		