

**MICRO SWITCH**  
 FREEPORT, ILLINOIS, U.S.A.  
 A DIVISION OF HONEYWELL  
 FED. MFG. CODE 91938

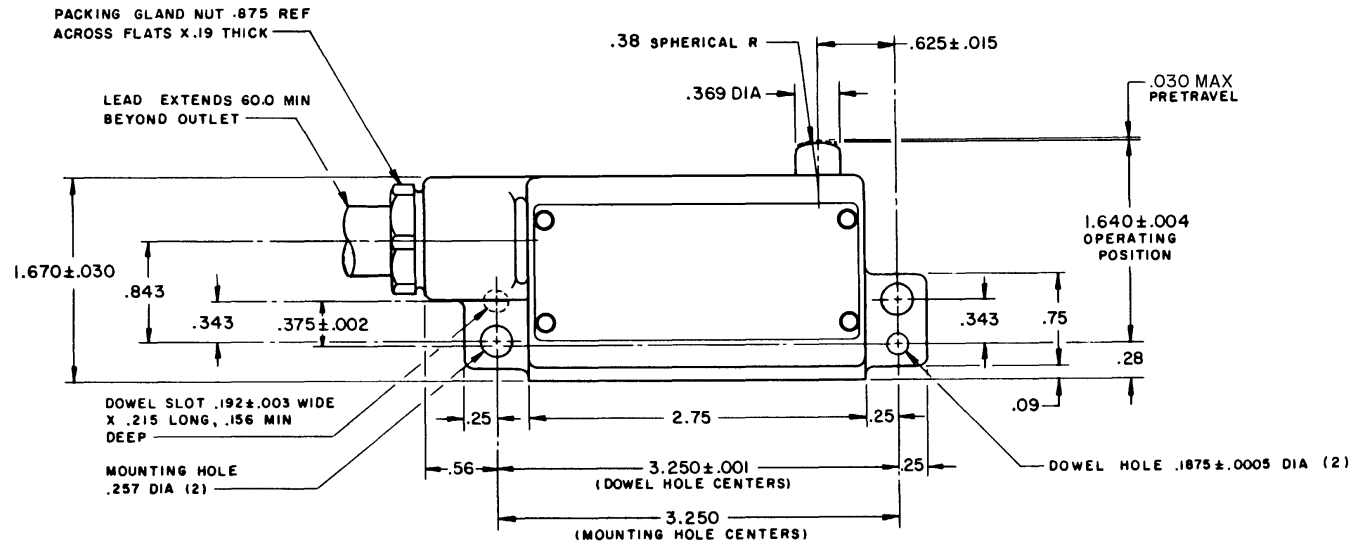
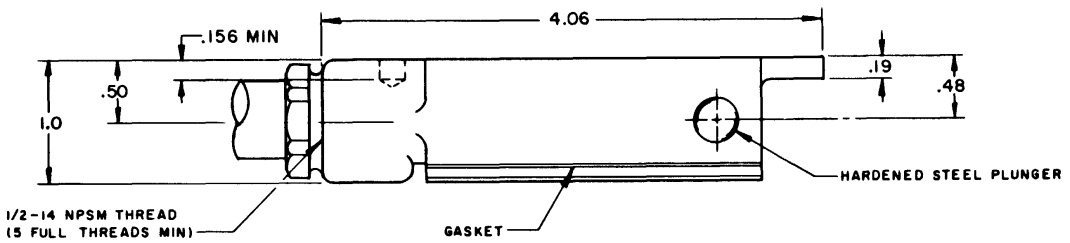
**SWITCH- ENCLOSED**

CATALOG LISTING  
**BZLN-5-RH**

**M BZLN-5-RH**

REPLACES  
 DRAWING NUMBER  
 ISSUE

REVISIONS  
 A CO 19597  
 M B F  
 2 NOV 64  
 B CO 50714  
 G J W  
 26 APR 82  
 C CO 55988  
 M A M  
 31 OCT 84  
 D CO 66766  
 M A M  
 5 APR 90  
 E CO-81715  
 J A K  
 26 SEP 95



THIS DRAWING COVERS A PROPRIETARY ITEM AND IS THE PROPERTY OF MICRO SWITCH, A DIVISION OF MINNEAPOLIS-HONEYWELL REGULATOR CO. THIS DRAWING IS NOT TO BE COPIED OR USED WITHOUT THE APPROVAL OF MICRO SWITCH.

CHARACTERISTICS	ELECTRICAL DATA	SCALE FULL
OPERATING FORCE ----- 5 LB MAX	CONTACT ARRANGEMENT S P D T	DO NOT SCALE PRINT
RELEASE FORCE ----- 1 LB MIN	L257	UNLESS OTHERWISE NOTED
DIFFERENTIAL TRAVEL ---- .004 MAX	10A 125, 250 OR 480 VAC	DIMENSIONS ARE IN INCHES
OVERTRAVEL ----- .203 MIN	1/8 HP 125 VAC, 1/4 HP 250 VAC	<b>TOLERANCES ARE:</b>
	1/2A 125 VDC, 1/4A 250 VDC	ONE PLACE (.0) ± .030
		TWO PLACE (.00) ± .015
		THREE PLACE (.000) ± .008
		ANGLES ±
		WEIGHT

WIRING CONNECTIONS—  
 COMMON — BLACK LEAD  
 NORMALLY OPEN — RED LEAD  
 NORMALLY CLOSED — WHITE LEAD  
 DISCONNECTED — GREEN LEAD

