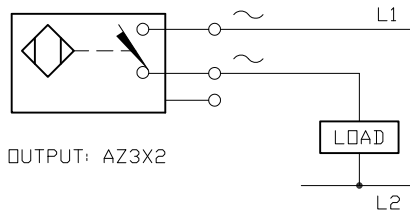


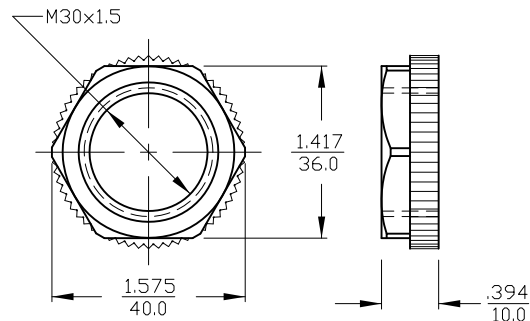
WIRING DIAGRAMS



OUTPUT: AZ3X2

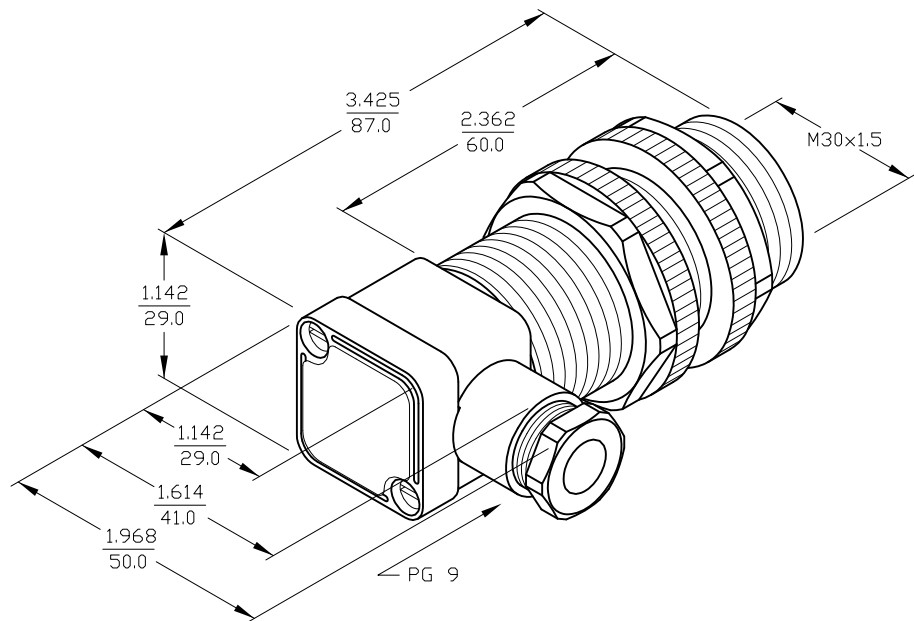
WARNING: NO SHORT-CIRCUIT PROTECTION.
ALWAYS WIRE A LOAD IN SERIES WITH THE SENSOR.

LOCKNUT LN-P30



SPECIFICATIONS

OPERATING VOLTAGE	20-250 VAC/DC
LINE FREQUENCY	40-60 Hz
DIFFERENTIAL TRAVEL (HYSTERESIS)	3-15% (5% TYPICAL)
VOLTAGE DROP ACROSS CONDUCTING SENSOR	≤7.0 V at 500 mA
OUTPUT FUNCTION -AZ	NORMALLY OPEN 2-WIRE AC SELF-CONTAINED
SHORT-CIRCUIT PROTECTED	NO
CONTINUOUS LOAD CURRENT	≤500 mA
LEAKAGE (OFF-STATE) CURRENT	≤1.7 mA
MINIMUM LOAD CURRENT	≥5.0 mA
INRUSH CURRENT	≤8.0 A (≤10 ms/5 Hz)
TIME DELAY BEFORE AVAILABILITY	≤25 ms
POWER-ON EFFECT PROTECTION	INCORPORATED
PROTECTION AGAINST TRANSIENTS	5 kV, 10 ms, 10 kΩ
OPERATING TEMPERATURE	-25°C to +70°C (-13°F to +158°F)
ENCLOSURE	MEETS NEMA 1, 3, 4, 6, 13 AND IEC IP67
SHOCK	30 g, 11 ms
VIBRATION	55 Hz, 1 mm AMPLITUDE (IN ALL 3 PLANES)
LED FUNCTION	GREEN: POWER ON RED: OUTPUT ENERGIZED
SENSING RANGE	15 mm = .591" (NOMINAL)
SWITCHING FREQUENCY	20 Hz
REPEATABILITY	≤2% of NOMINAL SENSING RANGE
SHIELDED	NO



MATERIAL PA 12-GF30 PLASTIC BARREL		3RD ANGLE PROJECTION		 3000 CAMPUS DRIVE MINNEAPOLIS, MN 55441 PHONE: (612) 553-9224	
FINISH					
DRWN GMB	DATE 2/23/88	PART NO. Ni15-P30SK-AZ3X2			
CHKD	DATE	SIZE B ID NO. 4356500 REV C			
TMI		DIMENSIONS ARE IN INCHES		SCALE NONE BPTC-A\4356500 SHEET ___ OF ___	
		mm			

ECD 18320

C	UPDATE OPERATING VOLTAGE, SEE ECD	RWC	08/09/07	
REV	DESCRIPTION	DRFT	DATE	CHKD
REVISIONS				