

no longer available - archive entry

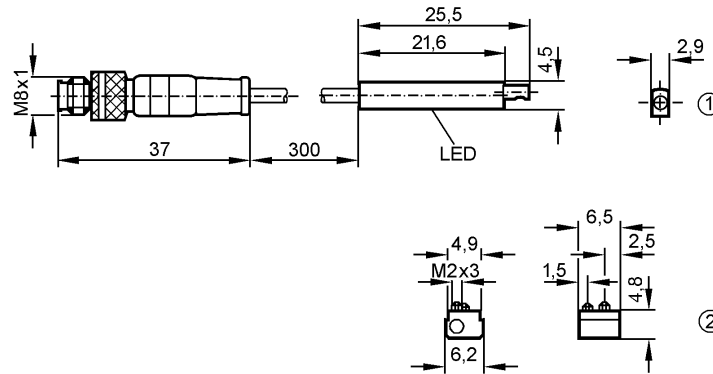
efector120

ZZ0068



SET MK5056

Magnetic sensors, cylinder sensors



1: Sensor

2: slot nut



Product characteristics

Cylinder sensor

Plastic housing for T-slot cylinders

Cable with connector

Magnetic sensitivity 2.5 mT

Travel speed max. 5 m/s

Active face at the front

Electrical data

Electrical design

DC PNP

Operating voltage [V]

10...30 DC

Current consumption [mA]

< 12

Reverse polarity protection

yes

Outputs

Output function

normally open

Voltage drop [V]

< 3.1

Current rating [mA]

100

Short-circuit protection

yes (non-latching)

Overload protection

yes

Switching frequency [Hz]

10000

Monitoring range

Magnetic sensitivity [mT]

2.5

Travel speed [m/s]

max. 5

Accuracy / deviations

Hysteresis [mm]

1...2

Repeatability [mm]

0.1

Reaction times

Power-on delay time [ms]

< 1

Environment

Ambient temperature [°C]

-25...70

Protection

IP 67

Tests / approvals

EMC

EN 60947-5-2

Shock / vibration resistance

30 g (11 ms) / 10-55 Hz (1 mm)

Mechanical data

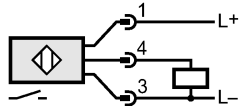
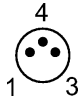
sensing face

Active face at the front

ZZ0068 - Cylinder sensor - eclass: 27270104 / 27-27-01-04

Housing materials		LCP
Weight	[kg]	0.03
Displays / operating elements		
Output status indication	LED	yellow
Electrical connection		
Connection		PUR cable / 0.3 m; with M8 connector

Wiring



Remarks

Pack quantity	[piece]	1
---------------	---------	---

ifm efector, inc. • 1100 Atwater Drive • Malvern • PA 19355 — We reserve the right to make technical alterations without prior notice. — US — ZZ0068 — 06.03.2003
no longer available - archive entry