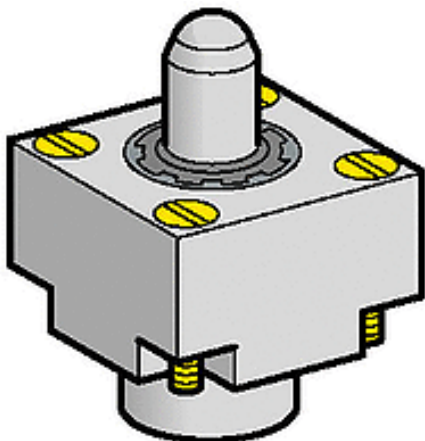




Product availability : Stock - Normally stocked in distribution facility



Main

Range of product	OsiSense XC
Series name	Standard format
Product or component type	Limit switch head
Device short name	ZCKE
Head type	Plunger head
Product compatibility	XCKJ
Associated body	ZCKJD35H29 ZCKJ1 ZCKJ8 ZCKJ6 ZCKJ6H7 ZCKJ9 ZCKJD31 ZCKJD39H29 ZCKJ11 ZCKJ9H29 ZCKJ21H7 ZCKJ4 ZCKJ21 ZCKJ5H29 ZCKJ2H29 ZCKJ1H7 ZCKJ8H7 ZCKJ6H29 ZCKJD37H29 ZCKJD37 ZCKJ41 ZCKJD35 ZCKJ7H29 ZCKJD39 ZCKJ8H29 ZCKJD37H7 ZCKJ5H7 ZCKJ2H7 ZCKJ9H7

Disclaimer: This documentation is not intended as a substitute for and is not to be used for determining suitability or reliability of these products for specific user applications

ZCKJD35H7
 ZCKJ7
 ZCKJD31H29
 ZCKJ4H7
 ZCKJD31H7
 ZCKJ41H7
 ZCKJ5
 ZCKJ41H29
 ZCKJD39H7
 ZCKJ11H29
 ZCKJ21H29
 ZCKJ1H29
 ZCKJ11H7
 ZCKJ4H29
 ZCKJ7H7
 ZCKJ2

Movement of operating head	Linear
Type of operator	End plunger spring return metal (ball bearing mounted)
Type of approach	Multi-directional approach

Complementary

Switch actuation	By 30° cam
Positive opening	With
Head material	Metal

Environment

Ambient air temperature for operation	-13...158 °F (-25...70 °C)
Ambient air temperature for storage	-40...158 °F (-40...70 °C)
Environmental characteristic	Standard environment

Ordering and shipping details

Category	22411 - LIMIT SWITCHES,IEC,XCKJ
Discount Schedule	T
GTIN	00785901646174
Nbr. of units in pkg.	1
Package weight(Lbs)	0.8000000000000004
Returnability	Y
Country of origin	FR

Offer Sustainability

Sustainable offer status	Green Premium product
RoHS (date code: YYWW)	Compliant - since 1014 - Schneider Electric declaration of conformity Schneider Electric declaration of conformity
REACH	Reference not containing SVHC above the threshold Reference not containing SVHC above the threshold
Product end of life instructions	Need no specific recycling operations

Contractual warranty

Warranty period	18 months
-----------------	-----------