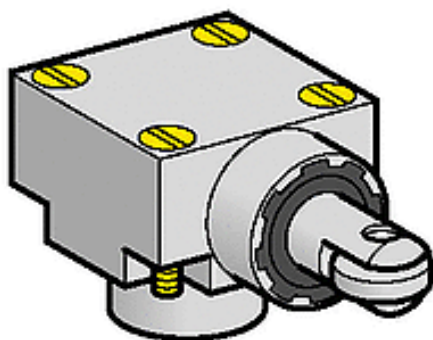




Product availability : Stock - Normally stocked in distribution facility



## Main

Range of product	OsiSense XC
Series name	Standard format
Product or component type	Limit switch head
Device short name	ZCKE
Head type	Plunger head
Product compatibility	XCKJ
Associated body	ZCKJ7H29 ZCKJ9H29 ZCKJ6 ZCKJ21 ZCKJD39 ZCKJ1 ZCKJ1H7 ZCKJ6H7 ZCKJ2H7 ZCKJD35 ZCKJ11H7 ZCKJ21H29 ZCKJD37 ZCKJD37H29 ZCKJ2H29 ZCKJ8 ZCKJD31 ZCKJ5 ZCKJD35H7 ZCKJ5H7 ZCKJD39H7 ZCKJ21H7 ZCKJD31H7 ZCKJ8H29 ZCKJ9 ZCKJD37H7 ZCKJD35H29 ZCKJD31H29 ZCKJ11H29

Disclaimer: This documentation is not intended as a substitute for and is not to be used for determining suitability or reliability of these products for specific user applications

ZCKJ1H29  
ZCKJ9H7  
ZCKJ2  
ZCKJ8H7  
ZCKJ5H29  
ZCKJD39H29  
ZCKJ7H7  
ZCKJ6H29  
ZCKJ11  
ZCKJ7

Movement of operating head	Linear
Type of operator	Side roller plunger spring return metal (with horizontal roller)
Type of approach	Lateral approach 2 directions

### Complementary

Switch actuation	By 30° cam
Positive opening	With
Head material	Metal

### Environment

Ambient air temperature for operation	-13...158 °F (-25...70 °C)
Ambient air temperature for storage	-40...158 °F (-40...70 °C)
Environmental characteristic	Standard environment

### Ordering and shipping details

Category	22411 - LIMIT SWITCHES,IEC,XCKJ
Discount Schedule	T
GTIN	00785901256472
Nbr. of units in pkg.	1
Package weight(Lbs)	0.8000000000000004
Returnability	Y
Country of origin	ID

### Offer Sustainability

Sustainable offer status	Green Premium product
RoHS (date code: YYWW)	Compliant - since 0951 - Schneider Electric declaration of conformity <a href="#">Schneider Electric declaration of conformity</a>
REACH	Reference not containing SVHC above the threshold <a href="#">Reference not containing SVHC above the threshold</a>
Product end of life instructions	Need no specific recycling operations

### Contractual warranty

Warranty period	18 months
-----------------	-----------