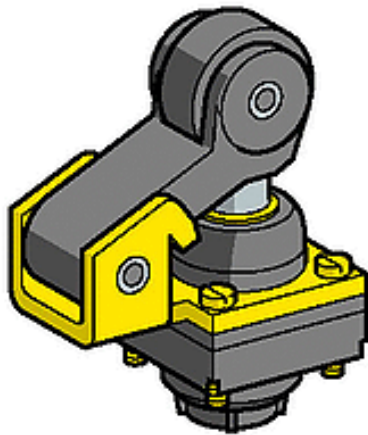


ZCKD21

limit switch head ZCKD - thermoplastic roller lever
plunger horizontal direction

Product availability : Stock - Normally stocked in distribution facility



Main

Range of product	OsiSense XC
Series name	Standard format
Product or component type	Limit switch head
Device short name	ZCKD
Head type	Plunger head
Product compatibility	XCKL XCKM
Associated body	ZCKLD35 ZCKLD39 ZCKM6H7 ZCKL8H7 ZCKL1H7 ZCKMD37 ZCKLD37H7 ZCKLD31H7 ZCKMD39 ZCKM9H29 ZCKLD37 ZCKM5H7 ZCKL6H7 ZCKL7H7 ZCKM8H7 ZCKL1 ZCKMD31H29 ZCKM5 ZCKMD39H7 ZCKM1H29 ZCKM9 ZCKMD35H7 ZCKL7 ZCKMD35H29 ZCKM7H7 ZCKMD37H29 ZCKM5H29 ZCKLD39H7

Disclaimer: This documentation is not intended as a substitute for and is not to be used for determining suitability or reliability of these products for specific user applications

ZCKMD35
 ZCKLD31
 ZCKM1
 ZCKM6H29
 ZCKM8
 ZCKM8H29
 ZCKM7H29
 ZCKM1H7
 ZCKM7
 ZCKL8
 ZCKMD31
 ZCKL6
 ZCKL5H7
 ZCKM6
 ZCKL5
 ZCKMD37H7
 ZCKMD39H29
 ZCKLD35H7
 ZCKMD31H7

Movement of operating head	Rotary Linear
Type of operator	Roller lever plunger spring return thermoplastic
Type of approach	Lateral approach 1 direction

Complementary

Switch actuation	By 30° cam
Positive opening	With
Head material	Plastic

Environment

Ambient air temperature for operation	-13...158 °F (-25...70 °C)
Ambient air temperature for storage	-40...158 °F (-40...70 °C)
Environmental characteristic	Standard environment

Ordering and shipping details

Category	22416 - LIMIT SWITCHES,IEC,XCKL
Discount Schedule	T
GTIN	00785901646723
Nbr. of units in pkg.	1
Package weight(Lbs)	0.10000000000000001
Returnability	Y
Country of origin	ID

Offer Sustainability

Sustainable offer status	Green Premium product
RoHS (date code: YYWW)	Compliant - since 1012 - Schneider Electric declaration of conformity Schneider Electric declaration of conformity
REACH	Reference not containing SVHC above the threshold Reference not containing SVHC above the threshold
Product end of life instructions	Need no specific recycling operations

Contractual warranty

Warranty period	18 months
-----------------	-----------