



Product availability : Stock - Normally stocked in distribution facility



### Main

Range of product	Preventa Safety automation
Product or component type	Preventa safety module
Safety module name	XPSBF
Safety module application	For electrical monitoring of two-hand control stations
Function of module	Monitoring two-hand control station and a foot switch
Safety level	Can reach PL e/category 4 conforming to EN/ISO 13849-1 Can reach SILCL 3 conforming to EN/IEC 62061
Safety reliability data	DC > 99 % conforming to EN/ISO 13849-1 MTTFd = 50.1 years conforming to EN/ISO 13849-1 PFHd = 1.3E-8 1/h conforming to EN/IEC 62061
Connections - terminals	Captive screw clamp terminals, removable terminal block, clamping capacity: 1 x 0.25...1 x 2.5 mm <sup>2</sup> flexible cable with cable end, without bezel Captive screw clamp terminals, removable terminal block, clamping capacity: 1 x 0.25...1 x 1.5 mm <sup>2</sup> flexible cable with cable end, with bezel Captive screw clamp terminals, removable terminal block, clamping capacity: 2 x 0.25...2 x 1 mm <sup>2</sup> flexible cable with cable end, without bezel Captive screw clamp terminals, removable terminal block, clamping capacity: 2 x 0.5...2 x 1.5 mm <sup>2</sup> flexible cable with cable end, with double bezel Captive screw clamp terminals, removable terminal block, clamping capacity: 1 x 0.14...1 x 2.5 mm <sup>2</sup> flexible cable without cable end Captive screw clamp terminals, removable terminal block, clamping capacity: 1 x 0.14...1 x 2.5 mm <sup>2</sup> solid cable without cable end Captive screw clamp terminals, removable terminal block, clamping capacity: 2 x 0.14...2 x 0.75 mm <sup>2</sup> flexible cable without cable end Captive screw clamp terminals, removable terminal block, clamping capacity: 2 x 0.14...2 x 0.75 mm <sup>2</sup> solid cable without cable end
Output type	Relay 2 NO, volt-free
Number of additional circuits	2 solid state outputs
[Us] rated supply voltage	24 V DC (- 20...20 %)

### Complementary

Synchronisation time between inputs	0.5 s
-------------------------------------	-------

Power consumption in W	<= 2.5 W
Input protection type	Internal, electronic
Number of inputs	1 NC + NO
Input compatibility	Two-hand control conforming to EN 574/ISO 13851-III C
[Uc] control circuit voltage	24 V DC
Breaking capacity	C300: holding 180 VA AC-15 relay output C300: inrush 1800 VA AC-15 relay output
Breaking capacity	1.5 A/24 V - L/R = 50 ms, DC-13 relay output 20 mA / 24 V solid state output circuit
Output thermal current	4.2 A per relay relay output
[Ith] conventional free air thermal current	<= 8.4 A
Associated fuse rating	4 A gG relay output conforming to EN/IEC 60947-5-1, DIN VDE 0660 part 200 6 A fast blow relay output conforming to EN/IEC 60947-5-1, DIN VDE 0660 part 200
Minimum output current	10 mA relay output
Minimum output voltage	17 V relay output
Response time on input open	<= 20 ms
[Ui] rated insulation voltage	300 V, degree of pollution 2 conforming to IEC 60947-5-1 300 V, degree of pollution 2 conforming to DIN VDE 0110 part 1
[Uimp] rated impulse withstand voltage	4 kV overvoltage category III, conforming to IEC 60947-5-1 4 kV overvoltage category III, conforming to DIN VDE 0110 part 1
Local signalling	3 LEDs
Current consumption	8 mA / 24 V DC on power supply
Mounting support	35 mm symmetrical DIN rail
Product weight	0.33 lb(US) (0.15 kg)

## Environment

Standards	EN/IEC 60204-1 EN 574 type III C/ISO 13851 EN/IEC 60947-5-1
Product certifications	UL TÜV CSA
IP degree of protection	IP20(Terminals) conforming to EN/IEC 60529 IP40(Enclosure) conforming to EN/IEC 60529
Ambient air temperature for operation	14...131 °F (-10...55 °C)
Ambient air temperature for storage	-13...185 °F (-25...85 °C)

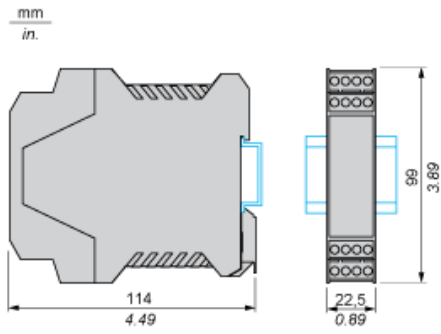
## Ordering and shipping details

Category	22477 - SAFETY MODULES (PREVENTA)
Discount Schedule	SAF2
GTIN	00785901629832
Nbr. of units in pkg.	1
Package weight(Lbs)	0.4799999999999998
Returnability	Y
Country of origin	ID

## Contractual warranty

Warranty period	18 months
-----------------	-----------

Dimensions



## Wiring Diagrams

### Refer to the Instruction Sheet

To download the instruction sheet, follow below procedure:

**XPSAC5121**  
module XPSAC - Emergency stop - 24 V AC DC  
[Download XPSAC5121 product datasheet](#)

Download & Documents 1 to 3 of 3 (Total: -1)

**Instruction sheet**

XPSAC... Safety module for emergency stop and switch monitoring	English 2012-07-04	pdf (29; ▾)
---	--------------------	-------------

**Image of product**

Emergency stop and switch monitoring	2010-11-10	{Select : ▾}
--------------------------------------	------------	--------------

**Certificate**

Russian certificate	English 2010-07-07	pdf (60; ▾)
---------------------	--------------------	-------------

1

2

- 1 Click on Download & Documents.
- 2 Click on Instruction sheet.