



Product availability : Stock - Normally stocked in distribution facility



### Main

Range of product	Harmony XAC
Product or component type	Contact block
Component name	XESB
Electrical circuit type	Control circuit
Contact block application	Single speed
Contact block type	Single
Type of operator	Spring return
Product compatibility	XAB91... XACM XACB
Mechanical interlocking	Without mechanical interlock
Mounting of block	Front mounting
Contact operation	Snap action

### Complementary

Connections - terminals	Screw clamp terminals, connection capacity: 1 x 2.5 mm <sup>2</sup> with or without cable end Screw clamp terminals, connection capacity: 2 x 1.5 mm <sup>2</sup> with or without cable end
Mechanical durability	1000000 cycles
Contact code designation	A300 AC-15, U <sub>e</sub> = 240 V, I <sub>e</sub> = 3 A conforming to IEC 60947-5-1 appendix A Q300 DC-13, U <sub>e</sub> = 250 V, I <sub>e</sub> = 0.27 A conforming to IEC 60947-5-1 appendix A
[I <sub>th</sub> ] conventional enclosed thermal current	10 A
[U <sub>i</sub> ] rated insulation voltage	500 V (degree of pollution: 3) conforming to IEC 60947-1
[U <sub>imp</sub> ] rated impulse withstand voltage	6 kV conforming to IEC 60947-1
Resistance across terminals	<= 25 MOhm
Operating force	15 N 25 N
Short circuit protection	10 A fuse protection by cartridge fuse type gG

Rated operational power in W	140 W DC-13 for 1000000 cycles, operating rate = 60 cyc/mn at 24 V, load factor = 0.5 (inductive load) conforming to IEC 60947-5-1 appendix C 140 W DC-13 for 1000000 cycles, operating rate = 60 cyc/mn at 48 V, load factor = 0.5 (inductive load) conforming to IEC 60947-5-1 appendix C 95 W DC-13 for 1000000 cycles, operating rate = 60 cyc/mn at 120 V, load factor = 0.5 (inductive load) conforming to IEC 60947-5-1 appendix C
Rated operational power in VA	100 VA AC-15 for 1000000 cycles, operating rate = 60 cyc/mn at 48 V 50/60 Hz, load factor = 0.5 (inductive load) 450 VA AC-15 for 1000000 cycles, operating rate = 60 cyc/mn at 127 V 50/60 Hz, load factor = 0.5 (inductive load) 50 VA AC-15 for 1000000 cycles, operating rate = 60 cyc/mn at 24 V 50/60 Hz, load factor = 0.5 (inductive load) 750 VA AC-15 for 1000000 cycles, operating rate = 60 cyc/mn at 230 V 50/60 Hz, load factor = 0.5 (inductive load)
Terminals description ISO n°1	(3-4-1-2)OF
Terminal identifier	(13-14)NO (11-12)NC

## Environment

Standards	CSA C22.2 No 14 EN 60947-5-1 IEC 60947-5-1
Ambient air temperature for operation	-13...158 °F (-25...70 °C)
Ambient air temperature for storage	-40...158 °F (-40...70 °C)
Vibration resistance	15 gn (f = 10...500 Hz) conforming to IEC 60068-2-6
Shock resistance	100 gn conforming to IEC 60068-2-27
Electrical shock protection class	Class II conforming to IEC 61140

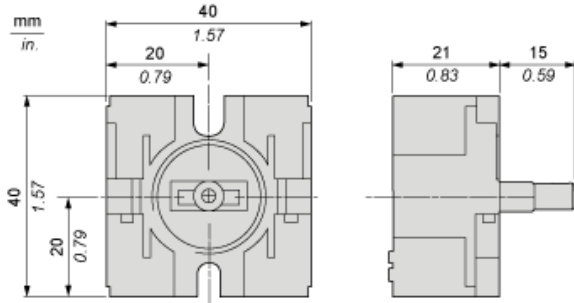
## Ordering and shipping details

Category	22466 - PUSHBUTTON, ACCESSORIES
Discount Schedule	CS2
GTIN	00785901289418
Nbr. of units in pkg.	1
Package weight(Lbs)	5.999999999999998E-2
Returnability	Y
Country of origin	CZ

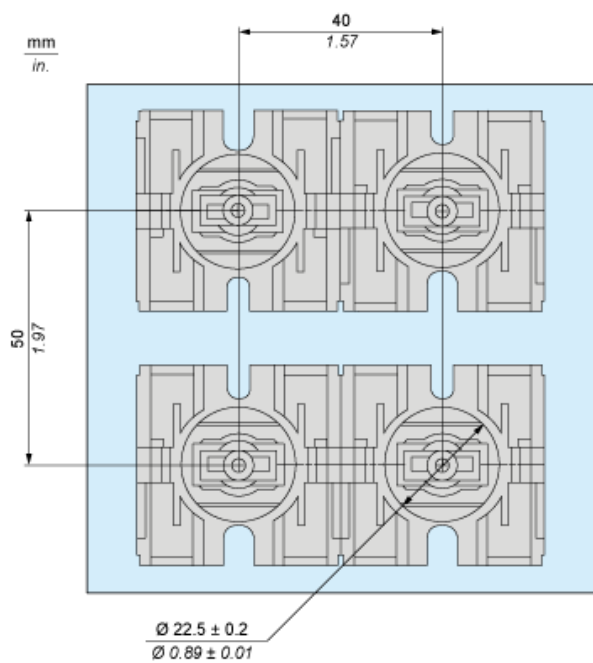
## Contractual warranty

Warranty period	18 months
-----------------	-----------

Dimensions



Mounting



---

Rated Operational Power

---

AC Supply 50/60 Hz

Operating rate: 3600 operating cycles/hour. Load factor: 0.5.

Power broken in VA for 1 million operating cycles, AC-15 utilization category

Voltage	V	24	48	127	230
Inductive circuit	W	50	100	450	750

DC Supply

Operating rate: 3600 operating cycles/hour. Load factor: 0.5.

Power broken in W for 1 million operating cycles, DC-13 utilization category

Voltage	V	24	48	120
Inductive circuit	W	140	140	95