



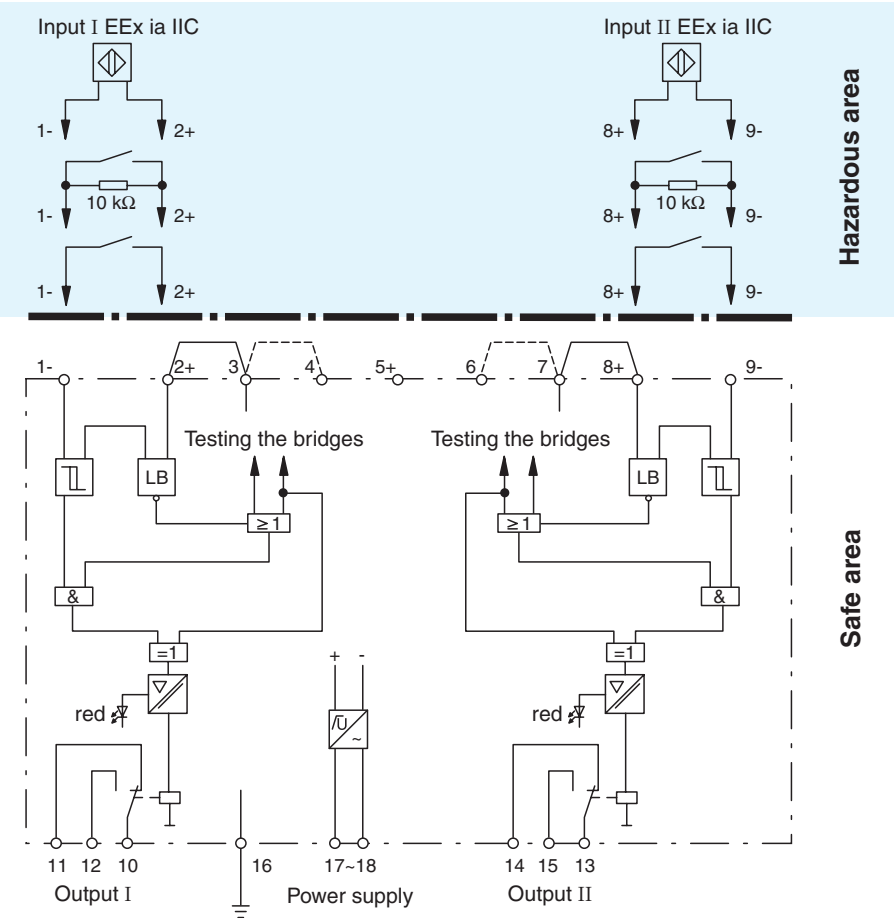
- 2-channel
- Control circuit EEx ia IIC
- 230 V AC supply voltage
- Reversible mode of operation
- Lead breakage (LB) monitoring
- 1 relay output with 1 changeover contact per channel

WE 77/Ex-2 230V

Function

The transformer isolated barrier transfers digital signals into hazardous areas. Sensors per EN 60947-5-6 (NAMUR) or mechanical contacts may be used as transmitters. The control circuit is monitored for lead breakage (LB).

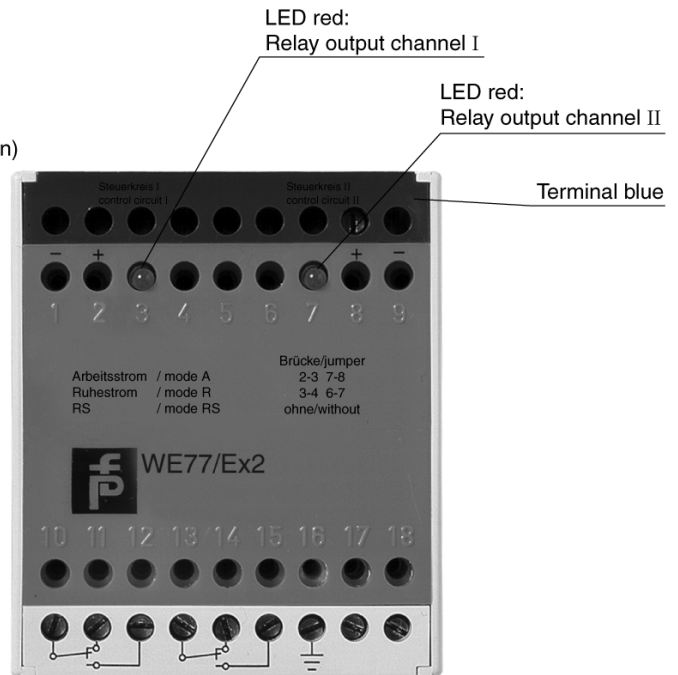
Connection



Composition

Front View

Housing type W2
(see system description)




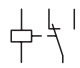

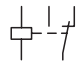

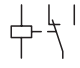

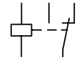
Release date 2017-08-09 15:02 Date of issue 2017-08-10 129198_eng.xml

| | |
|--|---|
| General specifications | |
| Signal type | Digital Input |
| Supply | |
| Connection | terminals 17, 18 |
| Rated voltage U_r | 198 ... 253 V AC ; 45 ... 65 Hz |
| Power dissipation | 2.5 W |
| Power consumption | approx. 3.2 VA |
| Input | |
| Connection side | field side |
| Connection | terminals 1-, 2+; 8+, 9- |
| Rated values | acc. to EN 60947-5-6 (NAMUR), see system description for electrical data |
| Open circuit voltage/short-circuit current | approx. 8 V DC / approx. 8 mA |
| Switching point/switching hysteresis | 1.2 ... 2.1 mA / approx. 0.2 mA |
| Pulse/Pause ratio | ≥ 0.5 ms / ≥ 0.5 ms |
| Line fault detection | breakage $I \leq 0.1$ mA |
| Output | |
| Connection side | control side |
| Connection | terminals 10, 11, 12; 13, 14, 15 |
| Output | signal ; relay |
| Contact loading | 253 V AC/2 A/500 VA/cos ϕ min. 0,7; 125 V AC/4 A/500 VA cos ϕ min. 0,7; 40 V DC/2 A/80 W ohmic load |
| Energized/De-energized delay | approx. 10 ms / approx. 20 ms |
| Mechanical life | 10^7 switching cycles |
| Transfer characteristics | |
| Switching frequency | < 10 Hz |
| Galvanic isolation | |
| Output/power supply | basic insulation according to IEC 61140, rated insulation voltage 300 V _{eff} |
| Output/Output | functional insulation acc. to EN 50178, rated insulation voltage 300 V _{eff} |
| Indicators/settings | |
| Display elements | LEDs |
| Directive conformity | |
| Electromagnetic compatibility | |
| Directive 2014/30/EU | EN 61326-1:2013 (industrial locations) |
| Low voltage | |
| Directive 2014/35/EU | EN 61010-1:2010 |
| Conformity | |
| Degree of protection | IEC 60529 |
| Ambient conditions | |
| Ambient temperature | -25 ... 60 °C (-13 ... 140 °F) |
| Mechanical specifications | |
| Degree of protection | IP20 |
| Connection | screw terminals |
| Mass | approx. 410 g |
| Dimensions | 60 x 104 x 110 mm (2.4 x 4.1 x 4.3 inch) |
| Data for application in connection with hazardous areas | |
| EU-Type Examination Certificate | PTB 02 ATEX 2065 |
| Marking |  II (1)GD [EEx ia] IIC [circuit(s) in zone 0/1/2] |
| Input | Ex ia |
| Voltage U_o | 13.4 V DC |
| Current I_o | 31 mA |
| Power P_o | 145 mW (trapezoid characteristic curve) |
| Supply | |
| Maximum safe voltage U_m | 253 V AC (Attention! The rated voltage can be lower.) |
| Output | |
| Maximum safe voltage U_m | 253 V AC (Attention! The rated voltage can be lower.) |
| Galvanic isolation | |
| Input/Output | safe galvanic isolation acc. to EN 50020, voltage peak value 375 V |
| Input/power supply | safe galvanic isolation acc. to EN 50020, voltage peak value 375 V |
| Directive conformity | |
| Directive 2014/34/EU | EN 60079-0:2012+A11:2013 , EN 60079-11:2012 |
| General information | |
| Supplementary information | Observe the certificates, declarations of conformity, instruction manuals, and manuals where applicable. For information see www.pepperl-fuchs.com . |

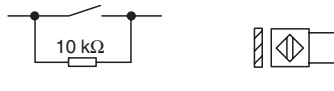
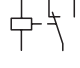
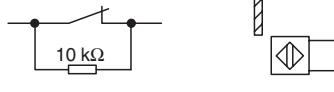

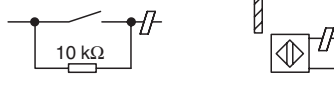


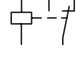
Release date 2017-08-09 15:02 Date of issue 2017-08-10 129198_eng.xml

Mode of Operation

Mode of operation without lead breakage detection

| Jumpers | Input | Output |
|--|--|---|
| Jumpers between terminals 3 and 4, terminals 6 and 7 |  |  Relay energized |
| | 0-Signal | |
| Jumpers between terminals 3 and 4, terminals 6 and 7 |  |  Relay de-energized |
| | 1-Signal | |
| Jumpers between terminals 2 and 3, terminals 7 and 8 |  |  Relay energized |
| | 1-Signal | |
| Jumpers between terminals 2 and 3, terminals 7 and 8 |  |  Relay de-energized |
| | 0-Signal | |

Mode of operation with lead breakage detection

| Jumpers | Input | Output |
|-----------------|--|---|
| Without jumpers |  |  Relay energized |
| | 0-Signal | |
| Without jumpers |  |  Relay de-energized |
| | 1-Signal | |
| Without jumpers |  |  Relay de-energized |
| | 0-Signal | |
| Without jumpers |  |  Relay de-energized |
| | 1-Signal | |

Release date 2017-08-09 15:02 Date of issue 2017-08-10 129198_eng.xml

Refer to "General Notes Relating to Pepperl+Fuchs Product Information".