



- Compact terminal housing
- For the connection of a reading head via spur line
- Optimal connection of data wires and shield

WCS-BT111



Technical data

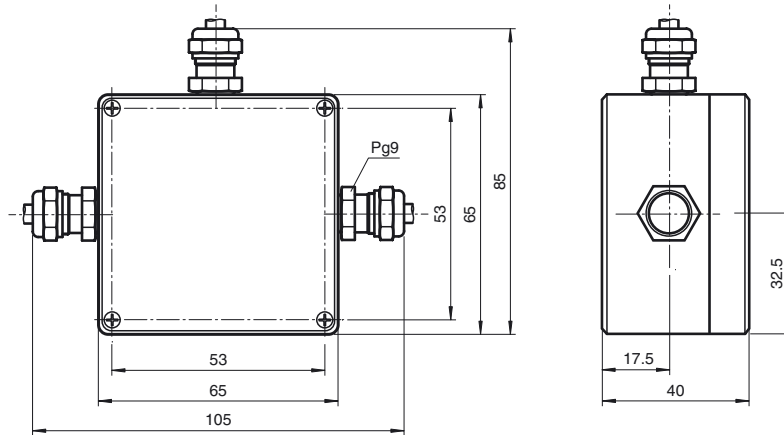
Ambient conditions

Operating temperature	-40 ... 70 °C (233 ... 343 K)
Relative humidity	90 % at 20 °C (293 K) DIN EN 60068-2-3, no moisture condensation

Mechanical specifications

Connection type	screw terminals , 16-pin
Cable diameter	5 ... 9 mm
Cable gland	PG9 screwed connection
Protection degree	IP65
Material	aluminium
Mass	200 g

Dimensions



Electrical connection

