

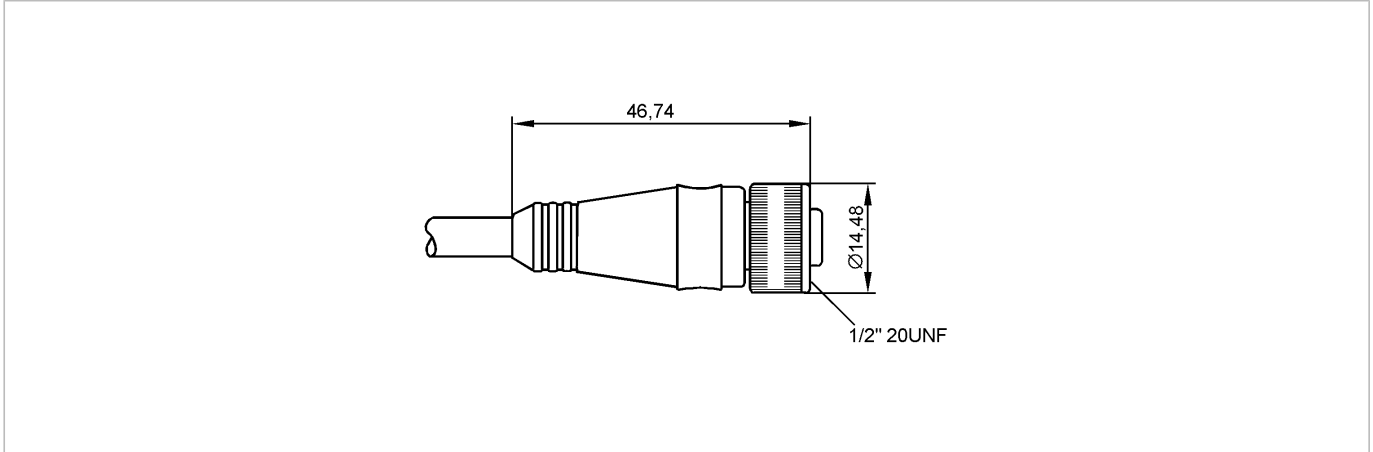
no longer available - archive entry

ecomat 400

W80185



Connection technology



Product characteristics

Socket

For sensors with
1/2" connector

Electrical data

Electrical design	AC/DC
Operating voltage [V]	300 AC/DC
Environment	
Ambient temperature [°C]	-20...105
Protection	IP 68

Mechanical data

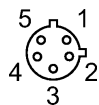
Design	straight
Material body	PVC
Material nut	diecast zinc

Electrical connection

Connection	PVC cable / 1.83 m; 5 x AWG 22 (5 x 0.34 mm ²); Ø 6.6 mm
Sheath color	yellow

Wiring

Core colors
GN green
RD red
RD/BK red/black
RD/WH red/white
RD/YE red/yellow



- 1 RD/WH
- 2 RD
- 3 GN
- 4 RD/YE
- 5 RD/BK

Remarks

Pack quantity [piece]	1
-----------------------	---

ifm efector, inc. • 1100 Atwater Drive • Malvern • PA 19355 — We reserve the right to make technical alterations without prior notice. — US — W80185 — 06.03.2003

no longer available - archive entry