

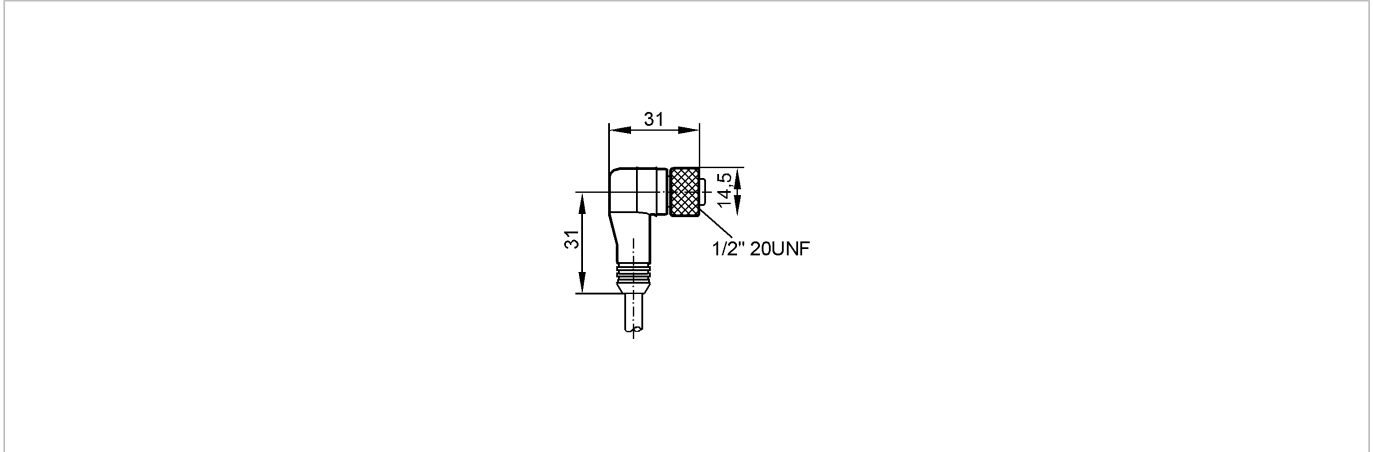
no longer available - archive entry

ecomat 400

W80176



Connection technology



Product characteristics

Socket

For sensors with
1/2" connector

Electrical data

Electrical design		AC/DC
Operating voltage [V]		250 AC/DC
Environment		
Ambient temperature [°C]		-20...80
Protection		IP 68

Mechanical data

Design		angled
Material body		TPU (urethane)
Material nut		zinc; epoxy coated

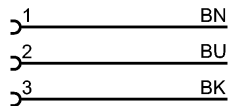
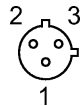
Electrical connection

Connection		SJOOW cable / 2 m; 3 x AWG 18 (3 x 0.75 mm ²) (42 x Ø 0.1 mm); Ø 6 mm
Sheath color		yellow

Wiring

Core colors

- BK black
- BN brown
- BU blue



Remarks

Pack quantity	[piece]	1
---------------	---------	---

ifm efector, inc. • 1100 Atwater Drive • Malvern • PA 19355 — We reserve the right to make technical alterations without prior notice. — US — W80176 — 22.08.2006

no longer available - archive entry